

EuroPro GNX-110-28



GNX-110-28

EuroPro™ works for serious cooks with decors vary from old-world tradition to sleek contemporary. Extra deep undermounts in heavy-grade stainless have practical corner drains that are out of the way for easy filling, stacking, or maneuvering large utensils

Gauge: 18

Base Cabinet Required: 33

Interior Dimensions: 27 5/8 x 19 11/16 x 11 3/16

Exterior Dimensions: 28 5/8 x 20 3/4 x 11 3/16

more Franke choices...



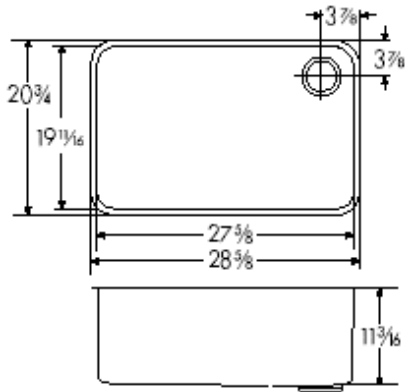
[GNX-110-16](#)



[GNX-110-20](#)



[GNX-110-18](#)



Accessories



[GN28-45SP](#)



[GN28-36C](#)