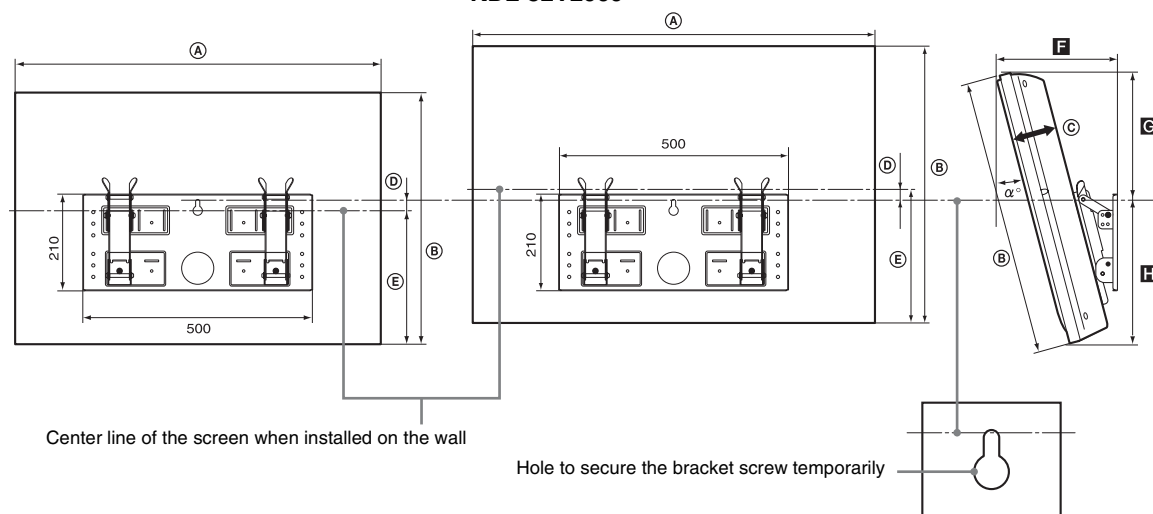


KDL-26S2000
KDL-26S2010
KDL-26S2020

KDL-32S2000
KDL-32S2010
KDL-32S2020
KDL-32V2000



TV Model	TV Dimensions Unit: mm					Length for each mounting angle Unit: mm				Weight (x 4)*2
	A	B	C	D	E	Mounting angle (α°)	F	G	H	
KDL-26S2000 KDL-26S2010 KDL-26S2020	658	470	94	22	265	0°	150	183	287	11 kg (44 kg)
						20°	257	140	316	
KDL-32S2000 KDL-32S2010 KDL-32S2020	792	546	99	19	304	0°	155	262	284	15 kg (60 kg)
						20°	288	213	316	
KDL-32V2000	792	546	99	19	304	0°	155	262	284	15 kg (60 kg)
						20°	291	213	310	

*1 Installation dimensions may differ according to how the TV is installed.

*2 The wall must be strong enough to support at least four times the weight of the TV that you are installing.

Installing the Wall-Mount Bracket

To Customers:

For product protection and safety reasons, Sony strongly recommends that wall-mounting of your TV be performed by Sony dealers or licensed contractors. Do not attempt to install it yourself.

Your KDL-26S2000/KDL-26S2010/KDL-26S2020/KDL-32S2000/KDL-32S2010/KDL-32S2020/KDL-32V2000 can be wall-mounted using SU-WL31 Wall-Mount Bracket (sold separately). Please provide your licensed contractor with this installation supplement as well as the Instructions (supplied with the SU-WL31 Wall-Mount Bracket). Read these documents carefully for safety and proper installation.

To Sony Dealers and Contractors:

Provide full attention to safety during the installation, periodic maintenance and examination of this product.



Installing the TV on a wall

The TV can be installed on a wall by attaching a Wall-Mount Bracket (sold separately). Verify your TV's model number and be sure to use the bracket specified for your model only. Refer to the Steps on this manual along with the Instructions supplied with the SU-WL31 Wall-Mount Bracket, to properly carry out the installation.

Sufficient expertise is required for installing this product, especially to determine the strength of the wall for withstanding the TV's weight. Be sure to entrust the attachment of this product to the wall to Sony dealers or licensed contractors and pay adequate attention to safety during the installation. Sony is not liable for any damage or injury caused by mishandling or improper installation.

Step 1: Checking the parts required for the installation

Open the Wall-Mount Bracket package and check the contents for all required parts along with the Instructions.

Step 2: Changing the position of the arm bases

Refer to the Instructions for the SU-WL31.

Step 3: Deciding on the installation location

Decide where you want to install your TV. Turn to the back cover of this manual for the TV installation dimensions and determine the location.

Refer to the Instructions for the SU-WL31.

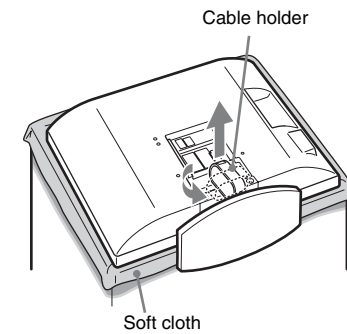
Step 4: Installing the Plate Unit on the wall

Refer to the Instructions for the SU-WL31.

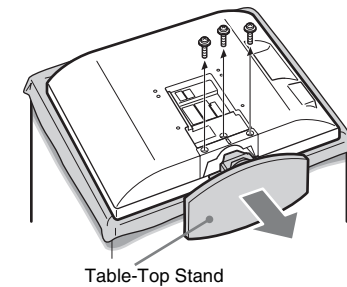
Step 5: Preparing for the installation of the TV

Before detaching the Table-Top Stand, disconnect all the cables from the TV.

- 1 Rotate the cable holder by 90 degrees, and pull it out.



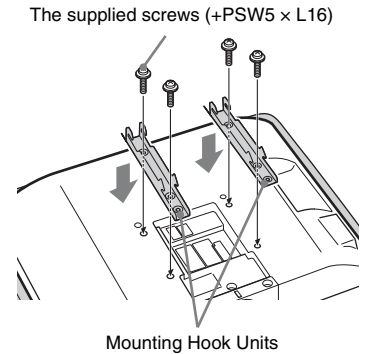
- 2 Remove the screws and detach the Table-Top Stand from the TV.



Notes

- Lay the display face down on a stable and level surface with the Table-Top Stand hanging over the edge of the surface. Having the display face and the base of the Stand on the same level surface will create an unstable working condition and can damage the TV.
- To prevent damaging the surface of the LCD display, place the TV on a soft cloth.

- 3 Align the holes on the Mounting Hook Units with the corresponding holes on the rear of the TV. Then secure them to the TV using four screws (supplied with SU-WL31).



Note

When using an electric screwdriver to tighten the screws, the torque must be approx. 2 N·m (20 kgf·cm).

Step 6: Installing the TV on the Plate Unit

Refer to the Instructions for the SU-WL31.

- 1 Connect the mains lead and cables to the corresponding sockets on the rear of the TV. For details on the cable connection, refer to the Operating Instructions for your TV.
- 2 Install the TV onto the Plate Unit.