



*Échelon™ Series*

**Full Overlay Drawer Panel  
Preparation and Installation  
Instructions for  
Models C02175DWR and 2175DWRR**

---

**[www.U-LineService.com](http://www.U-LineService.com)**

**Phone (414) 354-0300 • FAX (414) 354-7905  
Service & Parts Tech Lines Phone (800) 779-2547 • FAX (414) 354-5696  
[OnlineService@U-Line.com](mailto:OnlineService@U-Line.com)**

©2006 U-Line Corporation  
04/2006

## Full Overlay Drawer Panels

### Drawer Panel Preparation

Full overlay drawer panels completely cover the drawer fronts and handles to give a built-in appearance. Black units are shipped ready for full overlay installation.

*Note:* For standard installations, both drawers mount the same and a 1/2" gap is achieved between drawers.

1. Cut the overlay to the following dimensions.

Full Overlay Dimensions:

Width: 23-3/4"

Height: 14-3/4"

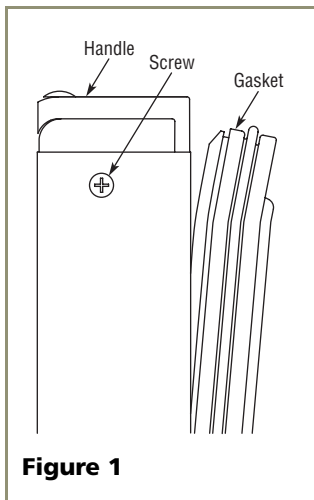
### IMPORTANT

The thickness of the wood overlay panel must be 3/4". The door panel must not weigh more than 20 lbs.

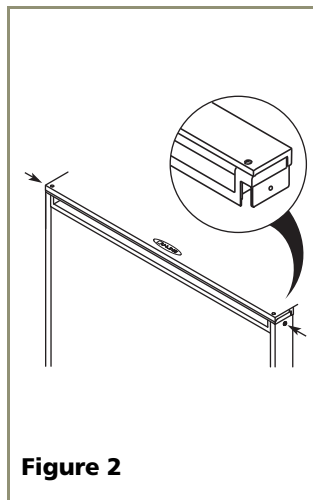
### Drawer Panel Installation

#### Removing Existing Drawer Fronts

1. Open drawer. Pull drawer gasket out of groove (top edge of drawer only). Start in the middle and pull outward, moving toward the edge (see **Figure 1**). This may take some force.
2. Remove and save the two screws located at the ends of the handle (see **Figure 2**). Remove the handle.



**Figure 1**



**Figure 2**

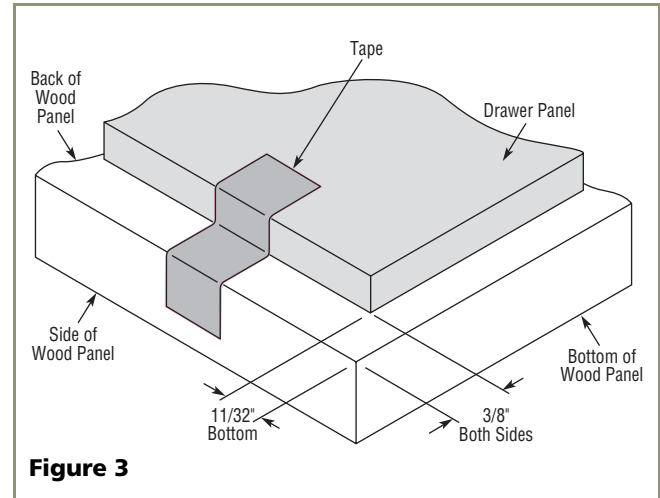
3. Remove existing panel and cardboard spacer. Discard the spacer.

### Attaching the Full Overlay Panel

1. If user-supplied cabinet handles will be used, attach their hardware to the overlay panel at this time.

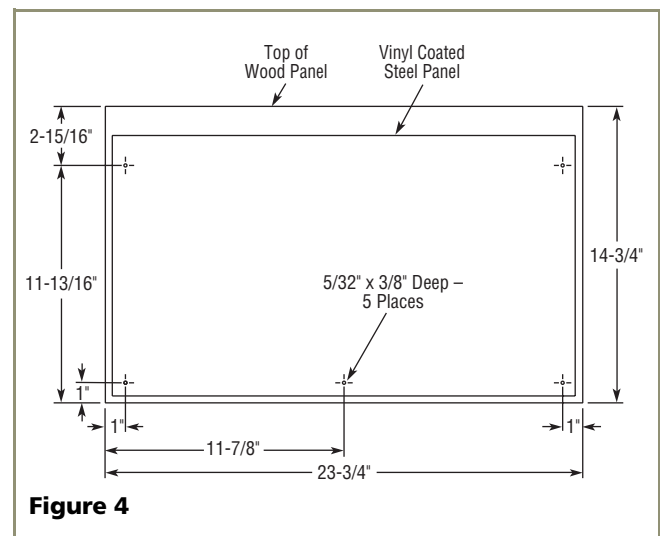
### IMPORTANT

User-supplied cabinet handles **MUST** be counter bored to make sure mounting hardware is below surface of overlay panel. Failure to do so can cause damage to overlay panel and/or drawer. Overlay panel will not sit flush to drawer if mounting hardware is not counter bored.



**Figure 3**

2. Place and tape the existing drawer panel on the back of the overlay panel (see **Figure 3**).
3. Drill the five holes (5/32" drill 3/8" deep) through both panels according to **Figure 4**.

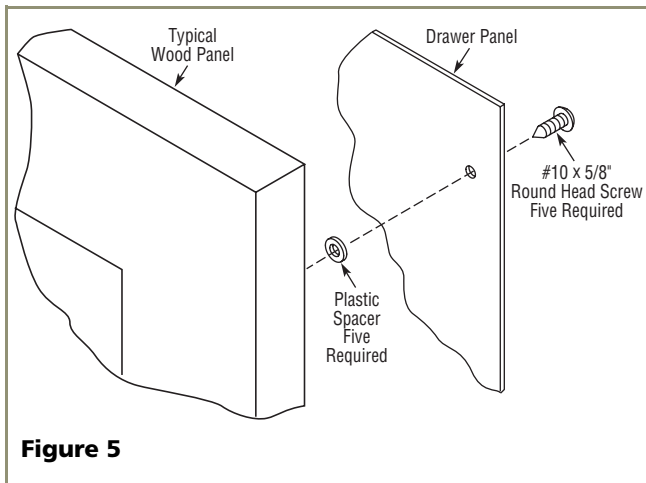


**Figure 4**

**CAUTION**

It is important to ensure that all drilled holes are drilled to the correct depth in order to avoid splits in the wood when hardware is installed.

4. Remove tape adjoining the panels and enlarge the five holes in the drawer panel using a 0.201" (#7) drill.
5. Attach the drawer panel to the overlay panel using #10 x 5/8" wood screws and nylon spacers. The nylon spacers fit between the overlay panel and the door panel as shown in **Figure 5**. The spacers allow the original drawer panel to slide back into the 1/4"-thick drawer front reveal (channel).



**IMPORTANT**

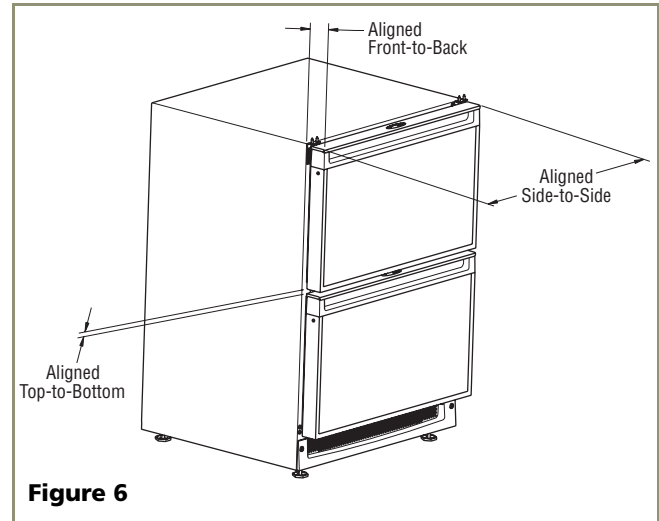
Drawer panel and overlay panel must be aligned properly or the drawer will not operate correctly.

**Assembling the Drawer Front**

1. Install the assembled panel by sliding the original door panel back into the drawer front.
2. Replace the handle assembly and secure with the two screws removed in Step 2 under *Removing Existing Drawer Fronts*.
3. Starting at the corners and working toward the center, push the drawer gasket back into place.

**Checking Drawer Alignment**

The unit's drawers are aligned at the factory before shipment. However, their alignment could have been disturbed during shipment or during overlay panel installation.



See **Figure 6**. Check each drawer to confirm that it is aligned:

- **Side-to-Side** — When viewed from the top, the drawer front should be square with the sides of the cabinet.
- **Front-to-Back** — When viewed from the side, the drawer front should be straight with the cabinet's sides, not cocked forward or back.
- **Top-to-Bottom** — When viewed from the front, the drawer should be level horizontally.

If either drawer is not aligned, carefully follow instructions to remove that drawer, make the necessary adjustment and re-install the drawer.

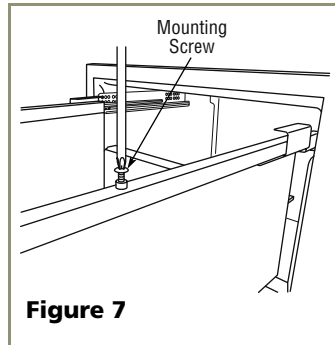
## Adjusting Drawer Alignment

### **WARNING**

**SHOCK HAZARD — The unit must be unplugged from the wall outlet during drawer removal, adjustment and re-installation.**

### **Drawer Removal**

1. Confirm that the unit is unplugged from wall outlet.
2. Unplug the drawer's connection wiring (top drawer only).
3. Remove the mounting screws. See **Figure 7**.
4. Pull the drawer completely out of the unit.



**Figure 7**

### **CAUTION**

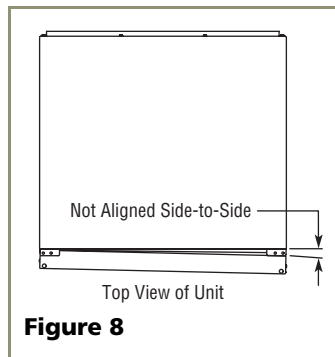
Use care when handling the drawer. Drawer edges, drawer rail and the unit's slide may be sharp.

### **IMPORTANT**

Drawer adjustments are made by moving the slide that carries the drawer's rail. Minor adjustments may be made by loosening one of the slide's mounting screws, adjusting the slide and retightening the screw. Severe adjustments may be made by removing the slides' mounting screws, drilling new mounting holes and remounting the slide.

### **Side-to-Side Adjustment**

See **Figure 8**. The drawer will need a Side-to-Side Adjustment if, when viewed from the top, the drawer front is not square with the sides of the cabinet. This is caused by one of the slides being mounted too far forward on the unit's liner.

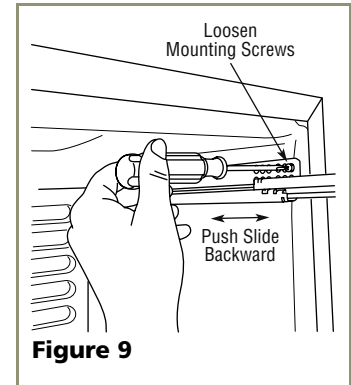


**Figure 8**

### **Minor Adjustment:**

*Note:* The mounting holes on the slide are slightly larger than the screws' diameter.

1. Loosen the slide's mounting screws.
2. Push the slide backward.
3. Retighten the screws. See **Figure 9**.

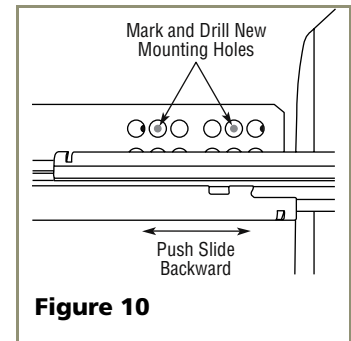


**Figure 9**

### **Severe Adjustment:**

*Note:* The slides have extra mounting holes that may be used.

1. Remove the slide's mounting screws.
2. Reposition the slide so it is the same distance from the front of the liner as the other slide. Measure to confirm.
3. Mark new drilling holes using different sets of mounting holes on the slide. See **Figure 10**.



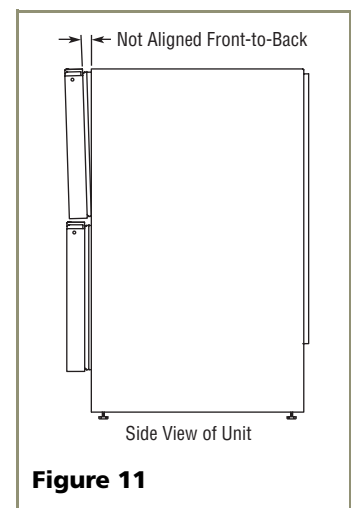
**Figure 10**

*Note:* Front location holes are shown. Corresponding rear holes will also need to be marked.

4. Drill all the new holes with a #30 drill bit.
5. Remount the slide.

### **Front-to-Back Adjustment**

See **Figure 11**. The drawer will need a Front-to-Back Adjustment if, when viewed from the side, the drawer front is cocked forward or back. This is caused by the front slide mountings not being level with the rear slide mountings.

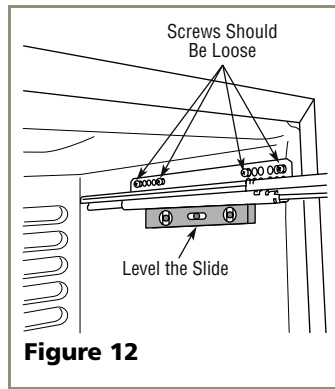


**Figure 11**

**Minor Adjustment:**

*Note:* The mounting holes on the slide are slightly larger than the screws' diameter.

1. Loosen one slide's mounting screws.
2. Level the slide.
3. Retighten the screws. See **Figure 12**.
4. Repeat procedure for the other slide.

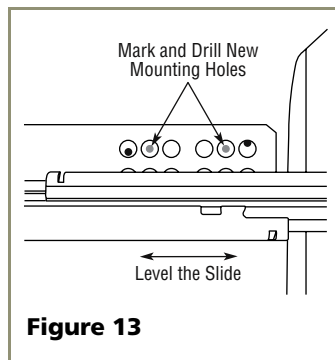


**Figure 12**

**Severe Adjustment:**

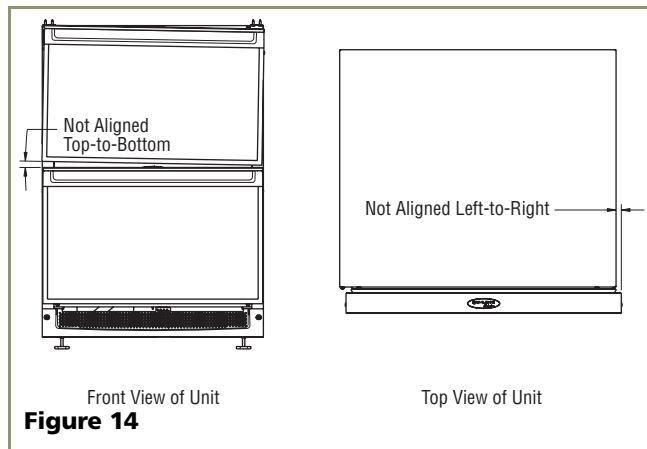
*Note:* The slides have extra mounting holes that may be used.

1. Loosen one slide's rear mounting screws.
2. Remove the slide's front mounting screws.
3. Reposition the slide so it is level.
4. Mark new front drilling holes using a different set of mounting holes on the slide. See **Figure 13**.
5. Drill the new holes with a #30 drill bit.
6. Remount the slide.
7. Repeat procedure for the other slide.



**Figure 13**

**Top-to-Bottom (and Left-to-Right) Adjustment**



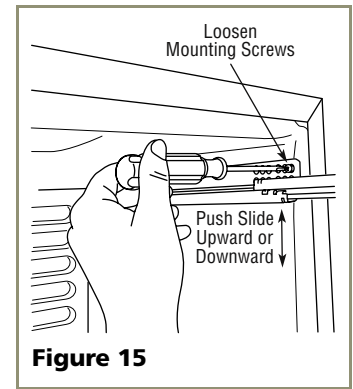
**Figure 14**

See **Figure 14**. The drawer will need a Top-to-Bottom Adjustment if, when viewed from the front, the drawer is not level horizontally. Viewed from the top, one side will protrude. This is caused by one of the slides being mounted higher than the other slide on the unit's liner.

**Minor Adjustment:**

*Note:* The mounting holes on the slide are slightly larger than the screws' diameter.

1. Loosen one slide's mounting screws.
2. Push the slide upward or downward to match the position of the other slide.
3. Retighten the screws. See **Figure 15**.
4. Repeat the procedure with the other slide if necessary.

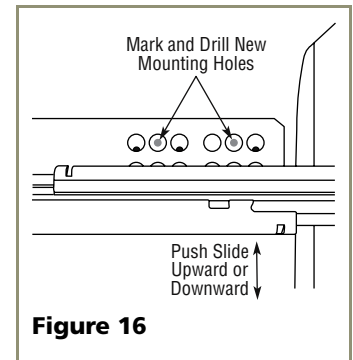


**Figure 15**

**Severe Adjustment:**

*Note:* The slides have extra mounting holes that may be used.

1. Remove one slide's mounting screws.
2. Reposition the slide so it is the same distance from the bottom of the liner as the other slide. Measure to confirm.
3. Mark new drilling holes using different sets of mounting holes on the slide. See **Figure 16**.



**Figure 16**

*Note:* Front location holes are shown. Corresponding rear holes will also need to be marked.

4. Drill all the new holes with a #30 drill bit.
5. Remount the slide.

**Re-installation of Drawer**

**CAUTION**

Use care when handling the drawer. Drawer edges, drawer rail and the unit's slide may be sharp.

1. Set the drawer's rails onto the slides.
2. Re-install the rails' mounting screws. See **Figure 7** on **Page 4**.
3. Plug in the drawer's connection wiring (top drawer only).

## *Échelon™ Series*

---

### Who to Call

#### Service Information

If the need for service arises, contact the dealer from whom the unit was purchased. State the Model Number and Serial Number and explain the problem. The Model and Serial Number plate is located inside unit at upper right hand corner.

If you need to locate a service company, you can go online at **[www.U-LineService.com](http://www.U-LineService.com)** and search for a service company by zip code.

**For more than four decades, U-Line has distinguished itself as the leader in built-in undercounter ice making, refrigeration and wine storage appliances.**

*Échelon™* SERIES / *O r i g i n s* SERIES

U-Line Corporation, located in Milwaukee, WI, is a family operated manufacturer of built-in undercounter icemakers, Combo® icemaker/refrigerators, Wine Captain® wine storage units, refrigerators, refrigerated drawers and refrigerator/freezers.