

Installation Instructions

If you have questions, call 800.626.2000 or visit our website at: **www.monogram.com**

Outdoor/Indoor Refrigerator

ZDOD240

Design Guide
With Installation Instructions



Monogram.[®]

Safety Information

BEFORE YOU BEGIN:

Read these instructions completely and carefully.

IMPORTANT – Save these instructions for local inspector's use.

IMPORTANT – Observe all governing codes and ordinances.

Note to Installer – Be sure to leave these instructions with the Consumer.

Note to Consumer – Keep these instructions with your Owner's Manual for future reference.

WARNING – This appliance must be properly grounded. See page 5.

AVERTISSEMENT –

Cet appareil doit être correctement mis à la terre. Consulter page 5.

If you received a damaged Outdoor/Indoor Refrigerator, you should immediately contact your dealer or builder.

Skill Level – Installation requires basic mechanical skills. Proper installation is the responsibility of the installer. Product failure due to improper installation is not covered under the GE Appliance Warranty.

WARNINGS:

- Use this appliance only for its intended purpose.
- Immediately repair or replace electrical service cords that become frayed or damaged.
- Unplug the unit before cleaning or making repairs.
- Repairs should be made by a qualified service technician.

AVERTISSEMENT :

- Il ne faut utiliser cet appareil que pour l'usage pour lequel il a été construit.
- Il faut réparer ou remplacer immédiatement tout cordon d'alimentation électrique effiloché ou endommagé.
- Débrancher le bar ou le réfrigérateur à vin avant le nettoyage ou toute intervention.
- Les réparations doivent être faites par un technicien qualifié.

For Monogram local service in your area, call 1.800.444.1845

For Monogram service in Canada, call 1.888.880.3030

For Monogram Parts and Accessories, call 1.800.626.2002.

www.monogram.com

KEY EJECTING LOCK

(NOTE: Two keys are included.)

Keep the keys out of reach of children and away from the refrigerator in a safe and secure place.

The key for the spring-loaded lock is automatically ejected. The key will not remain in the lock while the door is opened or closed.

CAUTION: Before closing the door, make sure the lock pin does not protrude beyond the top of the door, to prevent potential damage to the cover or cabinetry.

ATTENTION : Avant de refermer la porte, assurez-vous que le dispositif de retenue ne dépasse pas le haut de la porte, afin d'éviter d'endommager le couvercle ou l'armoire.

Important Information

CONTENTS

Important Information

Caring for Your Stainless Steel	3
Tools, Hardware	3

Design Guide

The Installation Space	4
Product Clearances and Location Requirements	4
Preparation for Built-In Under-Counter Installations Only	4

Installation Instructions

Grounding the Product	5
Step 1, Remove Packaging	6
Step 2, Leveling	6
Step 3, Connect Power	6
Step 4, Slide Product into Cutout	6
Step 5, Set Temperature Controls	6
Staining Wood Drawer Fronts	7

CARING FOR YOUR STAINLESS STEEL

- Before installation or first use, we strongly advise you polish the stainless steel exterior and handle with a commercially available stainless steel cleaner such as Stainless Steel Magic™. To preserve and protect the fine finish we also strongly advise that you apply stainless steel cleaner monthly.

All stainless steel can be damaged by the following substances. Care must be taken not to allow these substances to come in contact with your Outdoor/Indoor Refrigerator. If any of these do get on your unit wash and clean the unit immediately (see the Care and Cleaning section in the Owner's Manual).

- Battery Acid
- Pool Chemicals (such as Chlorine and Bromine)
- Lawn Fertilizer
- Ice Melting Salts
- Creosole
- Iodine
- Pickling Juice
- Urine

The following naturally occurring materials can cause damage to the stainless steel finish. If any of these substances do get on your unit wash and clean the unit immediately (see the Care and Cleaning section in the Owner's Manual).

- Bird Droppings
- Tree Sap
- Sea Water

TOOLS REQUIRED

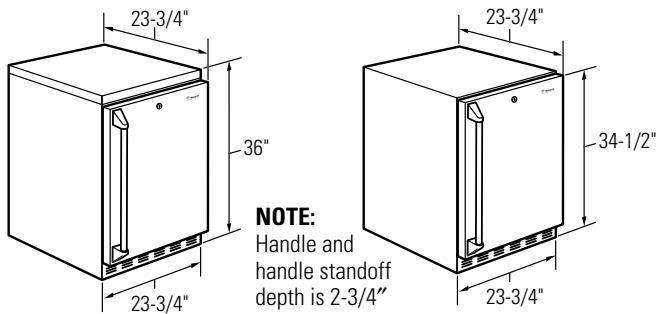
- Heavy-duty work gloves
- #2 Phillips screwdriver (for built-in installations only)
- Adjustable wrench

PARTS SUPPLIED

- Two keys

Design Guide

THE INSTALLATION SPACE

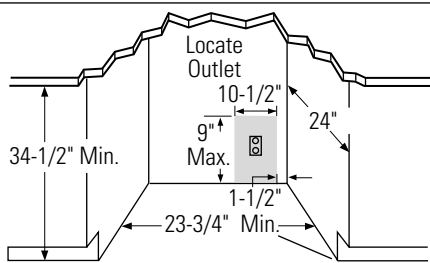


Free-Standing – Use canopy top

Built-In – Remove canopy top (if needed)

Choose the location:

- This product has been designed as a free-standing unit; however, if desired, it may also be built-in.
- These products may be closed in on the top and three sides as long as the front is unobstructed for air circulation and proper access to the door.
- Do not operate these products where the temperature will go below 45°F (7°C) or above 120°F (49°C).
- Unit must be installed on a structurally sound and level surface strong enough to support a fully loaded refrigerator, or approx. 250 lbs.



The cutout depth should be 24"

The cutout dimensions shown allow for a full door swing and access to the pull-out racks when installed in standard 24" deep cabinets.

- The Outdoor/Indoor Refrigerator can be installed free-standing.
- If installing between frameless cabinets, a 1/2" wide filler strip or side panel may be required on the hinge side. The filler strip will act as a spacer between the case and adjacent cabinet door swing. The width of the opening must include the filler panels.

NOTE: In a standard 24" opening, the door will protrude 1-1/2" forward of the surrounding cabinets.

Additional Specifications

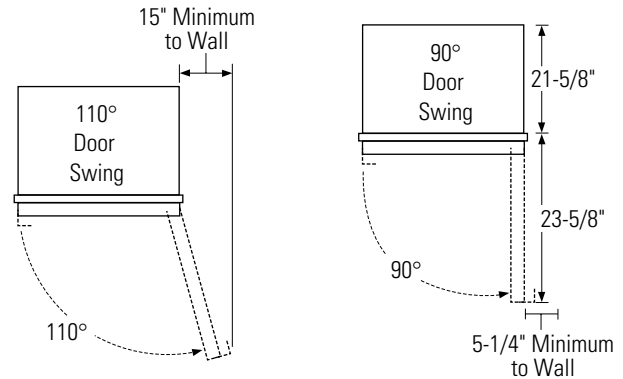
- A 120 volt 60Hz., 15 or 20 amp power supply is required. An individual properly grounded branch circuit or circuit breaker is recommended. Install a properly grounded 3-prong electrical receptacle recessed into the back wall as shown. Electrical must be located on rear wall as shown. **THIS PRODUCT MUST BE CONNECTED TO A POWER SOURCE WITH GROUND FAULT CIRCUIT INTERRUPTER (GFCI) PROTECTION WHEN INSTALLED IN AN OUTDOOR LOCATION. LOCAL CODES MAY REQUIRE A SEPARATE CIRCUIT.**

PRODUCT CLEARANCES AND LOCATION REQUIREMENTS

The Outdoor/Indoor Refrigerator is factory set for a 110° door swing.

When installed in a corner:

- Allow 5-1/4" min. clearance on the **hinge side** for the 90° door swing and to allow racks to slide out.
- Allow 15" minimum clearance on the **hinge side** for a full 110° door swing.
- Test the door swing. Carefully open and close the door. The door should not rub or catch on adjacent cabinetry. Adjust if the door makes contact with cabinetry.



PREPARATION FOR BUILT-IN UNDER-COUNTER INSTALLATIONS ONLY

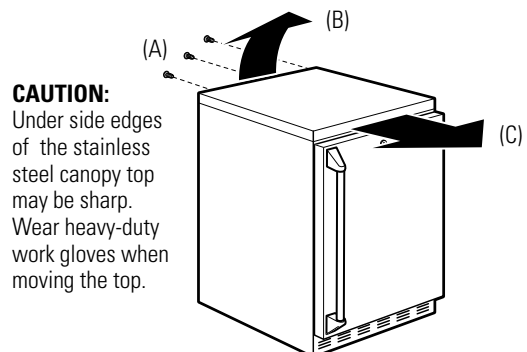
The top canopy may be removed when installing under a countertop.

- Remove the three screws from the back of the top canopy (A).
- Using heavy-duty work gloves, lift up on the top canopy back (B) and slide it forward until it unlatches from the unit (C).
- Lift the top canopy up and off of the unit.

NOTE: Keep the top canopy and screws for future free-standing installations.

NOTE: When installing the unit in a free-standing configuration, the top canopy must be left in place.

- If replacing the top canopy make sure the three latches in the front slide into the front lip of the canopy before pushing the canopy to the rear of the unit.



Installation Instructions

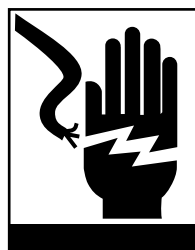
GROUNDING THE OUTDOOR/ INDOOR REFRIGERATOR

WARNING –

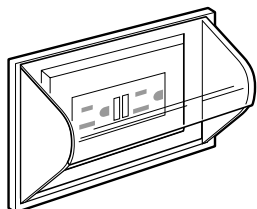


THIS PRODUCT MUST BE CONNECTED TO A POWER SOURCE WITH GROUND FAULT CIRCUIT INTERRUPT (GFCI) PROTECTION WHEN INSTALLED IN AN OUTDOOR LOCATION. LOCAL CODES MAY REQUIRE A SEPARATE CIRCUIT.

AVERTISSEMENT –



CE PRODUIT DOIT ÊTRE CONNECTÉ À UNE SOURCE D'ALIMENTATION À DISJONCTEUR DE FUITE À LA TERRE, EN CAS D'INSTALLATION EN PLEIN-AIR. LES RÉGLEMENTATIONS LOCALES PEUVENT EXIGER UN CIRCUIT DISTINCT.

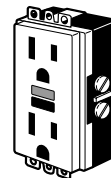


IF YOU ARE UNCERTAIN ABOUT THE GFCI PROTECTION ON THE POWER SOURCE TO WHICH YOU ARE CONNECTING THIS APPLIANCE, PLEASE CONTACT A PROFESSIONAL ELECTRICIAN FOR VERIFICATION.

GROUNDING THE OUTDOOR/ INDOOR REFRIGERATOR (CONT.)

IMPORTANT: PLEASE READ CAREFULLY. FOR PERSONAL SAFETY, THIS APPLIANCE MUST BE PROPERLY GROUNDED.

The power cord of this appliance is equipped with a 3-prong (grounding) plug which mates with a standard 3-prong (grounding) wall receptacle to minimize the possibility of electric shock hazard from this appliance. Have the wall outlet and circuit checked by a qualified electrician to make sure the outlet is properly grounded.



Where a standard 2-prong wall outlet is encountered, it is your personal responsibility and obligation to have it replaced with a properly grounded 3-prong wall outlet.

- **DO NOT**, UNDER ANY CIRCUMSTANCES, CUT OR REMOVE THE THIRD (GROUND) PRONG FROM THE POWER CORD.
- **DO NOT USE AN ADAPTER PLUG TO CONNECT THE REFRIGERATOR TO A 2-PRONG OUTLET.**
- **DO NOT USE AN EXTENSION CORD WITH THIS APPLIANCE.**
- **DO NOT PLACE THE UNIT IN STANDING WATER OR ALLOW THE POWER CORD TO BE IMMERSED.**



Installation Instructions

STEP 1 REMOVE PACKAGING

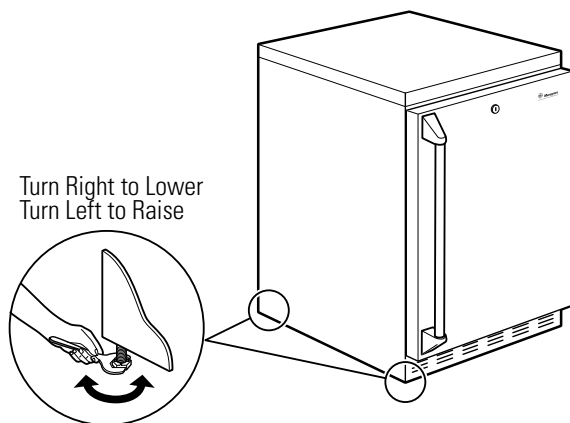
- Remove corner blocks and foam drawer stops.
- Remove all packing material, tape and protective plastic coverings.

CAUTION: Small objects are a choke hazard for children. Remove and discard any parts not used.

ATTENTION : Les petits objets peuvent étrangler les enfants. Il faut jeter toutes les pièces qui ne sont pas utilisées.

STEP 2 LEVEL

- Use an adjustable wrench to turn and raise or lower the leveling legs.
- Measure floor to countertop height inside the opening. Adjust leveling legs until the product is approximately 1/8" less than countertop height.



INSTALLATION TIP:

Measure floor to underside of countertop inside the opening.

- If the room floor is higher than the floor inside the opening, adjust the rear leveling legs to approximately 1/8" less than the opening height. Screw front leveling legs all the way in to shorten the height at the front. This will allow you to slightly tip the unit into the opening. Once the unit is in the correct position, the front legs can be adjusted to level the product.

STEP 3 CONNECT POWER

- If the refrigerator is used outdoors, plug the power cord into a GFCI receptacle.
- Check to make sure power is on by opening the door to see if interior light turns on.
- The interior fan runs at all times except when the door is open. See the the Owner's Manual for further explanation.

STEP 4 SLIDE PRODUCT INTO THE CUTOUT

CAUTION: Do not push against the door with your knees. Do not push or lift the unit by the door handle. Damage may occur!

ATTENTION : Ne poussez jamais la porte avec vos genoux. Ne poussez jamais votre appareil ou ne le soulevez jamais par la poignée de porte. Vous pouvez l'endommager.

- Open the door and gently push the unit back into the opening with your hands against the sides. Be careful not to entangle power cord.
- In a standard 24" opening, the door will protrude 1-1/2" forward of the surrounding cabinets.
- Check again to be sure the unit is level.
- If the unit is installed under a countertop, adjust the leveling legs until the unit is resting firmly against the bottom of the countertop.
- If alignment with adjacent cabinetry is an issue, use a shim to secure the unit against the underside of the countertop.
- Test the door swing. Carefully open and close the door. The door should not rub or catch on adjacent cabinetry. Notify the installer if the door makes contact with cabinetry.

STEP 5 SET TEMPERATURE CONTROLS

- The temperature controls are preset. Refer to the Owner's Manual for more information. Allow 12–24 hours for temperature to stabilize.

NOTE: The Outdoor/Indoor Refrigerator operates very quietly. You may not notice the unit running, and when first installed, the fans and motor may not come on immediately—this is normal. If the display is lit and the light is working, the unit is operating.

Installation Instructions

STAINING WOOD DRAWER FRONTS

The drawer fronts are unfinished cherry wood. During use, oil from hands may accumulate and stain the wood.

- The drawer fronts may be stained and sealed to match adjacent cabinetry.

- Apply the stain and sealer according to the manufacturer's instructions. To avoid unpleasant odor, keep the door open to ventilate and allow the stain/sealer to dry completely before using the product.

NOTE: While performing installations described in this book, safety glasses or goggles should be worn.

For Monogram® local service in your area, call 1.800.444.1845.

NOTE: Product improvement is a continuing endeavor at General Electric. Therefore, materials, appearance and specifications are subject to change without notice.

Pub. No. 31-51542-1
Part No. 197D5893P001

02-04 JR

Printed in Slovenia



Monogram.®

GE Consumer & Industrial
Louisville, KY 40225

©2004 GE Company