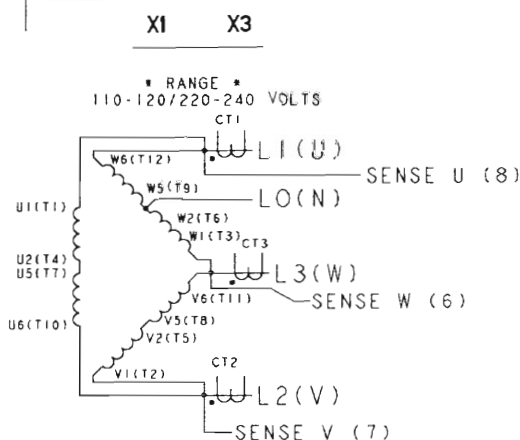


YD GENERATORS

3 PHASE RECONNECTABLE, 12 LEAD

CURRENT TRANSFORMER SECONDARY CONNECTION



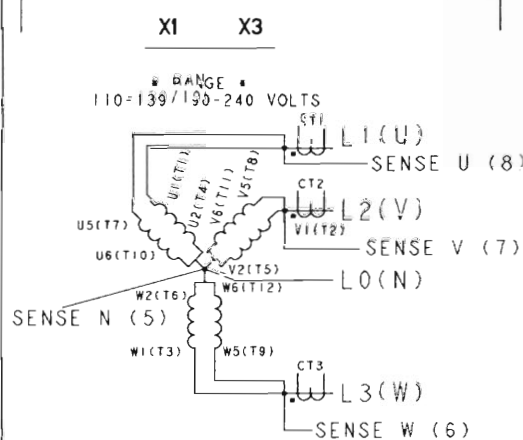
SERIES DELTA  
3 PHASE 4 WIRE  
OUTPUT TERMINALS  
U V W,N.

NOTE SENSE LEAD N IS NOT USED.  
TAPE END AND TIE BACK

- 01

FEATURE CODE	VOLTAGE	50HZ	60HZ
R079	100/200	X	X
R028	110/220	X	-
R071	115/230	X	-
R106	120/240	X	X

CURRENT TRANSFORMER SECONDARY CONNECTION

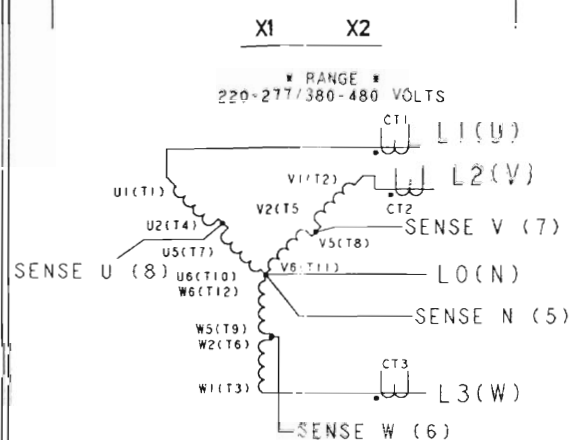


PARALLEL WYE (STAR)  
3 PHASE 4 WIRE  
OUTPUT TERMINALS  
U, V, W, N

- 02

FEATURE CODE	VOLTAGE	50HZ	60HZ
R004	110/190	X	-
R050	115/200	X	-
R098	120/208	X	X
R020	127/220	X	X
R067	139/240	X	X

CURRENT TRANSFORMER SECONDARY CONNECTION



SERIES WYE (STAR)  
3 PHASE 4 WIRE  
OUTPUT TERMINALS  
U, V, W, N

- 03

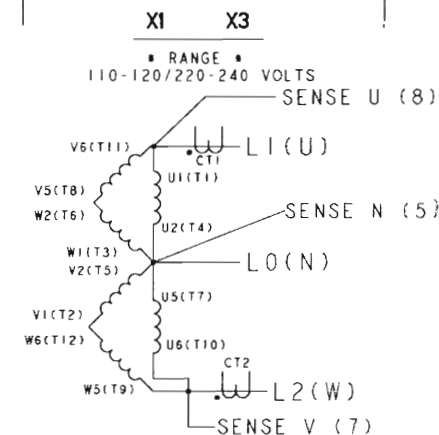
FEATURE CODE	VOLTAGE	50HZ	60HZ
R099	220/380	X	-
R029	230/400	X	-
R003	240/416	X	X
R023	255/440	X	X
R002	277/480	X	X

- NOTES:
- UVW PHSE SEQUENCE WITH C.W. ROTATION FACING DRIVE END
  - AC HARNESS LEAD MARKING.

LABEL OR COLOR CODE	
CT1-X1	PINK
CT1-X2/X3	GRAY
CT2-X1	PURPLE
CT2-X2/X3	GRAY
CT3-X1	ORANGE
CT3-X2/X3	GRAY
SENSE N(5)	WHITE
SENSE W(6)	BLUE
SENSE V(7)	RED
SENSE U(8)	BLACK
X-(T1)	YELLOW
XX-(T2)	YELLOW/BLACK

1 PHASE RECONNECTABLE, 12 LEAD

CURRENT TRANSFORMER SECONDARY CONNECTION



DOUBLE DELTA  
1 PHASE 3 WIRE  
OUTPUT TERMINALS  
U, W, CENTER TAP N.

NOTE SENSE LEAD W IS NOT USED  
TAPE END AND TIE BACK.

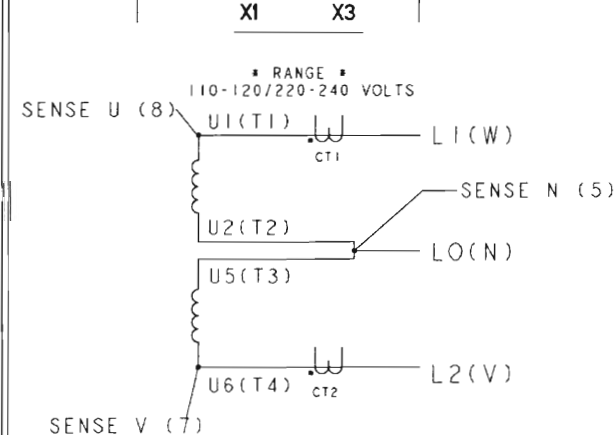
- 04

FEATURE CODE	VOLTAGE	50HZ		60HZ	
		2/3 OUTPUT	FULL OUTPUT	2/3 OUTPUT	FULL OUTPUT
R046	110/220	X	X	-	-
R041	115/230	X	X	-	-
R104	120/240	X	X	X	X

TABULATION	
0630_2796_01	FRD19319
0630_2796_02	FRD19959
0630_2796_03	FRD19959
0630_2796_04	FRD19319
0630_2796_05	FRD19319
0630_2796_06	FRD22249

1 PHASE NON-RECONNECTABLE, 4 LEAD

CURRENT TRANSFORMER SECONDARY CONNECTION



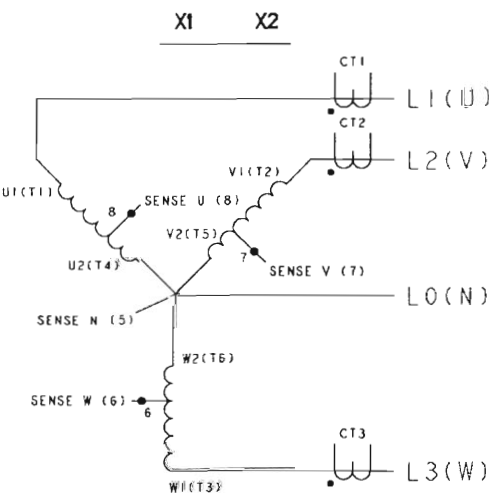
1 PHASE 3 WIRE  
OUTPUT TERMINALS  
W, V, CENTER TAP N

NOTE SENSE LEAD W IS NOT USED  
TAPE END AND TIE BACK

- 05

FEATURE CODE	VOLTAGE	50HZ	60HZ
R054	100/200	X	-
R046	110/220	X	-
R041	115/230	X	-
R104	120/240	X	X

347/600V 60HZ



- 06

FEATURE CODE	VOLTAGE	50HZ	60HZ
R114	347/600	-	X

REV	DATE	BY	CHKD	APP'D	DESCRIPTION
1	01-30-04	D. CRANE			PRODUCTION RELEASE
2	01-30-04	D. GILBERT			WYE (STAR) WAS STAR ON -02
3	01-30-04	D. GILBERT			WYE (STAR) WAS STAR ON -03
4	01-30-04	D. GILBERT			ADD 0630_2796_06

TOLERANCE UNLESS OTHERWISE SPECIFIED	QTY	ITEM	PART NO	DATE	DESCRIPTION OR MATERIAL
±0.13	1			01-30-04	
±0.25	1			01-30-04	
±0.38	1			01-30-04	

SCALE	DATE	BY	CHKD	APP'D	DESCRIPTION
1:1	01-30-04	D. CRANE			CUMMINS POWER GENERATION
1:1	01-30-04	D. GILBERT			WD-GENSET (RECONNECT)