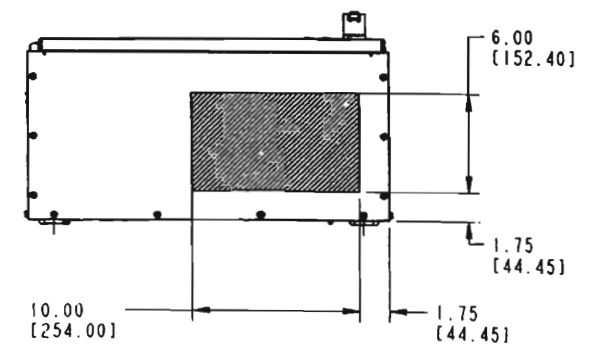
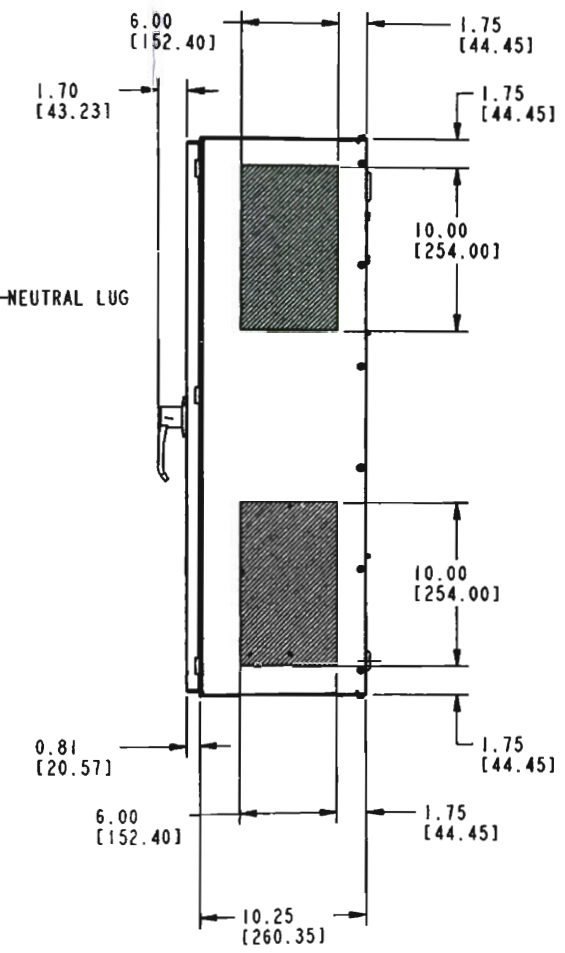
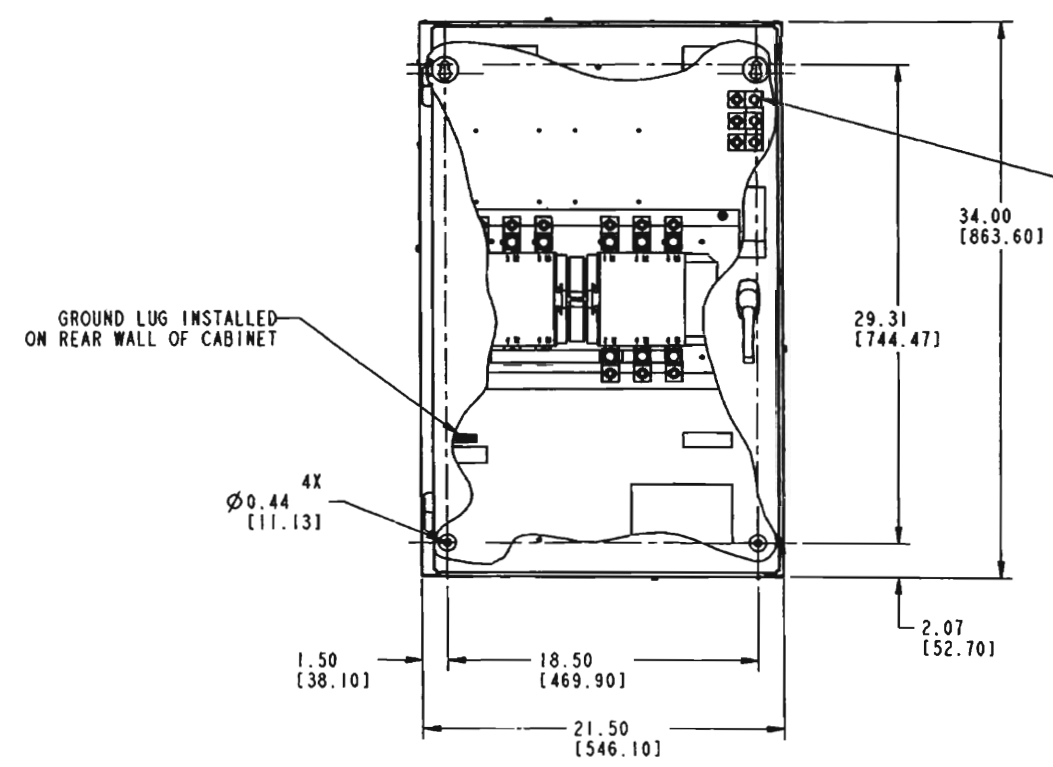
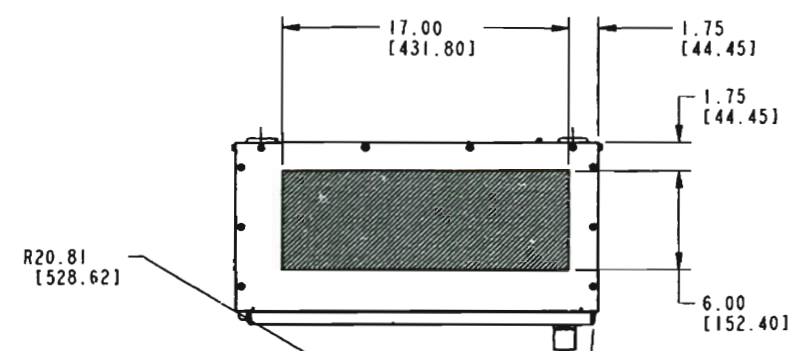


0310_0925 D

CR NO.	LTG	NO.	REV	DATE	APPROVED	DATE
72207	A	1	PRODUCTION RELEASE		TAS	SMITH 11-06-95



- NOTES:
- U.L. CABINET: TYPE I.
 - APPROX WEIGHT: 155 LBS.
MASS: 70.31 Kg
 - DIMENSIONS IN [ARE METRIC.
 - LUG CAPACITY:
- | SWITCH SIZE | NUMBER OF CABLES | CABLE SIZE |
|-------------|------------------|---------------------|
| 200 AMP | 1 | 300 MCM-6 AWG CU/AL |
| 260 AMP | 1 | 400 MCM-6 AWG CU/AL |
| GND LUG | 1 | 4-14 AWG CU |
- USE SEPARATE CONDUIT FOR CONTROL WIRING & POWER WIRING. DO NOT COMBINE.
 - SHADED AREA INDICATES WIRING & CABLE ENTRANCE AREA. DO NOT INSTALL OUTSIDE OF SHADED AREA.
 - WIRE BENDING SPACE CONFORMS TO NEC TABLE 373-6 (B).
 - REFER TO NATIONAL ELECTRIC CODE, ARTICLE 110-16 WHICH STATES THE REQUIREMENT FOR THE MINIMUM CLEAR SPACE IN FRONT OF THIS UNIT.

CLASSIFICATION OF CHARACTERISTICS

CRITICAL ●

MAJOR ○

MINOR (NONE)

LINE BELOW SYMBOL ● APPLIES TO UPPER LIMIT

LINE ABOVE SYMBOL ○ APPLIES TO LOWER LIMIT

NO LINE WITH SYMBOL APPLIES TO BOTH LIMITS

KEY INSTRUCTION (NO TOLERANCE)

APPROVED L. SMITH

DATE 11-06-95

METRIC DWG
ProENGINEER

REV	DATE	DESCRIPTION
1	11-06-95	ISSUED FOR PRODUCTION
2	11-06-95	REVISED
3	11-06-95	REVISED

DESIGNED BY	T. SORENSEN	DATE	11-06-95
CHECKED BY	J. JANUARY	DATE	11-06-95
APPROVED BY	L. SMITH	DATE	11-06-95

PROJECT NO.	LT200-260
DATE	11-06-95
SCALE	1:1

Minnesota, Minnesota 55432

OUTLINE-CONTROL_BOX

0310_0925