

0500_3231

6

5

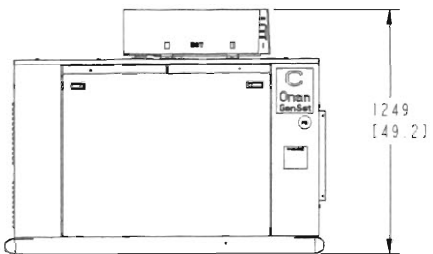
4

3

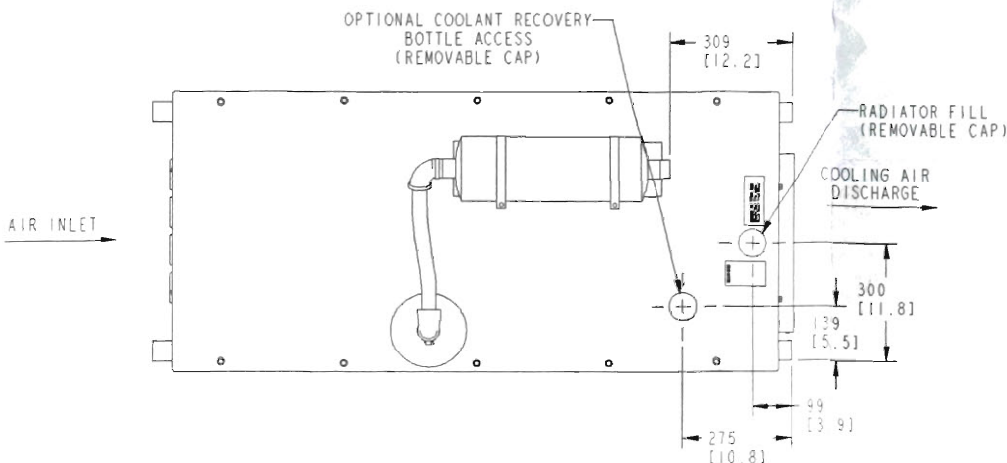
2

1

REV. NO.	LYR	NO.	REVISION	ZONE	DR	CHKD	APPROVER	DATE
75611	A	1	PRODUCTION RELEASE	-	GAC	BVM	BVM	08-19-97
75725	B	1	CHANGES PER ER	-	GAC	BVM	BVM	09-10-97
76064	C	1	CHANGES PER ER	-	GAC	SRC	SRC	11-12-97
FRD2434	D	1	WAS 284 [11.2]	3-D	WP	WP	LS	08-05-99
		2	ADD OPTIONAL MUFFLER GUARD (A024)	6-C	WP	WP	LS	08-05-99
		3	RMV TOLERANCES FROM TOL BLOCK	3-A	WP	WP	LS	08-05-99
FRD6602	E	1	REVISED TABULATION PER ECOR	-	RMM	BG	P. LARSON	09-15-00



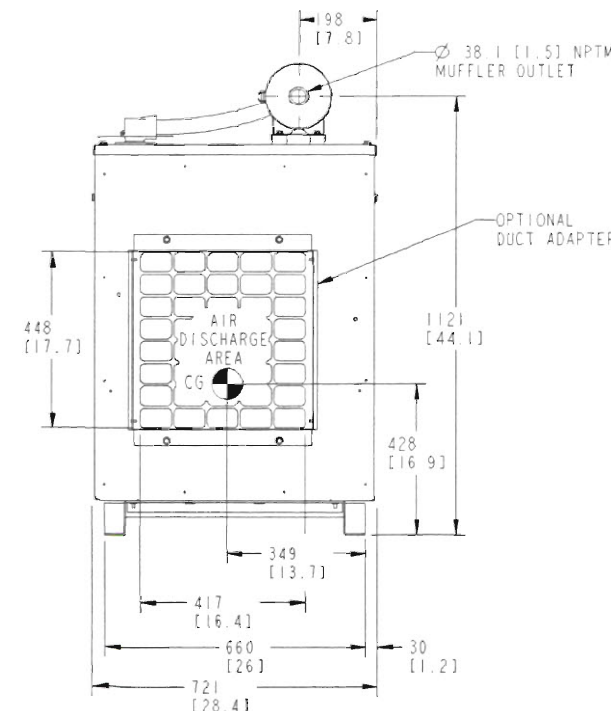
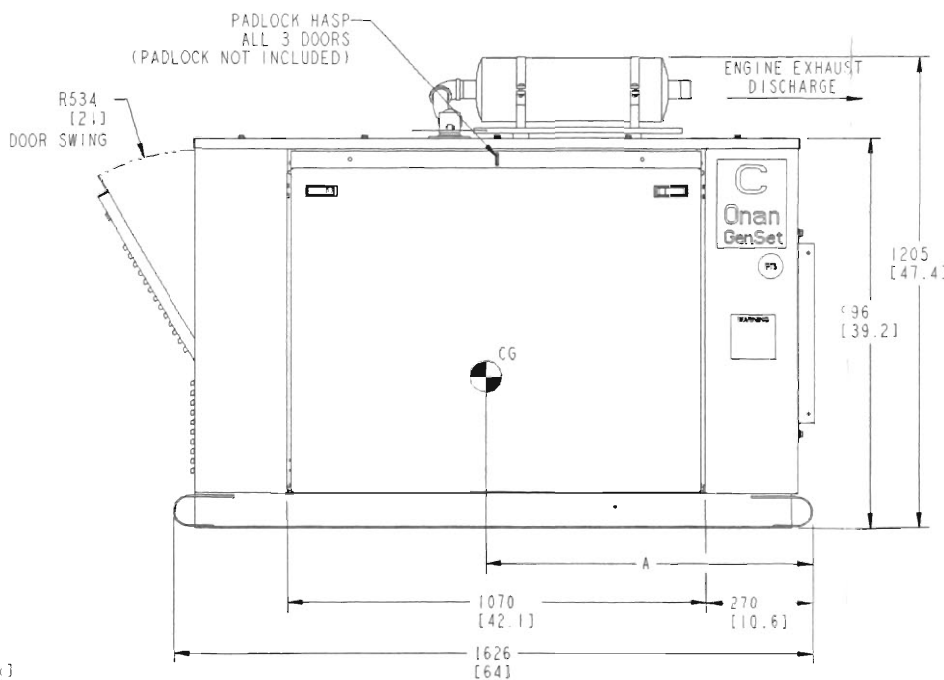
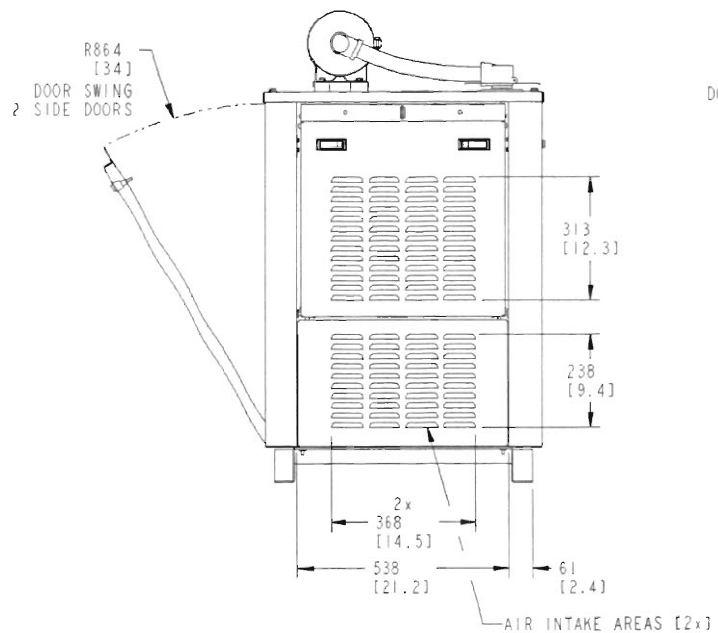
OPTIONAL MUFFLER GUARD (A024) SCALE 1/16



NOTES

- DIMENSIONS SHOWN IN [] ARE INCHES.
- HOUSING AND MUFFLER WEIGHT: 116 kg (255 lbs)

TABULATION		
ALTERNATOR DATA SHEET	DIM "A"	HOUSED GENERATOR SET WET WEIGHT kg LB
106	823 (32.4)	497 (1093)
107	844 (33.2)	568 (1135)



CLASSIFICATION OF CHARACTERISTICS
 CRITICAL ●
 MAJOR ○
 MINOR (NONE)
 LINE BELOW SYMBOL ● APPLIES TO UPPER LIMIT
 LINE ABOVE SYMBOL ○ APPLIES TO LOWER LIMIT
 NO LINE WITH SYMBOL APPLIES TO BOTH LIMITS
 ▼ KEY INSTRUCTION (NO TOLERANCE)

APPROVED B. MANN
 DATE 08-04-97

METRIC DWG
 Pro/ENGINEER

DO NOT SCALE PRINT

NO.	DATE	BY	CHKD	APP'D
1	08-04-97	G. COLLEEN	J. VALENTO	B. MANN

SCALE OF 1/8

ITEM	PART NO.	QTY	DESCRIPTION OR MATERIAL	DATE
				08-04-97

APPROVED B. MANN
 DATE 08-04-97

RADIATOR COOLED, HOUSED (E074/E082)

Minneapolis, Minnesota 55432

OUTLINE-ENCL (F001)

0500_3231

6

5

4

3

2

1