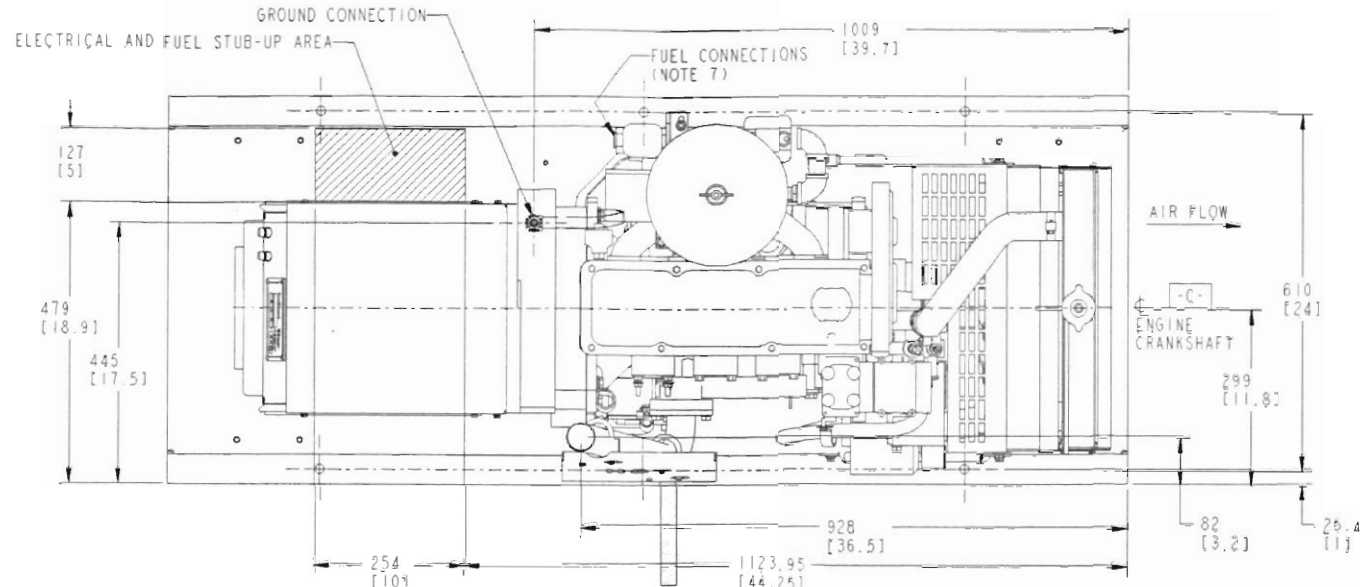
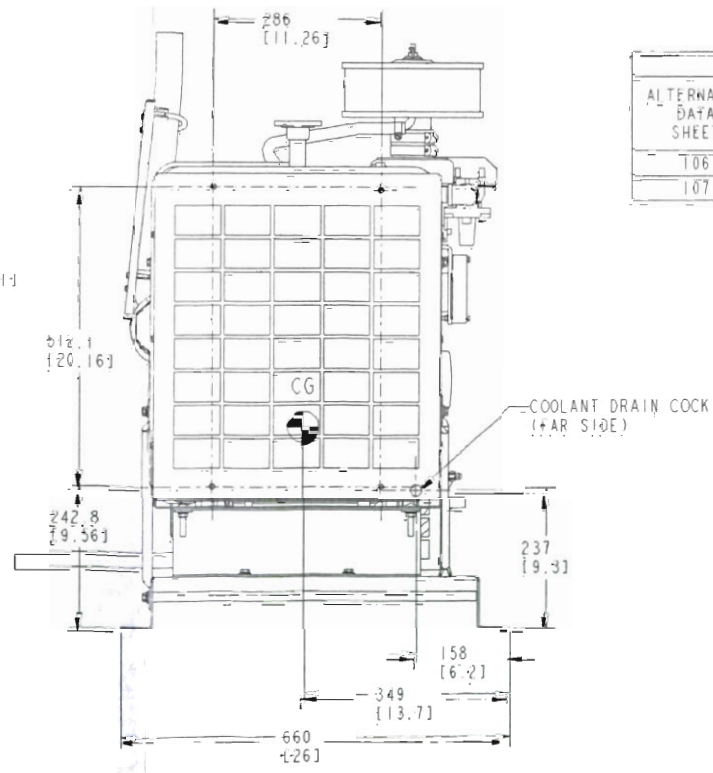
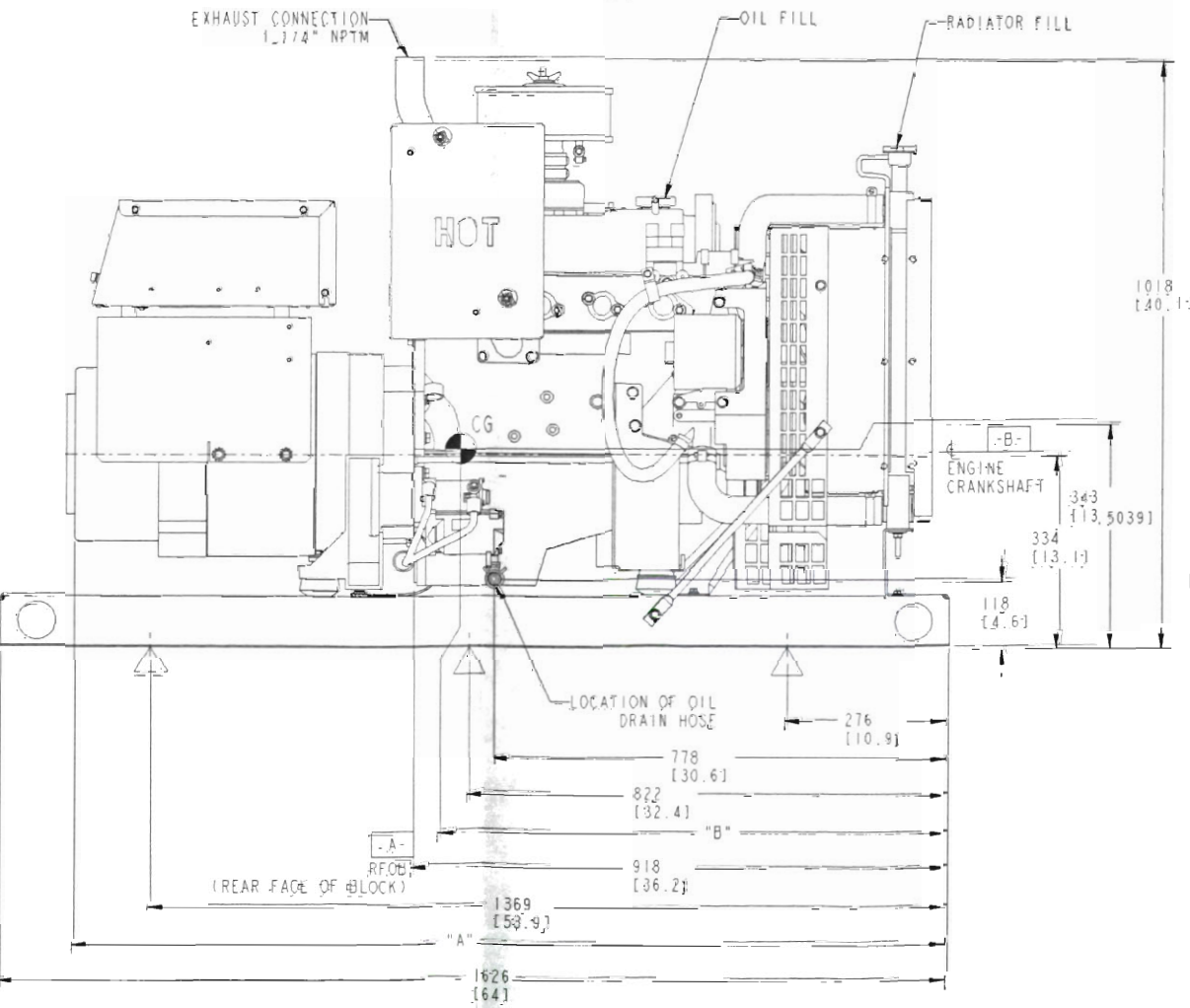


REL. NO.	FLY	REV.	DESCRIPTION	DATE	BY	CHKD	APPROVED
TRO22372	A	1	PRODUCTION RELEASE	12-17-04	RH	EM	EM



- NOTES
- 1 DIMENSIONS SHOWN IN [ ] ARE IN INCHES.
  - 2  $\varnothing 15.88$  [0.625] HOLES MARKED BY  $\triangle$  ARE FOR SECURING TO MOUNTING SURFACE.
  - 3 TABULATED WEIGHT AND CG IS FOR GENERATOR SET WITH NO OPTIONS.
  - 4 REFER TO OUTLINE DRAWING 0500\_4157 FOR OPTIONS INFORMATION.
  - 5 REFER TO OUTLINE DRAWING 0500\_3231 FOR ENCLOSURE INFORMATION.
  - 6 REFER TO OUTLINE DRAWING 0500\_3233 FOR REMOTE RADIATOR INFORMATION.
  - 7 REFER TO OUTLINE DRAWING 0500\_4157 FOR FUEL CONNECTIONS OPTIONS INFORMATION.



TABULATION			
ALTERNATOR DATA SHEET	DIM "A"	DIM "B"	GENERATOR SET NET WEIGHT kg LB
T06	1481 [58.3]	825 [32.5]	381 (838)
T07	1513 [59.6]	853 [33.6]	400 (880)

DO NOT SCALE PRINT

<p>AND TOL: 1.0</p> <p>SCALE OF 3/16</p>	<p>TOLERANCE UNLESS OTHERWISE SPECIFIED</p> <p>IN INCHES</p> <p>0.0015 ± 0.0015</p> <p>0.0025 ± 0.0025</p> <p>0.0050 ± 0.0050</p> <p>0.0075 ± 0.0075</p> <p>0.0100 ± 0.0100</p> <p>0.0150 ± 0.0150</p> <p>0.0200 ± 0.0200</p> <p>0.0300 ± 0.0300</p> <p>0.0500 ± 0.0500</p> <p>0.1000 ± 0.1000</p> <p>0.1500 ± 0.1500</p> <p>0.3000 ± 0.3000</p> <p>0.5000 ± 0.5000</p> <p>1.0000 ± 1.0000</p> <p>2.0000 ± 2.0000</p> <p>5.0000 ± 5.0000</p> <p>10.0000 ± 10.0000</p>	<p>DATE: 12-17-04</p> <p>BY: J. HALVERSON</p> <p>CHKD: E. KROHNFELDT</p> <p>APPROVED: J. KROHNFELDT</p> <p>SCALE: 3/16</p>	<p>DATE: 12-17-04</p> <p>BY: E. KROHNFELDT</p> <p>CHKD: J. KROHNFELDT</p> <p>APPROVED: J. KROHNFELDT</p> <p>SCALE: 3/16</p>	<p>DESCRIPTION OF MATERIAL</p> <p>GENSET OUTLINE (#179)</p> <p>SCALE: 3/16</p>	<p>CUMMINS POWER GENERATION</p> <p>GENSET OUTLINE (#179)</p> <p>SCALE: 3/16</p>
--	---	--	---	--	---