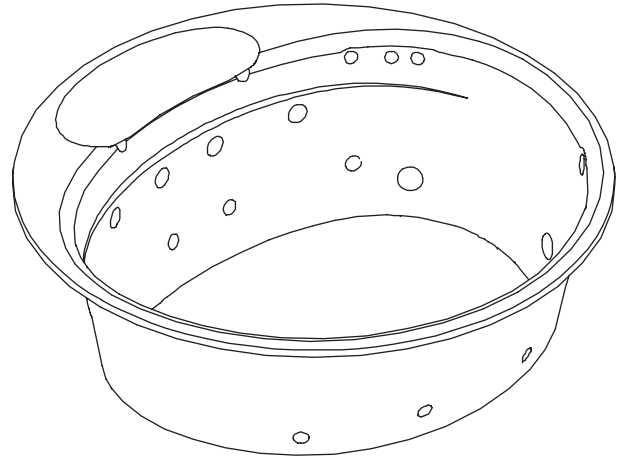


Ø 66"

**K-1394-H2**  
ALSO K-1394-H3

### Features

- Acrylic
- Two 2 hp variable speed pumps with back-lit user control and remote control
- 4 kW heater (on separate electrical service)
- 8 Flexjets
- Waterfall
- 4 Riverjets
- 4 chromatherapy lights (H2 model only)
- Air aspiration "On/Off" feature
- Less all trim
- One large pillow and two small pillows
- 66" (167.6 cm) D. x 25" (63.5 cm) high (27-1/2" (69.9 cm) high with pillow)



### Codes/Standards Applicable

Specified model meets or exceeds the following:

- ANSI Z124.1
- ASME A112.19.7
- Underwriter's Laboratories (UL)

### Colors/Finishes

- 0: White
- Other: Refer to Price Book for additional colors/finishes

### Accessories:

- CP: Polished Chrome
- PB: Polished Brass
- Other: Refer to Price Book for additional colors/finishes

### Specified Model

Model	Description	Colors/Finishes		
K-1394-H2	RiverBath Ø 66" with chromatherapy lights	<input type="checkbox"/> 0 White	<input type="checkbox"/> Other_____	
K-1394-H3	RiverBath Ø 66" less chromatherapy lights	<input type="checkbox"/> 0 White	<input type="checkbox"/> Other_____	
<b>Required Accessories</b>				
K-9398	Flexjet trim kit	<input type="checkbox"/> CP	<input type="checkbox"/> PB	<input type="checkbox"/> Other_____
<b>Recommended Accessory</b>				
K-7167	Drain	<input type="checkbox"/> CP	<input type="checkbox"/> PB	<input type="checkbox"/> Other_____

### Product Specification:

The RiverBath shall be 66" (167.6 cm) in diameter, and 25" (63.5 cm) in height (27-1/2"/69.9 cm in height with pillow). RiverBath shall be made of acrylic. RiverBath shall have 8 Flexjets, waterfall, 4 Riverjets, 4 chromatherapy lights (H2 model only), two 2 hp variable speed pumps, 4 kW heater, back-lit user control and remote control. RiverBath shall be UL listed. RiverBath shall be less all trim. RiverBath shall have air aspiration "On/Off" feature. RiverBath shall have one large pillow and two small pillows. RiverBath shall be Kohler Model K-1394-\_\_\_\_\_-\_\_\_\_\_.

# RIVERBATH™

## Technical Information

Fixture:*	basin area	top area	weight
Bathing well	54-1/2" (138.4 cm x 44" (111.8 cm)	61-5/8" (156.5 cm) x 54-1/2" (138.4 cm)	260 lbs. (118 kg)
	water depth	capacity	
To overflow	19" (48.3 cm)	196 gal. (742 L)	
* Approximate measurements for comparison only.			

Pump: (Qty. 2)	Hp	Voltage	Frequency	Amps
Variable speed	2 hp	240 V	50/60 Hz	18 A

Drop-in cut-out	64-1/2" (162.6 cm) D.
Cut-out template	1006705-7
Minimum access panel	
Pump/control	48" (121.9 cm) x 18" (45.7 cm) required

## Required Electrical Service (2)

Two dedicated circuits required, each protected with Class A Ground-Fault Circuit-Interrupter (GFCI) or Earth-Leakage Circuit-Breaker (ELCB):	
Pump/control	220-240 V, 20 A, 50/60 Hz
Heater	220-240 V, 20 A, 50/60 Hz, 4 kW

## Installation Notes

**NOTE:** Pump protrusion beyond rim.

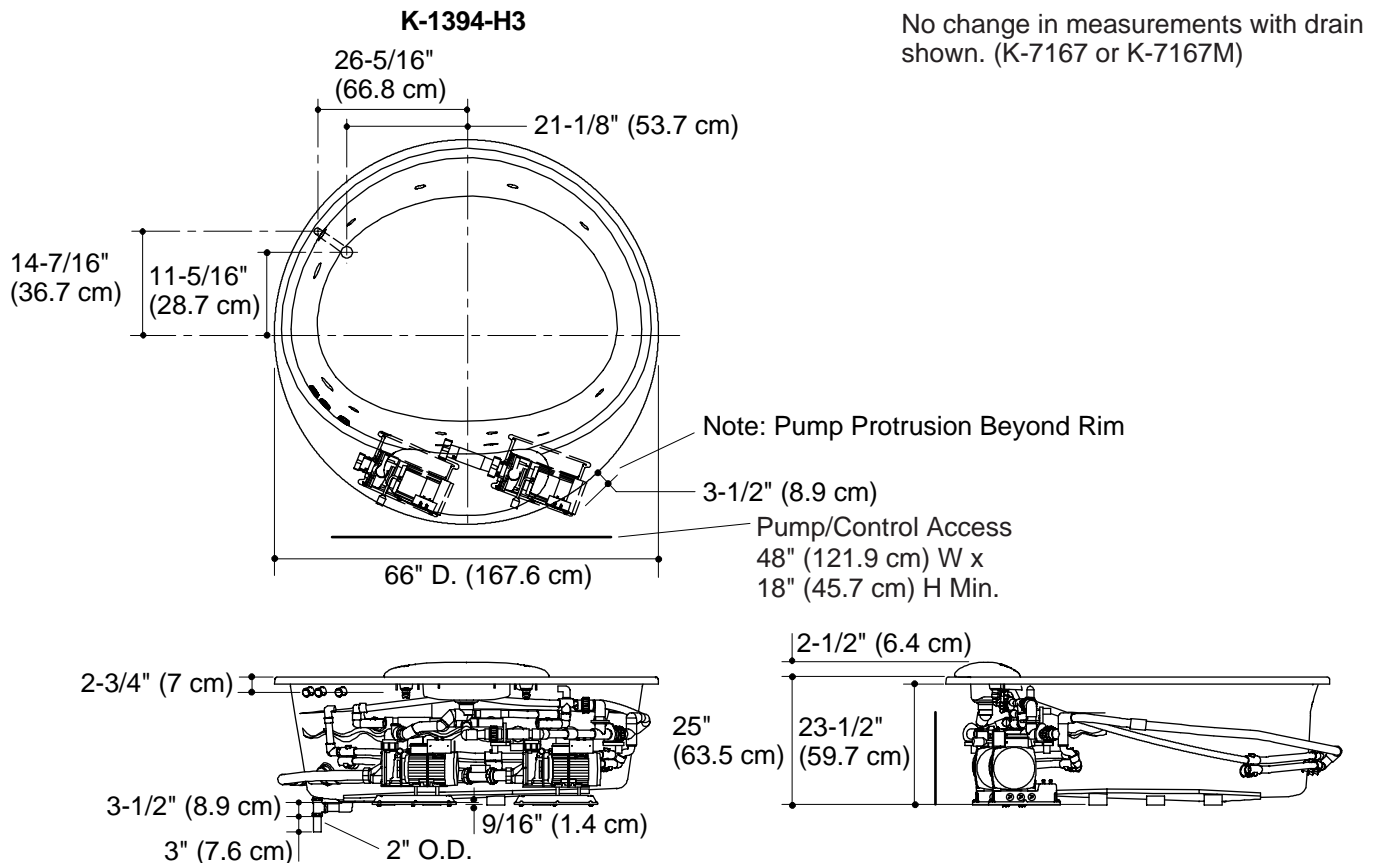
Install this product according to the installation guide.

Two separate 240 V electrical services required; one for the pump/control, and another for the heater.

Floor support under whirlpool must provide for a minimum of 2500 lbs. (1134 kg)

Hot water supply should be 70% of capacity or greater. Installations will vary.

If installing a rim mount faucet, make sure there is no interference with drain overflow and circulating system before drilling any holes. Consult local and national codes for minimum air gap requirements if installing a spout on the faucet deck.



No change in measurements with drain shown. (K-7167 or K-7167M)

## Product Diagram