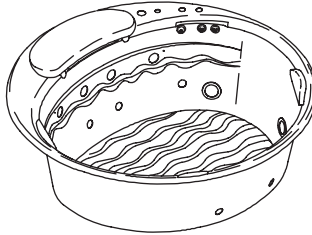


Homeowners Guide

Bath Whirlpool

K-1394



M product numbers are for Mexico (i.e. K-12345**M**)
Los números de productos seguidos de **M** corresponden a México
(Ej. K-12345**M**)
Français, page "Français-1"
Español, página "Español-1"

THE BOLD LOOK
OF **KOHLER**®

Operating Instructions

INSTRUCTIONS PERTAINING TO A RISK OF FIRE, ELECTRICAL SHOCK, OR INJURY TO PERSONS

READ AND FOLLOW ALL INSTRUCTIONS

SAVE THESE INSTRUCTIONS



WARNING: When using electrical products, basic precautions should always be followed, including the following:



DANGER: Risk of personal injury. To reduce the risk of injury, do not permit children to use this unit unless they are closely supervised at all times.



WARNING: Risk of personal injury. To avoid injury, exercise care when entering or exiting the whirlpool.



WARNING: Risk of electric shock. Do not permit electric appliances (such as a hair dryer, lamp, telephone, radio, or television) within 5' (1.5 m) of this whirlpool.



WARNING: Risk of hyperthermia. People using medications and/or having an adverse medical history should consult a physician before using a whirlpool equipped with a heater.

Use this whirlpool only for its intended purpose as described in this manual. Do not use attachments not recommended by the manufacturer.

Never drop or insert any object into any opening.

Do not operate this unit without the guard (cover) over the suction fitting.

The whirlpool must be connected only to a supply circuit that is protected by a Ground-Fault Circuit-Interrupter (GFCI) or Residual Current Device (RCD). Such a GFCI or RCD should be provided by the installer and should be tested on a routine basis. To test the GFCI or RCD, press the test button. The GFCI or RCD should interrupt power. Press the reset button. Power should be restored. If the GFCI or RCD fails to operate in this manner, the GFCI or RCD is defective. If the GFCI or RCD interrupts power to the bath without the test button being pressed, a ground current is flowing, indicating the possibility of an electric shock. Do not use this whirlpool bath. Disconnect the whirlpool and have the problem corrected by a qualified service representative before using.



WARNING: The use of alcohol, drugs, or medication can greatly increase the risk of fatal hyperthermia. Prolonged immersion in hot water may induce hyperthermia. Hyperthermia occurs when the internal temperature of the body reaches a level several degrees above the normal body temperature of 98.6°F (37°C). The symptoms of hyperthermia include an increase in the internal temperature of the body, dizziness, lethargy, drowsiness, and fainting. The effects of hyperthermia include: (a) failure to perceive heat, (b) failure to recognize the need to exit the bath, (c) unawareness of impending hazard, (d) fetal damage in pregnant women, (e) physical inability to exit the bath, and (f) unconsciousness resulting in the danger of drowning.

IMPORTANT! Flush your whirlpool system twice a month or more depending upon usage, as described in the "Flushing Your Whirlpool System" section.

Do not allow the water temperature in the whirlpool to exceed 104°F (40°C).

Keep small objects such as bath toys and bathing accessories out of the whirlpool while the unit is running.

Repeated use of personal care products containing oils can damage plastic whirlpool components. Do not use heavy, vegetable-based shampoos or bath oils.

Whirlpool hydro-massage action can cause even a small amount of bubble bath, bath soap, shampoo, or bath oil to foam excessively. For this reason, please don't use these products during whirlpool operation.

Table of Contents

Operating Instructions	2
Thank You For Choosing Kohler Company	3
Your Kohler Whirlpool	3
Features and Whirlpool Modes	4
User Keypad Operation	5
Fill Your Whirlpool	5
Operating Your Whirlpool	6
Chromatherapy Operation (H2 Models Only)	7
User Keypad "Sleep" Modes	7
Remote Control	8
Programming the Remote Control	8
FCC Compliance	9
Care and Cleaning	9
Flushing Your Whirlpool System	9
Limited One-Year Warranty	9
One-Year Warranty	10
Troubleshooting Procedures	11
Service Parts	14

Thank You For Choosing Kohler Company

Thank you for choosing Kohler Company. Your Kohler Company product reflects the true passion for design, craftsmanship, artistry, and innovation Kohler Company stands for. We are confident its dependability and beauty will surpass your highest expectations, satisfying you for years to come.

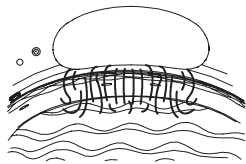
All information in this guide is based upon the latest product information available at the time of publication. At Kohler Company, we strive to fulfill our mission of improving the level of gracious living for each person who is touched by our products and services. We reserve the right to make changes in product characteristics, packaging, or availability at any time without notice.

Please take a few minutes to review this guide. Pay special attention to the care and cleaning instructions.

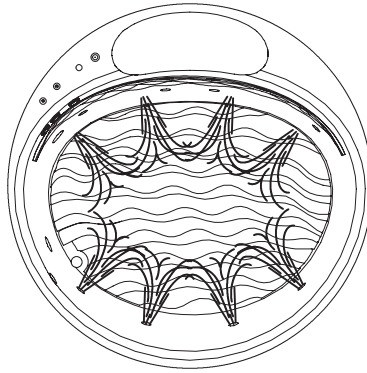
Your Kohler Whirlpool

Your new whirlpool is designed to stimulate, invigorate, and energize your body with comforting hydro-massage therapy. The whirlpool consists of the following components:

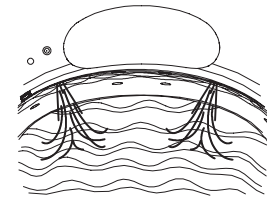
- **Bath** - The bath acts as a reservoir for water and provides a location for the hydro-massage action.
- **User Keypad** - Located within easy reach, the keypad allows you to turn the whirlpool on and off. It also allows you to access all the whirlpool modes and regulate the water flow or pulse speed. Symbols illuminated in blue indicate available modes/features. Active modes will be illuminated in green.
- **Pump Motors** - The pump motors provide quiet, variable speed power to circulate the water and create the soothing hydro-massage action. Your whirlpool uses two pump motors. One pump motor powers the Waterfall and the second pump propels water through the Flexjets and Riverjets.
- **Flexjets** - Positioned to optimize their hydro-massage effect, the jets allow you to adjust the air and water flow and control the flow direction as you desire.
- **Waterfall and Riverjets** - Allow you to further enhance your bathing experience by selecting various modes/features.
- **Heater** - The heater is designed to automatically help maintain the temperature of the water up to 104°F (40°C) to enhance your hydro-massage experience. The heater turns on automatically when the Flexjet/Riverjet pump is operating, and turns off when the pump motor is turned off. The heater may be turned off through the keypad at any time while the pumps are operating.
- **Pillows** - The pillows provide a comfortable place to rest your head as you relax.
- **Remote Control** - The waterproof remote control allows you to control the whirlpool functions from either inside or outside the bath.



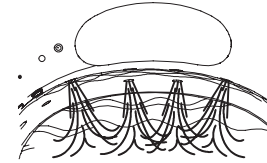
Waterfall Mode



Whirlpool Flexjet Mode



Riverjets - Whitewater Mode

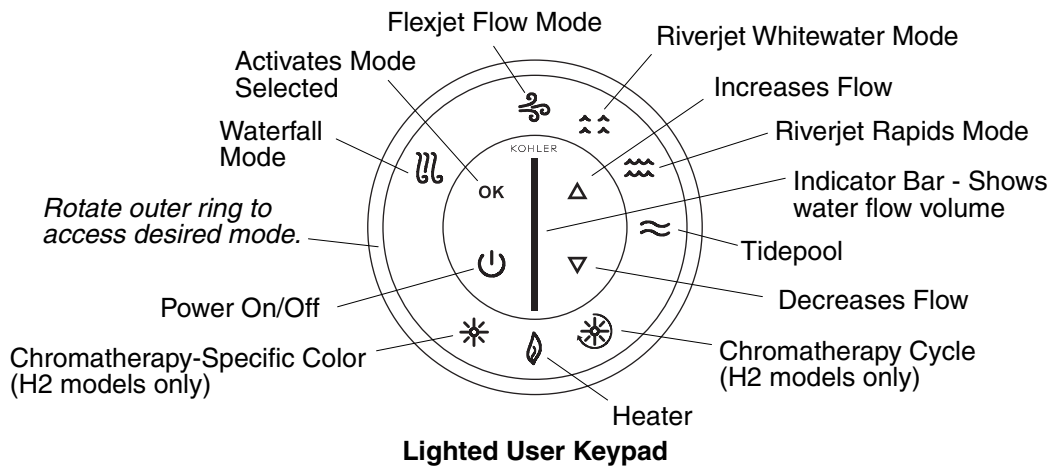


Riverjets - Rapids Mode

Features and Whirlpool Modes

Your bath offers several distinct whirlpool experiences:

- **Waterfall** - You may use the Waterfall alone, or with the Flexjets, or Riverjets in either the Whitewater mode or Rapids mode.
- **Flexjets** - The eight Flexjets, located lower in your whirlpool than the Riverjets, provide an invigorating whirlpool action.
- **Whitewater** - The Whitewater mode activates the two outside Riverjets behind your neck to provide a swirling action.
- **Rapids** - The Rapids mode activates all four Riverjets behind your neck to provide a swirling action.
- **Tidepool** - This feature turns off the air flow to the jets for a soothing, relaxing effect. The Tidepool feature may be used at any time while any of the jets are operating. The Tidepool mode does not affect the Waterfall.
- **Chromatherapy Cycle (H2 Models Only)** - Chromatherapy lights will automatically and continuously cycle through the eight colors: white, violet, indigo blue, aqua blue, green, yellow, orange, and red. One cycle through all eight colors takes approximately one minute.
- **Chromatherapy Specific Color Selection (H2 Models Only)** - When this mode is selected, you may choose a specific color for the bath.



User Keypad Operation

NOTE: Symbols illuminated in blue indicate available modes/features. Active modes will be illuminated in green.

- **Chromatherapy Cycle (H2 Models Only)** - Chromatherapy lights will automatically and continuously cycle through the eight colors: white, violet, indigo blue, aqua blue, green, yellow, orange, and red. One cycle through all eight colors takes approximately one minute.
- **Chromatherapy Specific Color Selection (H2 Models Only)** - When this mode is selected, you may choose a specific color for the bath.
- **Waterfall Mode** - You may use the Waterfall alone, or with any one of the following: Flexjets, or Riverjets in either the Whitewater mode or Rapids mode.
- **Whitewater** - The Whitewater mode activates the two outside Riverjets behind your neck to provide a swirling action.
- **Rapids** - The Rapids mode activates all four Riverjets behind your neck to provide a swirling action.
- **Tidepool** - This feature turns off the air flow to the jets for a soothing, relaxing effect. The Tidepool feature may be used at any time while any of the jets are operating. The Tidepool mode does not affect the Waterfall.
- **Flexjet Mode** - The eight Flexjets, located lower in your whirlpool than the Riverjets, provide an invigorating whirlpool action.

Fill Your Whirlpool

NOTE: Please read these steps carefully before operating your whirlpool.

NOTE: The water temperature in the whirlpool should not exceed 104°F (40°C). The heater will automatically turn off as the water temperature approaches 104°F (40°C) and will remain off until the water cools.

- Turn the jet trim fully counterclockwise. Position the jet nozzles so they face down toward the basin.

NOTE: For Waterfall only use (no Flexjets or Riverjets), you only need to fill the bath to a level about 2" (5.1 cm) above the top of the suction covers.

NOTE: For Waterfall or Flexjet use (no Riverjets), you only need to fill the bath to a level about 2" (5.1 cm) above the top of the highest Flexjet.

- **To operate all the features:** Fill the whirlpool to a level above the water-level sensors on either side of the Riverjets.

Fill Your Whirlpool (cont.)

NOTE: The Riverjets will only operate if both water-level sensors are completely covered with water. If the water level drops below the sensors, the Riverjets will automatically turn off, and the Flexjets will turn on. The Riverjets and Flexjets will not operate at the same time.

Operating Your Whirlpool

NOTE: A built-in heater automatically helps to maintain the water temperature when the whirlpool is running, as long as the water temperature does not exceed 104°F (40°C). The heater will automatically disengage at higher temperatures.

- **To turn the whirlpool on:** Press the Power On/Off button or rotate the outer ring to access a desired mode, as described below.
- **To access a desired mode:** Rotate the outer ring until the icon is flashing blue. Press "OK" to activate the mode. The active mode will flash green. To turn off a mode, rotate the outer ring until the button is flashing green and press "OK" again. The icon will turn blue indicating the mode is off.
- **Waterfall:** When activated, the Waterfall will start to flow at medium volume within several seconds. The Waterfall mode is not heated. Increase or decrease the water flow by pressing either the up or down arrow buttons on the keypad. An indicator bar in the center of the keypad shows the water flow volume. The Waterfall may be used alone, or with any one of the following: Flexjets, or Riverjets in either the Whitewater mode or Rapids mode.
- **Flexjets:** When activated, the Flexjets, located lower in your whirlpool than the Riverjets, will start to flow at medium volume immediately. Increase or decrease the water flow by pressing either the up or down arrow buttons on the keypad. An indicator bar in the center of the keypad shows the water flow volume.
- **Whitewater:** Whitewater mode activates the two outside Riverjets behind your neck to flow at medium volume. Increase or decrease the water flow by pressing either the up or down arrow buttons on the keypad. An indicator bar in the center of the keypad shows the water flow volume.
- **Rapids:** Rapids mode activates all four Riverjets behind your neck to flow at medium volume. Increase or decrease the water flow by pressing either the up or down arrow buttons on the keypad. An indicator bar in the center of the keypad shows the water flow volume.
- **Tidepool:** This feature turns off the air flow to the jets for a soothing, relaxing effect. The Tidepool feature may be used at any time while any of the jets are operating. The Tidepool mode does not affect the Waterfall.

NOTE: Some air may flow from one or more jets for a short time after the Tidepool feature has been activated.

- **Heater:** The built-in heater automatically helps to maintain the water temperature when any of the jets are operating, as long as the water temperature does not exceed 104°F (40°C). The heater may be turned off at any time while the pumps are operating, by rotating the outer ring until the heater button is flashing and pressing "OK." Press "OK" again to turn the heater back on.
- Your whirlpool jet system adds air to the water stream (when not in the Tidepool mode) to increase the force of the water flow. Decrease the force of the whirlpool water flow by turning the whirlpool trim rings clockwise until you obtain the desired water force. Turn the trim rings counterclockwise to increase the water flow force.

NOTE: A built-in timer automatically stops the pump and motor after approximately 20 minutes of operation.

- Press the Power On/Off button to turn the whirlpool off.

Chromatherapy Operation (H2 Models Only)

NOTE: Chromatherapy may be used with all modes of operation. Chromatherapy may also be used when the pumps are not operating.

Chromatherapy Cycle -When this mode is activated, the chromatherapy lights will automatically and continuously cycle through all eight colors: white, violet, indigo blue, aqua blue, green, yellow, orange, and red. One cycle through all eight colors takes approximately one minute.

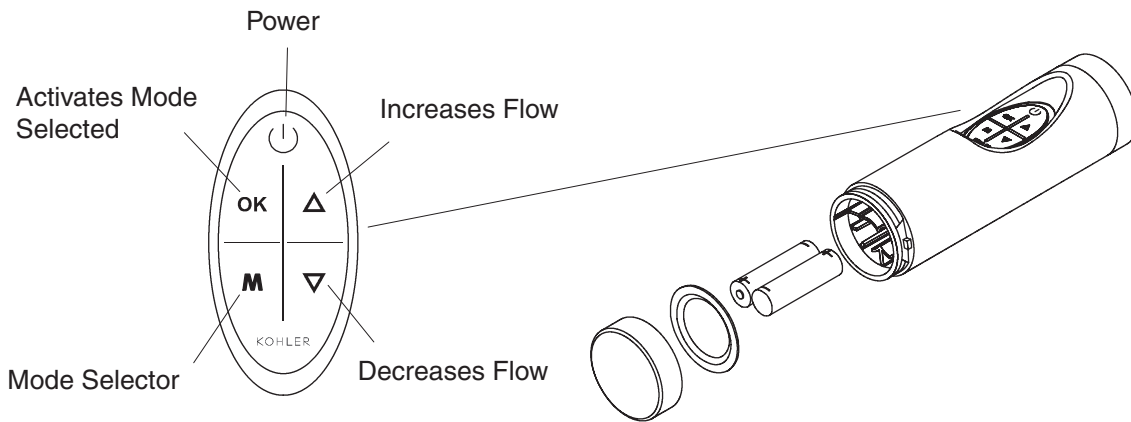
- Rotate the outer ring on the keypad to select this mode and press "OK" to activate it.
- Press "OK" while the chromatherapy mode is active to turn off this mode.

Chromatherapy Specific Color Selection - When this mode is activated, you may choose a specific color for the bath.

- Rotate the outer ring on the keypad to select this mode and press "OK" to activate it.
- Use the up or down arrows to reach the desired color and press "OK" to activate the desired color.

User Keypad "Sleep" Modes

- To enhance your bathing experience, the keypad is programmed to darken after approximately 15 seconds of inactivity. Only the last feature selected will remain illuminated. To resume normal operation, press any key or turn the outer ring.
- Approximately 60 seconds after all equipment is turned off, the keypad will darken completely to conserve power. Press the power button or turn the outer ring to reactivate the keypad.



Remote Control

The remote control places the whirlpool functions at your fingertips to further enhance your bathing experience. The functions of the remote are identical to the user keypad. You may turn the whirlpool on and off, turn the heater on and off, and access/modify all whirlpool functions.

The mode selector button functions in the same way as the outer ring on the keypad. When "M" is pressed, one of the modes will flash on the user keypad. If "M" is pressed again, the next mode in clockwise order will flash. When the desired mode is flashing, press "OK" to activate it.

When the Flexjets, Waterfall, Whitewater or Rapids mode is active, the arrows will increase or decrease the water flow volume.

The waterproof remote control is designed to be used in the bath and will float in the water.

Two AAA batteries are used in the remote control. To replace, simply unscrew the endcap and insert the batteries, as shown above. Tighten the endcap securely, making sure the endcap makes contact with the seal.

Programming the Remote Control

IMPORTANT! Programming the remote control is required. Your whirlpool will not respond to any remote control until you program the remote. If you replace the remote control or replace the pump control, it will be necessary to program the remote control.

- Turn the whirlpool power on.
- Turn off all modes of operation. Wait approximately one minute until the keypad darkens completely (Sleep mode).
- On the user keypad, press the UP arrow, DOWN arrow, and the "OK" buttons simultaneously. The bottom LED on the keypad's indicator bar will begin flashing.
- While the LED is flashing, press the "OK" button on the keypad. A light sequence will illuminate up and down the indicator bar.
- While the indicator bar light sequence is active, press any button on the remote control. The keypad will stop the light sequence, perform a download, and then darken. This user keypad will only respond to this remote.

NOTE: If you do not press any of the buttons on the remote within two minutes the whirlpool will not respond to the remote control.

FCC Compliance

FCC ID : N82-KOHLER001

Canada ID : 4554A-KOHLER001

Compliance Statement (Part 15.19)

This device complies with Part 15 of the FCC Rules and with RSS-210 of Industry Canada. Operation is subject to the following two conditions:

1. This device may not cause harmful interference, and
2. This device must accept any interference received, including interference that may cause undesired operation.

Warning (Part 15.21)

Changes or modifications not expressly approved by the party responsible for compliance could void the user's authority to operate the equipment.

Care and Cleaning

For best results, keep the following in mind when caring for your KOHLER product:

- Use a mild detergent such as liquid dishwashing soap and warm water for cleaning. Do not use abrasive cleaners that may scratch or dull the surface.
- Carefully read the cleaner product label to ensure the cleaner is safe for use on the material.
- Always test your cleaning solution on an inconspicuous area before applying to the entire surface.
- Do not allow cleaners to sit or soak on the surface.
- Wipe surfaces clean and rinse completely with water immediately after cleaner application. Rinse and dry any overspray that lands on nearby surfaces.
- Use a soft, dampened sponge or cloth. Never use an abrasive material such as a brush or scouring pad to clean surfaces.

For detailed cleaning information and products to consider, visit www.kohler.com/clean. To order Care & Cleaning information, call 1-800-456-4537 and press 1 for Kohler Products and then 3 for Literature.

Flushing Your Whirlpool System

Flush your whirlpool system twice a month or more, depending upon usage. Use the following sequence:

- Turn the jet trim rings fully clockwise to remove air induction.
- Fill the whirlpool with warm water above the backjet level probes or leave water in the whirlpool after using.
- Add 2 tablespoons (30 ml) of a low-foaming dishwasher detergent and 20 ounces (590 ml) of household bleach (5% - 6% sodium hypochlorite) to the water.
- Run the whirlpool for 5 to 10 minutes. Turn off the whirlpool and drain.
- If desired, rinse the bath surfaces with water.
- Rinse the surfaces of the jets, faucet, handrails, drain, etc. and wipe them dry with a soft cloth.

Limited One-Year Warranty

KOHLER plumbing products are warranted to be free of defects in material and workmanship for one year from date of installation.

Kohler Co. will, at its election, repair, replace or make appropriate adjustment where Kohler Co. inspection discloses any such defects occurring in normal usage within one (1) year after installation. Kohler Co. is not responsible for removal or installation costs. Use of in-tank toilet cleaners will void the warranty.

To obtain warranty service contact Kohler Co. either through your Dealer, Plumbing Contractor, Home Center or E-tailer, or by writing Kohler Co., Attn.: Customer Service Department, 444 Highland Drive,

Limited One-Year Warranty (cont.)

Kohler, WI 53044, USA, or by calling 1-800-4-KOHLER from within the USA, 1-800-964-5590 from within Canada and 001-877-680-1310 from within Mexico.

Implied warranties including that of merchantability and fitness for a particular purpose are expressly limited in duration to the duration of this warranty. Kohler Co. and/or seller disclaims any liability for special, incidental or consequential damages.

Some states/provinces do not allow limitations on how long an implied warranty lasts, or the exclusion or limitation of special, incidental or consequential damages so these limitations and exclusions may not apply to you. This warranty gives you specific legal rights. You may also have other rights which vary from state/province to state/province.

This is Kohler Co.'s exclusive written warranty.

One-Year Warranty

KOHLER CO.

It is recommended that at the time of purchase, you verify that all accessories and components are complete in this package.

This Kohler product is warranted to be free of defects in material and workmanship for one (1) year from the date of purchase as shown on the invoice or receipt.

1. Kohler Co. will only service its commercialized products through its authorized distributors.
2. To obtain warranty service, please present the invoice and corresponding warranty.
3. Through its authorized distributors, Kohler Co. promises to repair the defective product or provide a new replacement or an equivalent model (in those cases that the model has been discontinued) when the product is beyond repair, without any charge to the consumer.
4. The time of repair will not exceed six (6) weeks commencing on the date the product is received.
5. It is recommended that the consumer save the invoice or receipt as additional protection, as it may substitute the warranty in the case that there is a discrepancy in the validity of the warranty.

EXCEPTIONS AND RESTRICTIONS

The Warranty will not be valid in the following cases:

1. When the product is not operated in accordance with the instructions concerning use and operation set forth in the owner's manual or installation instructions, and when the recommendations and warnings included are not observed.
2. When the product has been modified or dismantled partially or totally; or has been used in a negligent fashion and as a consequence has suffered damages attributable to the consumer, individual, or hardware not authorized by Kohler Co.
3. This warranty does not cover the damages as a result of disaster such as fire or acts of God, including flooding, earthquake, or electric storms, etc. To obtain a list of distributors in your area where you can exercise your rights under this warranty, please call 001-877-680-1310.

KOHLER CO., KOHLER, WI 53044 U.S.A.

IMPORTER:

INTERNACIONAL DE CERÁMICA, S.A.B. DE C.V.

AV. CARLOS PACHECO NO. 7200

CHIHUAHUA, CHIH., MEXICO C.P. 31060

TEL: 52 (14) 29-11-11

Troubleshooting Procedures

This troubleshooting guide is for general aid only. A Kohler Authorized Service Representative or qualified electrician should correct all electrical problems. For warranty service, contact your dealer or wholesale distributor.

Troubleshooting the Whirlpool System

Symptoms	Probable Causes	Recommended Action
1. User keypad does not illuminate when power button is pressed or outer ring is rotated.	<p>A. No power to control.</p> <p>B. GFCI or RCD tripped.</p> <p>C. Wiring harness from user keypad to control is loose, disconnected, or damaged.</p> <p>D. User keypad does not work.</p> <p>E. Control does not work.</p>	<p>A. Check wiring and connect power. If problem persists, Refer to the installer/dealer.</p> <p>B. Reset GFCI or RCD.</p> <p>C. Check wiring for proper connections. Replace wiring harness if necessary. Refer to the installer/dealer.</p> <p>D. Replace user keypad. Refer to the installer/dealer.</p> <p>E. Replace control. Refer to the installer/dealer.</p>
2. Motor starts, but all jets are not functioning.	<p>A. Jet is closed.</p> <p>B. Jet not installed correctly.</p> <p>C. Jets are blocked.</p>	<p>A. Rotate jet trim counterclockwise to open.</p> <p>B. Reinstall jet; check for O-ring damage.</p> <p>C. Remove blockage.</p>
3. User keypad is illuminated, but does not respond to buttons or outer ring.	<p>A. Control program is locked.</p> <p>B. Wiring harness from user keypad to control is loose, disconnected, or damaged.</p> <p>C. User keypad does not work.</p> <p>D. Control does not work.</p>	<p>A. Reset GFCI or RCD.</p> <p>B. Check wiring for proper connections. Replace wiring harness if necessary. Refer to the installer/dealer.</p> <p>C. Replace user keypad. Refer to the installer/dealer.</p> <p>D. Replace control. Refer to the installer/dealer.</p>
4. User keypad indicator bar keeps scanning at power-up.	<p>A. Control program is locked.</p> <p>B. Wiring harness from user keypad to control is loose, disconnected, or damaged.</p> <p>C. User keypad does not work.</p> <p>D. Control does not work.</p>	<p>A. Reset GFCI or RCD.</p> <p>B. Check wiring for proper connections. Replace wiring harness if necessary. Refer to the installer/dealer.</p> <p>C. Replace user keypad. Refer to the installer/dealer.</p> <p>D. Replace control. Refer to the installer/dealer.</p>
5. User keypad is illuminated, but pump will not start.	<p>A. Power cord from pump to control is loose, disconnected, or damaged.</p> <p>B. Pump does not work.</p> <p>C. Control does not work.</p>	<p>A. Check wiring for proper connections. If problem persists, Refer to the installer/dealer.</p> <p>B. Replace pump. Refer to the installer/dealer.</p> <p>C. Replace control. Refer to the installer/dealer.</p>
6. Motor runs but pump will not prime (cavitates).	<p>A. Motor/Pump is shimmed too high.</p> <p>B. Small air leak at pump inlet.</p>	<p>A. Lower pump/control to subfloor level.</p> <p>B. Securely tighten nut(s) on intake side of pump.</p>

Troubleshooting Procedures (cont.)

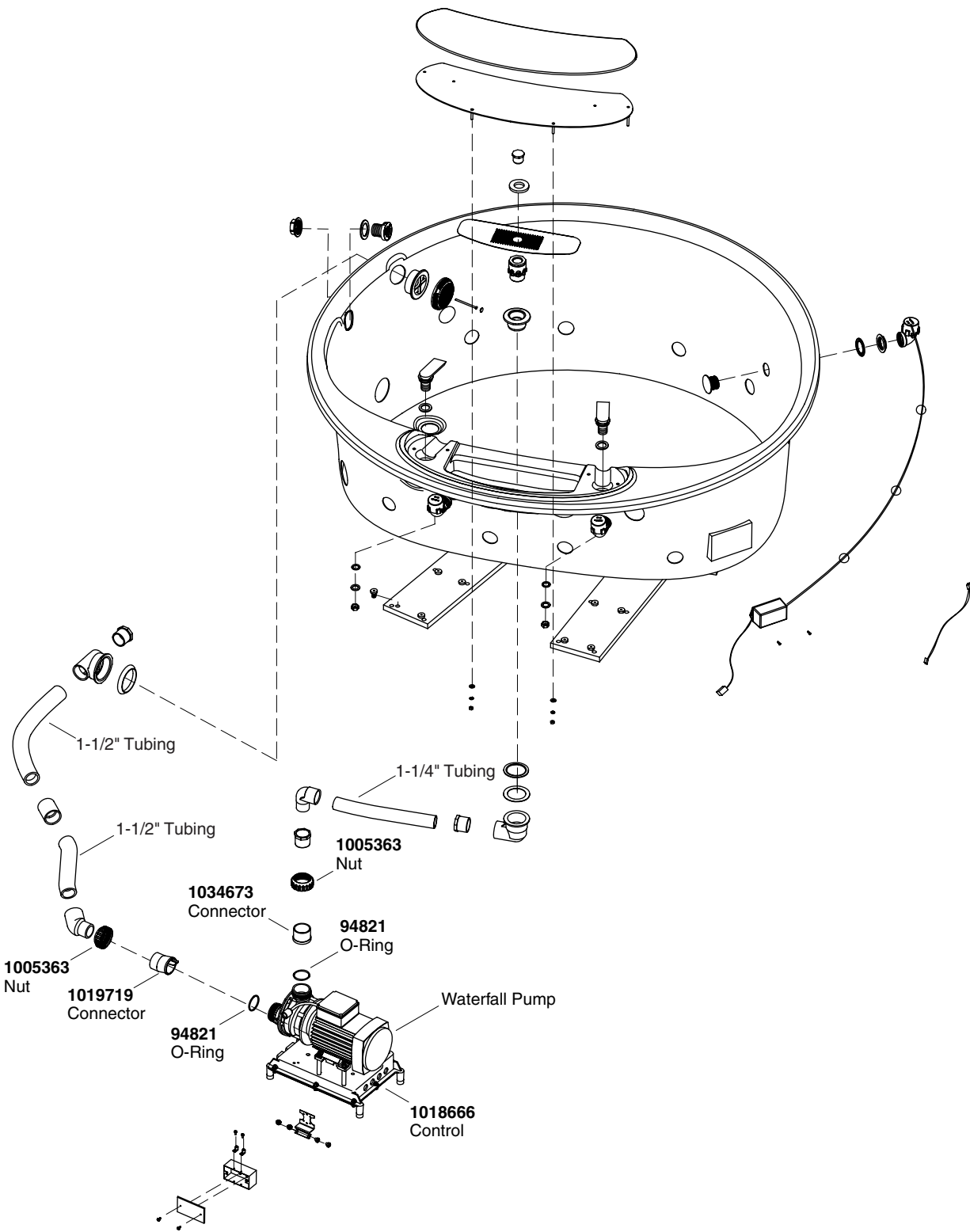
Symptoms	Probable Causes	Recommended Action
	<p>C. Motor/pump does not work.</p> <p>D. Control does not work.</p>	<p>C. Replace motor/pump. Refer to the installer/dealer.</p> <p>D. Replace control. Refer to the installer/dealer.</p>
7. Little or poor water flow from dual fill ports (if included).	<p>A. Water supply lines blocked</p> <p>B. Transfer valve not fully open.</p>	<p>A. Remove blockage.</p> <p>B. Rotate transfer valve handle.</p>
8. Little or poor water flow from Waterfall.	<p>A. Suction or harness blocked.</p> <p>B. Pump does not work.</p> <p>C. Control does not work.</p>	<p>A. Remove blockage.</p> <p>B. Replace pump. Refer to the installer/dealer.</p> <p>C. Replace control. Refer to the installer/dealer.</p>
9. Riverjets run, but Whitewater/Rapids jets do not operate as described.	<p>A. Insufficient water in whirlpool basin.</p> <p>B. User keypad does not work.</p> <p>C. Butterfly valve does not work.</p> <p>D. Control does not work.</p>	<p>A. Fill whirlpool so water covers water-level sensors.</p> <p>B. Replace user keypad. Refer to the installer/dealer.</p> <p>C. Check wiring. Replace butterfly valve. Refer to the installer/dealer.</p> <p>D. Replace control. Refer to the installer/dealer.</p>
10. Up/down volume control arrows do not change water flow as described.	<p>A. User keypad does not work.</p> <p>B. Pump does not work.</p> <p>C. Control does not work.</p>	<p>A. Check wiring. Replace user keypad. Refer to the installer/dealer.</p> <p>B. Replace pump. Refer to the installer/dealer.</p> <p>C. Replace control. Refer to the installer/dealer.</p>
11. Air flow through jets does not stop when Tidepool mode is activated.	<p>A. User keypad does not work.</p> <p>B. Butterfly valve does not work.</p> <p>C. Control does not work.</p>	<p>A. Check wiring. Replace user keypad. Refer to the installer/dealer.</p> <p>B. Check wiring. Replace butterfly valve. Refer to the installer/dealer.</p> <p>C. Replace control. Refer to the installer/dealer.</p>
12. Air continues to flow through one or more jets for several seconds after Tidepool mode is activated.	<p>A. Normal operation - air will stop flowing in a short time.</p>	<p>A. No action required.</p>
13. Pump stops before 18 minutes.	<p>A. GFCI or RCD tripped.</p> <p>B. Suction is blocked.</p> <p>C. Jets are blocked.</p> <p>D. Motor overheated and protection device activated.</p>	<p>A. Identify source of fault, and correct. Reset GFCI or RCD.</p> <p>B. Remove obstruction.</p> <p>C. Remove blockage.</p> <p>D. Check for blockage at suction and/or jets. Remove blockage and allow motor to cool.</p>
14. Pump does not automatically stop after 22 minutes.	<p>A. 20-minute timer inadvertently disabled.</p>	<p>A. See Service Manual.</p>

Troubleshooting Procedures (cont.)

Symptoms	Probable Causes	Recommended Action
15. Pump will not turn off when the power button on user keypad is pressed.	<p>A. User keypad does not work.</p> <p>B. Control does not work.</p>	<p>A. Replace user keypad. Refer to the installer/dealer.</p> <p>B. Replace control. Refer to the installer/dealer.</p>
16. Pump operates but variable speed feature does not work.	<p>A. Motor/pump does not work.</p> <p>B. Control does not work.</p>	<p>A. Replace motor/pump. Refer to the installer/dealer.</p> <p>B. Replace control. Refer to the installer/dealer.</p>
17. Bath water cools while pump is operating.	<p>A. Water temperature above 104°F (40°C).</p> <p>B. Heater is turned off on user keypad.</p> <p>C. Wiring from heater to control is loose, disconnected, or damaged.</p> <p>D. Heater does not work.</p> <p>E. Control does not work.</p>	<p>A. Allow bath water to cool.</p> <p>B. Turn heater on.</p> <p>C. Check wiring for proper connections. Refer to the installer/dealer.</p> <p>D. Replace heater. Refer to the installer/dealer.</p> <p>E. Replace control. Refer to the installer/dealer.</p>
18. Noisy operation.	<p>A. Pump banding straps have not been cut.</p> <p>B. Dry or dislodged jet O-ring (squeal).</p>	<p>A. Cut pump banding straps with tin snips.</p> <p>B. Remove jet, replace and lubricate O-ring, and reinstall jet.</p>
19. Remote control (if equipped) does not work.	<p>A. Batteries improperly installed or dead.</p> <p>B. Antenna on wiring harness is damaged.</p> <p>C. Remote control not programmed correctly.</p> <p>D. Remote control does not work.</p> <p>E. Control does not work.</p>	<p>A. Replace batteries.</p> <p>B. Replace wiring harness. Refer to the installer/dealer.</p> <p>C. See Homeowners Guide or Service Manual.</p> <p>D. Replace remote control.</p> <p>E. Replace control. Refer to the installer/dealer.</p>

Troubleshooting the Chromotherapy Lights (H2 Models Only)

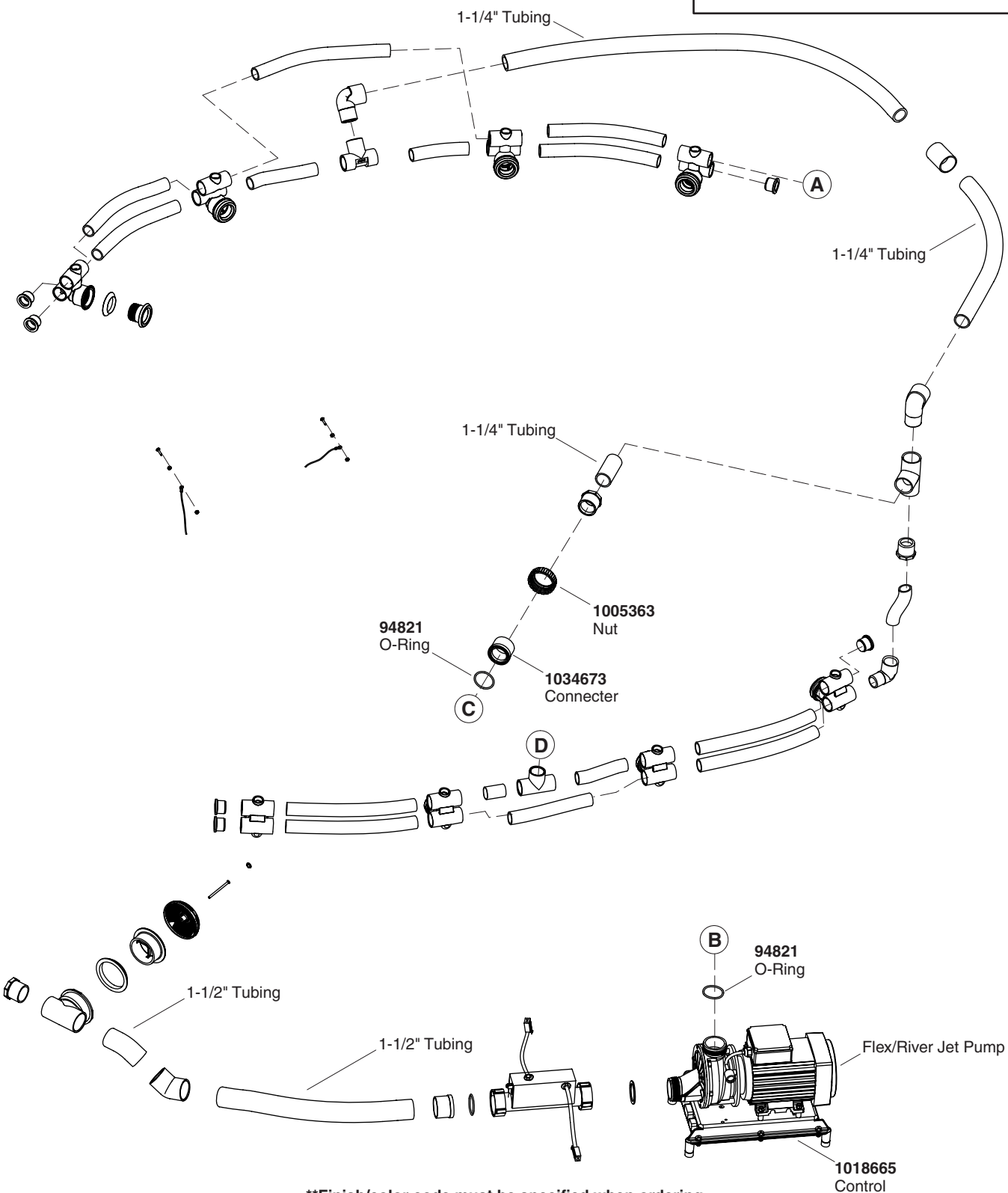
Symptoms	Probable Causes	Recommended Action
20. Chromotherapy lights do not work.	<p>A. Loose, disconnected, or damaged wiring/connections.</p> <p>B. Control does not work.</p>	<p>A. Check wiring for proper connections. Replace wiring if necessary. Refer to the installer/dealer.</p> <p>B. Replace control. Refer to the installer/dealer.</p>



****Finish/color code must be specified when ordering**

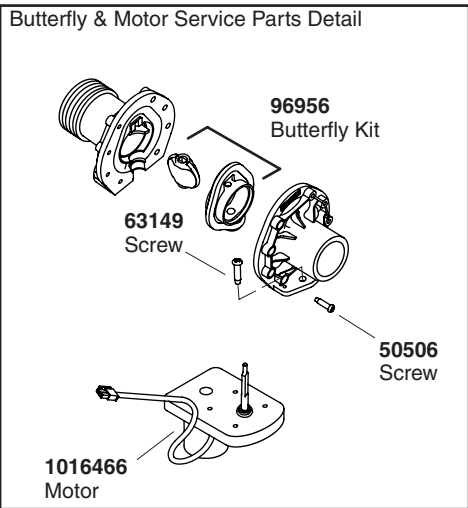
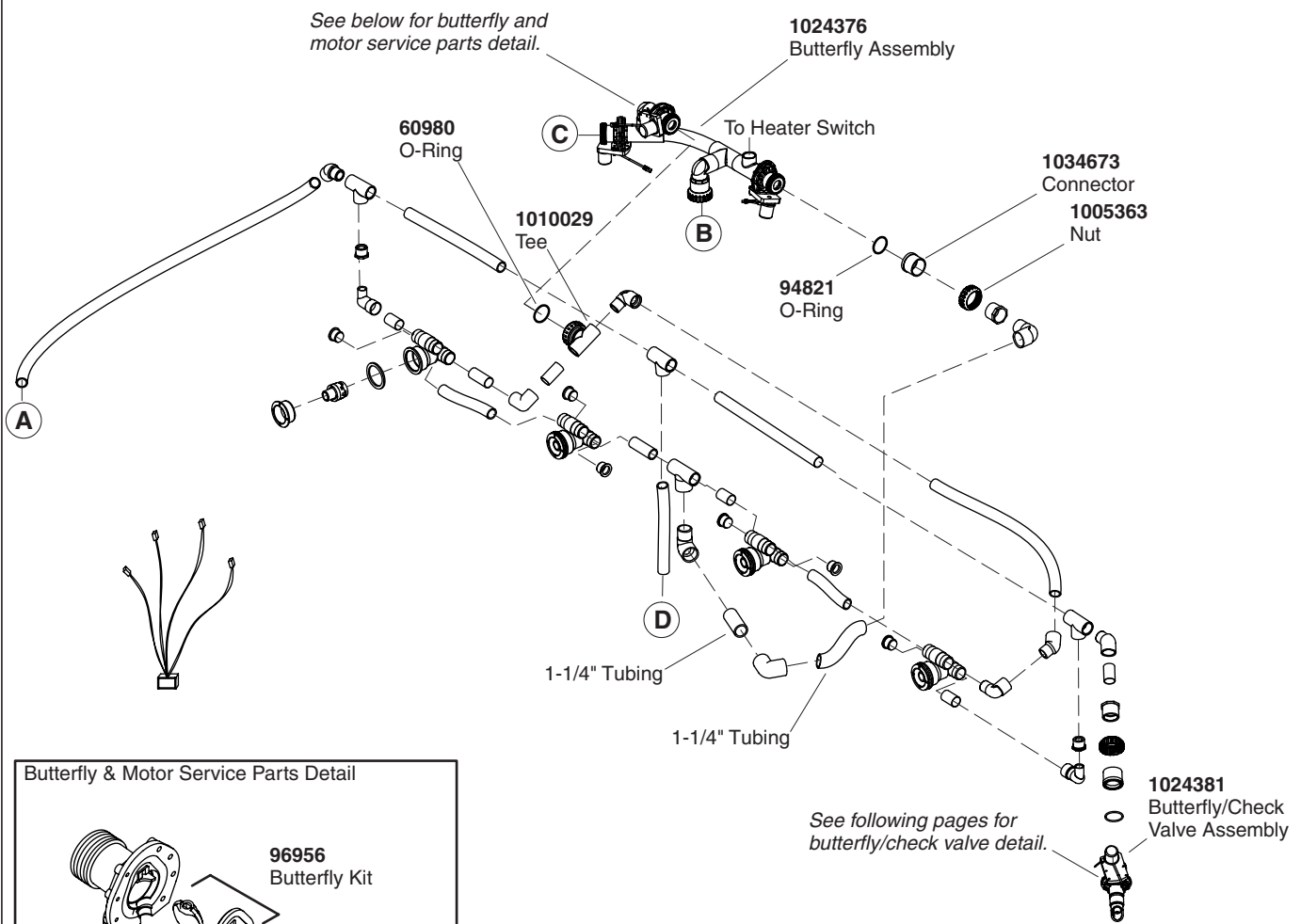
Service Parts

***Note: All tubing 1" unless otherwise noted.**

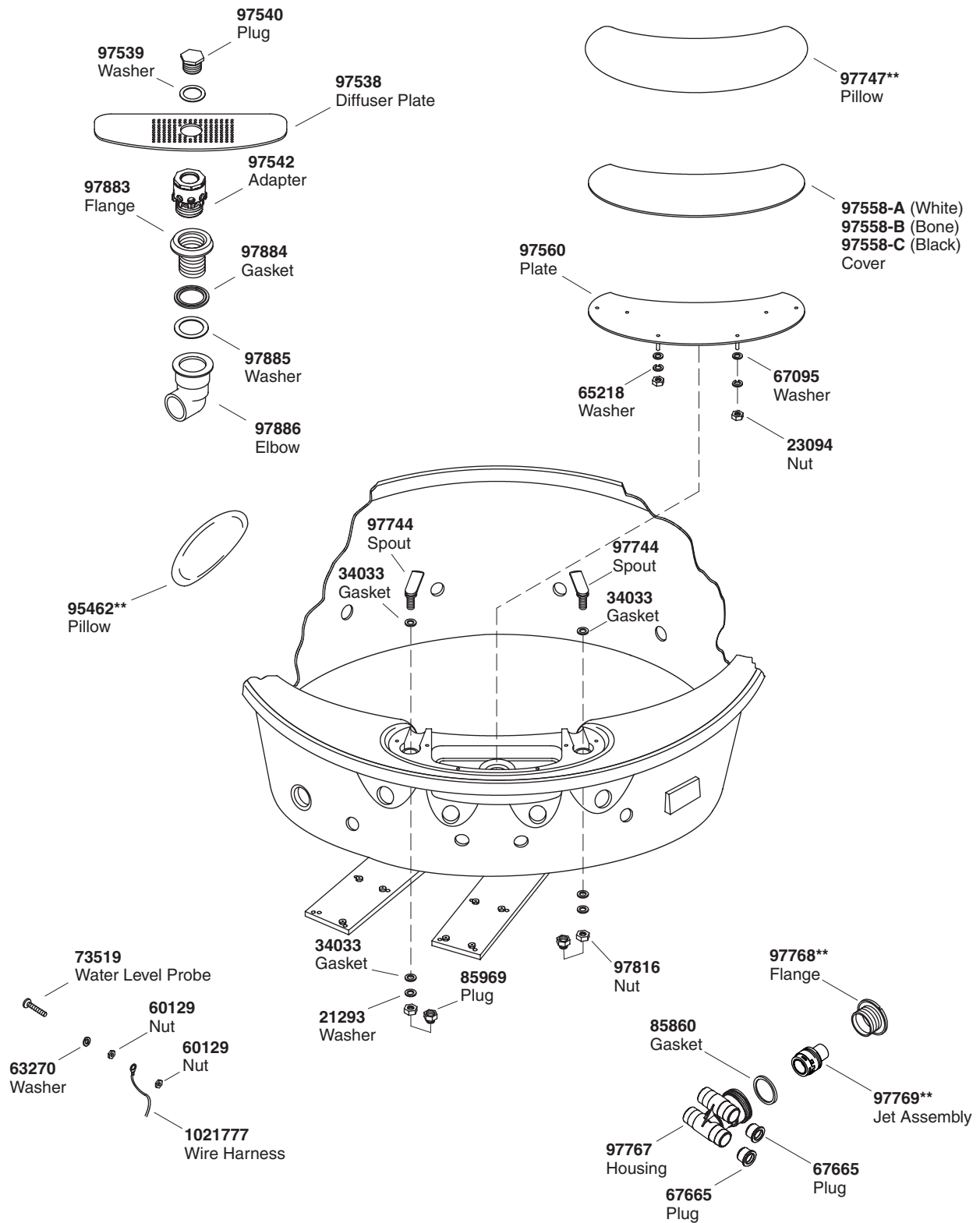


****Finish/color code must be specified when ordering**

***Note:** All tubing 1" unless otherwise noted.

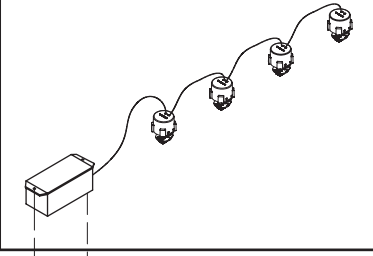


****Finish/color code must be specified when ordering**

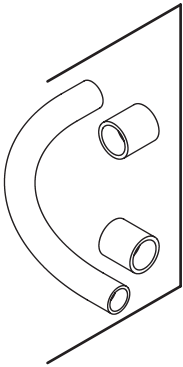


****Finish/color code must be specified when ordering**

1019933
Chromatherapy Lights

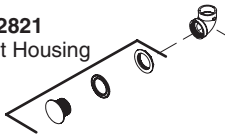


93192
Screw

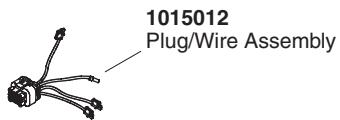


93836 (1/2")
93838 (1")
93839 (1-1/4")
94853 (1-1/2")
Tube (w/Couplings)

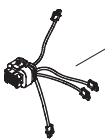
1012821
Light Housing



1010618
Elbow



1015012
Plug/Wire Assembly



1015023
Plug/Wire Assembly

1003065
Suction Flange
Removal Tool



73518
Plug



93685
Housing



96708
Flange



65886
Gasket



65054**
Screw



96895** (Colored Finishes)
65061** (Metal Finishes)
Cover

65226**
Suction Cover Plug



91967
Check Valve



94469
Flange Removal Tool



67665
Plug



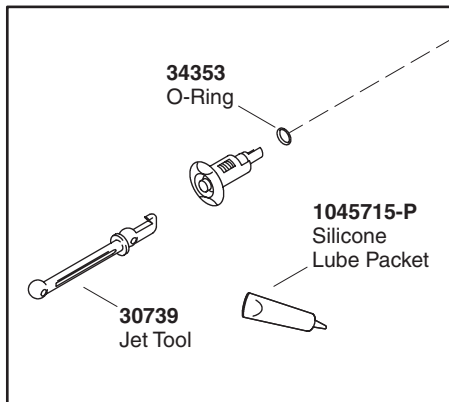
67429
Flange



67889
Jet Housing



65885
Gasket



34353
O-Ring



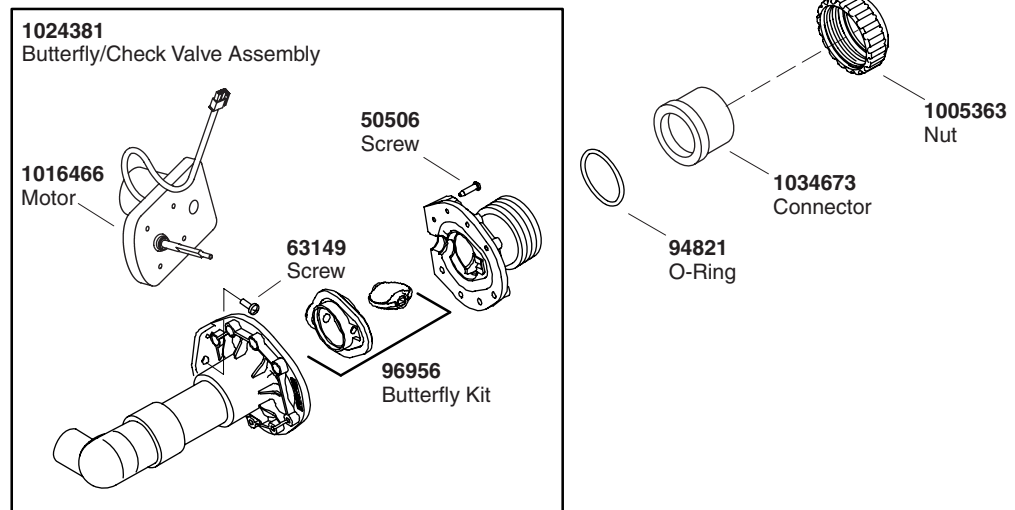
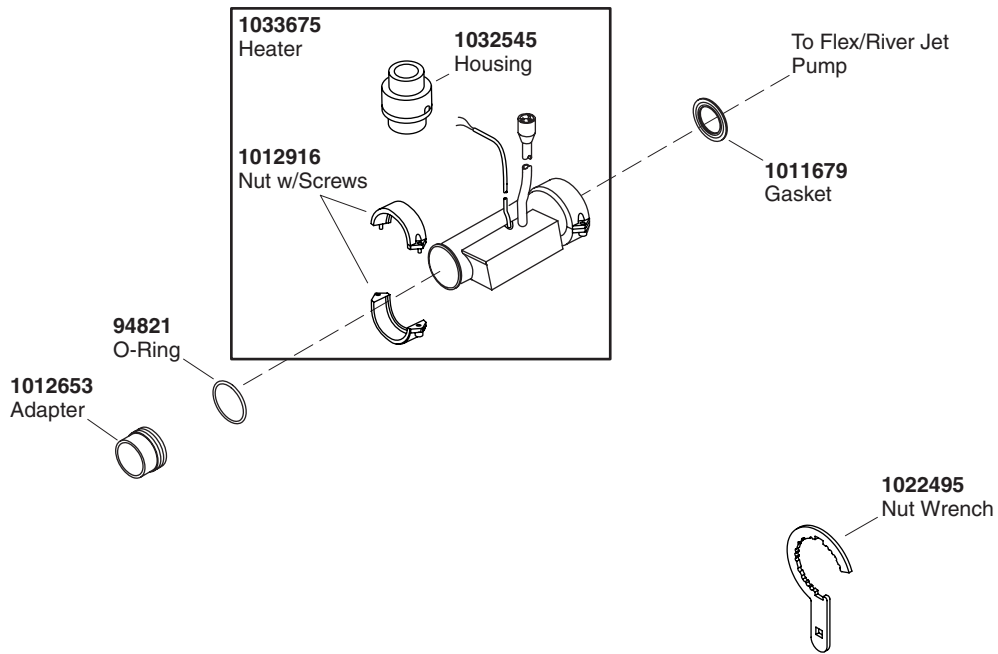
1045715-P
Silicone
Lube Packet



30739
Jet Tool

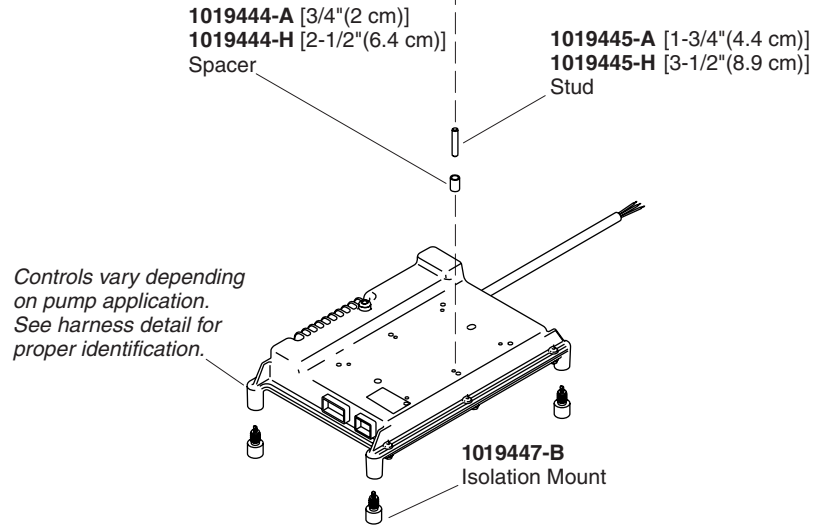
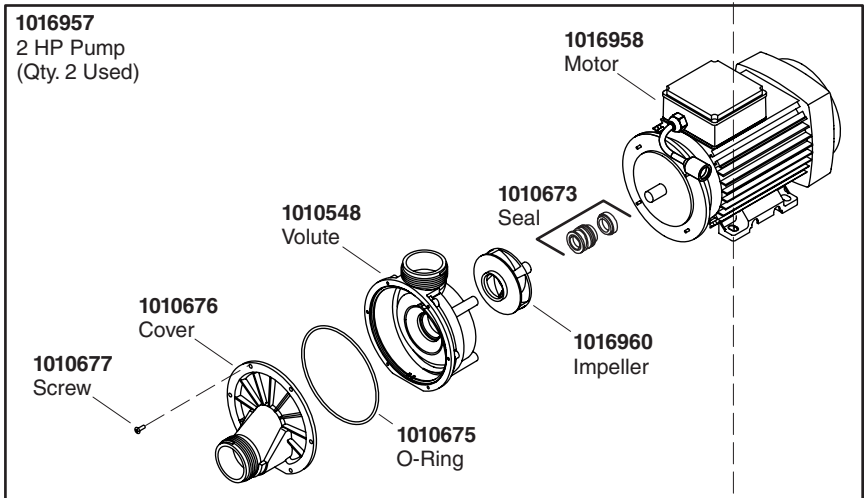
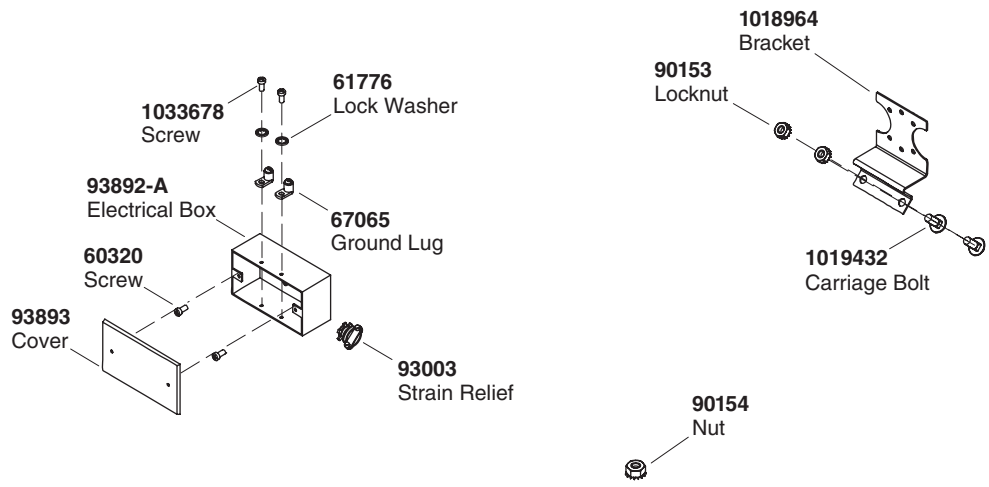
**Single Jet for Whirlpools
with 6 or More Jets**
88530** (Colored Finishes)
88529** (Metal Finishes)
Jet

****Finish/color code must be specified when ordering**

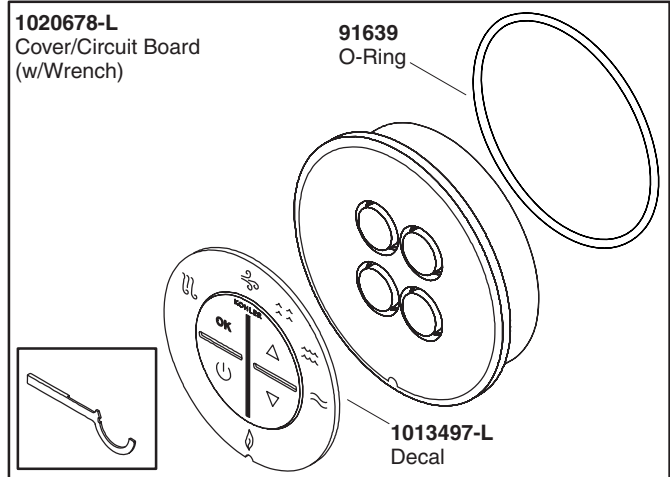
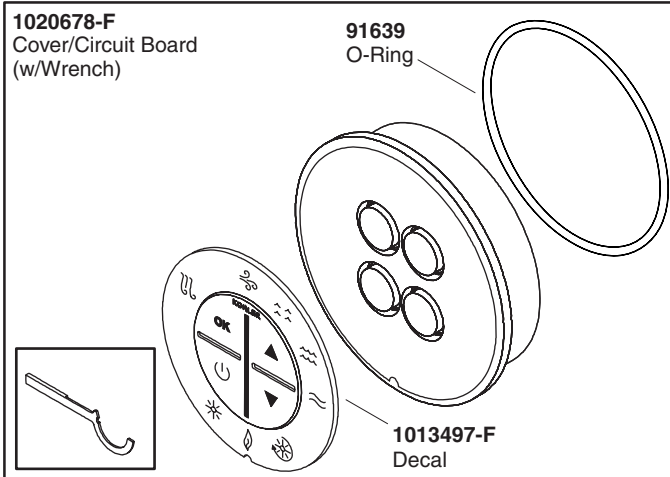
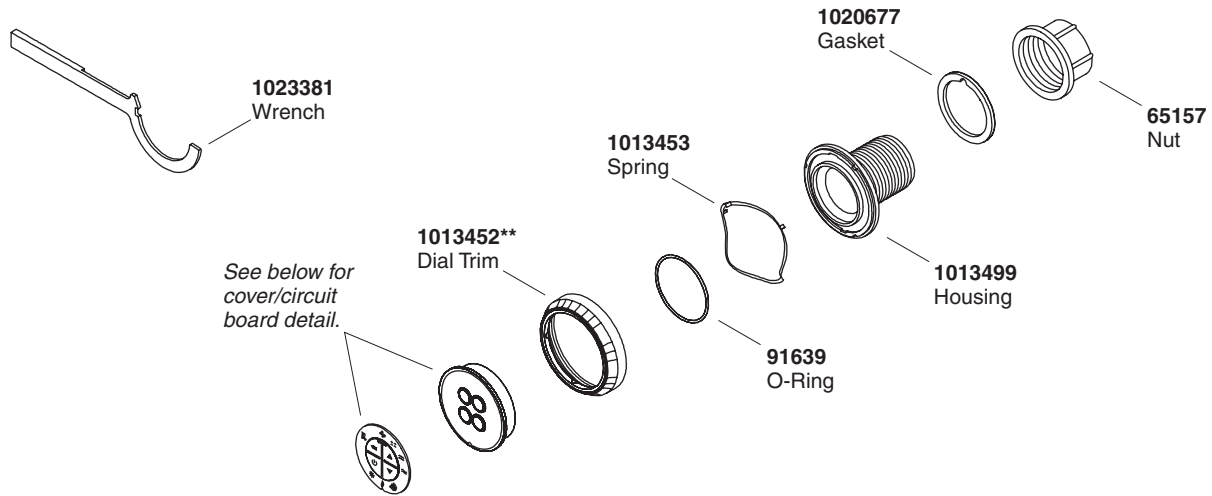


****Finish/color code must be specified when ordering**

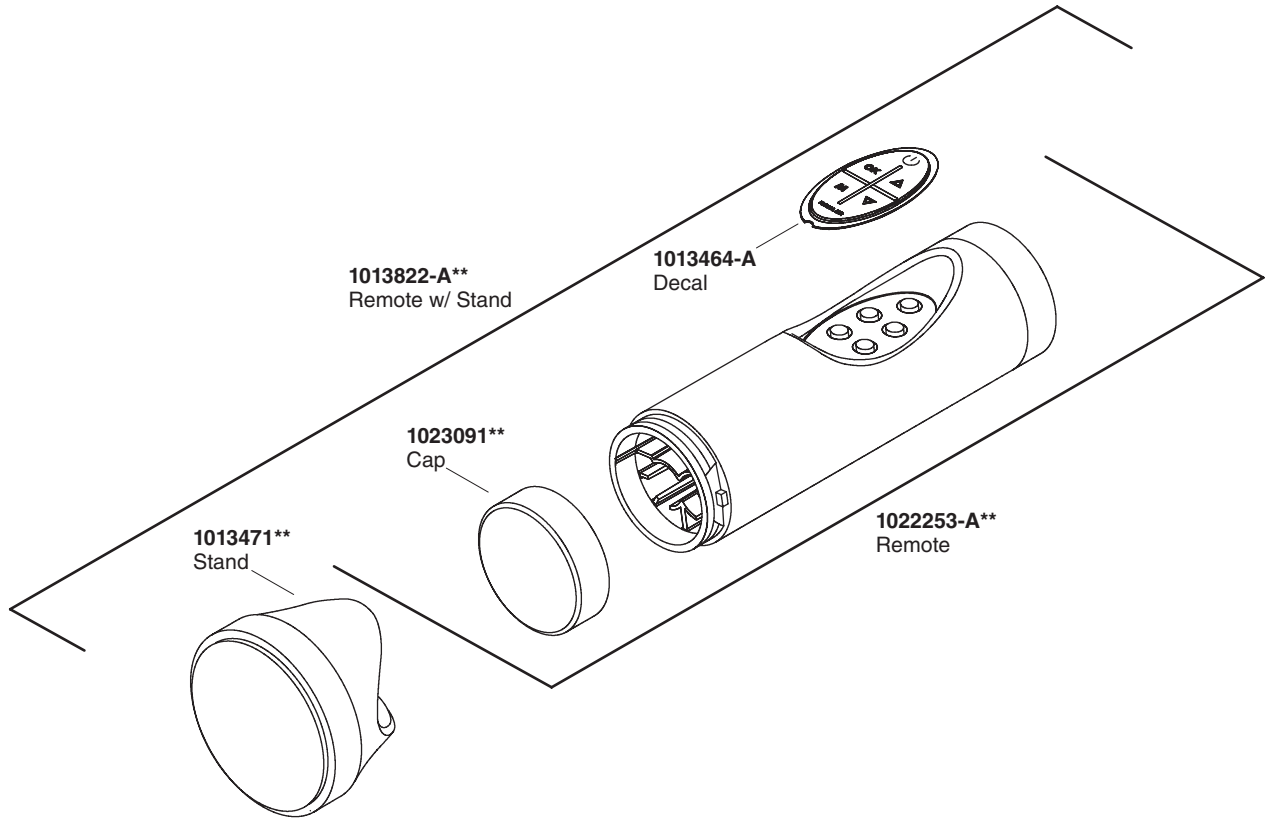
61845-K
Copper Grounding Wire



****Finish/color code must be specified when ordering**



****Finish/color code must be specified when ordering**



****Finish/color code must be specified when ordering**

Guide du propriétaire

Baignoire à hydromassage

Renseignements importants

CONSIGNES RELATIVES AUX RISQUES D'INCENDIE, D'ÉLECTROCUTION OU DE BLESSURES CORPORELLES

LIRE ET SUIVRE TOUTES LES INSTRUCTIONS

CONSERVER CES INSTRUCTIONS



AVERTISSEMENT : Lors de l'utilisation des produits électriques, des précautions de base devraient toujours être observées, incluant ce qui suit:



DANGER : Risque de blessures corporelles. Afin de réduire les risques de blessures, ne jamais permettre à un enfant d'utiliser cet appareil sans surveillance.



AVERTISSEMENT : Risque de blessures corporelles. Pour éviter les blessures corporelles, entrer et sortir avec précaution de la baignoire à hydromassage.



AVERTISSEMENT : Risque d'électrocution. Ne pas raccorder d'appareils électriques (tels que sèche-cheveux, lampe, téléphone, radio ou télévisions) dans les 5' (1,5 m) de cette baignoire à hydromassage.



AVERTISSEMENT : Risque d'hyperthermie. Les personnes sous médicaments ou qui sont en observation médicale doivent consulter leur médecin avant d'utiliser des baignoires à hydromassage équipées de chauffeau.

Utiliser cette baignoire à hydromassage uniquement pour un usage tel que décrit dans ce manuel. Ne pas utiliser des fixations non recommandées par le fabricant.

Ne jamais faire tomber ou insérer d'objet quelconque dans les ouvertures.

Ne pas utiliser cet appareil sans ses protecteurs (couvercles) sur ses raccords d'aspiration.

La baignoire à hydromassage doit être raccordée uniquement à une prise de terre, protégée par un disjoncteur différentiel (GFCI) ou un appareil de courant résiduel (RCD). De tels disjoncteurs GFCI ou RCD devraient être fournis par l'installateur et vérifiés régulièrement. Appuyer sur le bouton de test pour tester les disjoncteurs GFCI ou RCD. Le GFCI ou RCD devraient couper le courant. Appuyer sur le bouton de ré-initialisation. L'alimentation devrait être restituée. Si les disjoncteurs GFCI ou RCD ne fonctionnent pas de cette façon, l'un ou l'autre est défectueux. Si les disjoncteurs GFCI ou RCD stoppent l'alimentation électrique à la baignoire sans que le bouton test ne soit utilisé, il y a donc un court circuit indiquant la possibilité de choc électrique. Ne pas utiliser pas cette baignoire à hydromassage. Débrancher la baignoire à hydromassage et la faire réviser par un technicien qualifié avant son utilisation.



AVERTISSEMENT : La consommation d'alcool, de drogues ou de médicaments peuvent augmenter considérablement le risque fatal d'hyperthermie. Une immersion prolongée dans l'eau chaude peut provoquer l'hyperthermie. L'hyperthermie a lieu lorsque la température corporelle interne atteint plusieurs degrés au dessus de la température normale de 98.6° F (37°C). Les symptômes d'hyperthermie comprennent la hausse de la température corporelle, l'étourdissement, la léthargie, la somnolence et l'évanouissement. Les effets de l'hyperthermie comprennent: (a) défaut de percevoir la chaleur, (b) défaut de s'apercevoir du besoin de sortir de la baignoire, (c) incapacité de reconnaître le danger, (d) dommages au fœtus dans le cas des femmes enceintes, (e)

Renseignements importants (cont.)

incapacité physique de sortir de la baignoire et (f) inconscience et danger conséquent de noyade.

IMPORTANT ! Purger le système d'hydromassage deux fois par mois ou plus souvent selon la fréquence d'usage, tel que décrit dans la section "Purger le système d'hydromassage".

Ne pas laisser la température de la baignoire à hydromassage excéder 104° F (40°C).

Ne pas laisser de petits objets tels que des jouets ou accessoires pour le bain dans la baignoire à hydromassage lorsqu'elle est en marche.

L'utilisation répétée de produits d'hygiène et de beauté contenant des huiles peut endommager les revêtements en plastique des composants de la baignoire à hydromassage. Ne pas utiliser de shampoings ou d'huiles de bains à bases végétales.

L'action de la baignoire à hydromassage peut considérablement faire mousser une quantité de produit moussant, même très petite, de savon, de shampoing ou d'huile pour le bain. Pour cette raison, nous vous conseillons de ne pas utiliser ces produits dans votre baignoire à hydromassage.

Sommaire

Renseignements importants	1
Merci d'avoir choisi la compagnie Kohler	2
Votre baignoire à hydromassage Kohler	2
Fonctions et modes d'hydromassage	4
Opération du clavier de l'utilisateur	5
Remplir la baignoire à hydromassage	5
Opérer votre baignoire à hydromassage	6
Opération de chromothérapie (Modèles H2 uniquement)	7
Modes "Veille" du clavier de l'utilisateur -	7
Télécommande	8
Programmer la télécommande	8
Conforme FCC	9
Entretien et nettoyage	9
Purger le système de baignoire d'hydromassage	9
Garantie limitée d'un an	10
Procédures de dépannage	10
Pièces de rechange	14

Merci d'avoir choisi la compagnie Kohler

Merci d'avoir choisi la compagnie Kohler. Votre produit de la compagnie Kohler reflète la véritable passion du design, d'artisanat, d'art et d'innovation représentant la compagnie Kohler. Nous sommes confiants que sa fiabilité et beauté surpasseront vos exigences les plus élevées, vous satisfaisant pendant les années à venir.

Toute information contenue dans ce guide est basée sur l'information la plus récente du produit disponible au moment de la publication. A la compagnie Kohler, nous aspirons à remplir notre mission d'améliorer le niveau de vie gracieux pour chaque individu affecté par nos produits et services. Nous nous réservons le droit d'apporter toutes modifications aux caractéristiques, emballages ou disponibilités des produits, et ceci à tout moment et sans préavis.

Veillez prendre s'il vous plaît quelques minutes pour étudier ce guide. Prêter une attention toute particulière aux instructions d'entretien et de nettoyage.

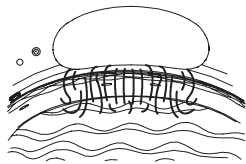
Votre baignoire à hydromassage Kohler

Votre nouvelle baignoire à hydromassage est conçue pour relaxer, stimuler, revigorer et tonifier votre corps. La baignoire à hydromassage consiste en les éléments suivants:

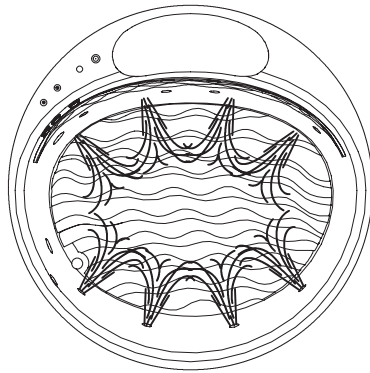
- **Baignoire** - La baignoire agit comme un réservoir d'eau et fournit un espace pour l'action d'hydromassage.

Votre baignoire à hydromassage Kohler (cont.)

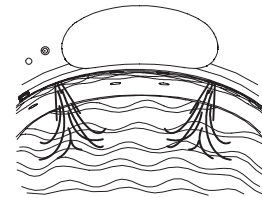
- **Clavier de l'utilisateur** - Simple d'accès, le clavier de l'utilisateur vous permet de démarrer ou d'arrêter votre baignoire à hydromassage. Il vous permet aussi d'accéder à tous les modes de la baignoire à hydromassage et au réglage du débit d'eau ou de la puissance d'impulsion. Les symboles illuminés en bleu indiquent la disponibilité des modes/fonctions. Les modes actifs seront illuminés en vert.
- **Moteurs de pompe** - Les moteurs de la pompe procurent une énergie silencieuse et à vitesse variable pour la circulation d'eau et crée l'action d'hydromassage. Votre baignoire à hydromassage utilise deux moteurs de pompes. Un moteur de pompe alimente la Cascade, et une deuxième pompe propulse l'eau par les Flexjets et les RiverJets (jets de style rivière).
- **Flexjets** - Positionnés de manière stratégique pour optimiser l'effet d'hydromassage, ils permettent d'ajuster le débit d'air et d'eau, ainsi que de contrôler la direction du jet selon le désir.
- **Cascade et jets de style Rivière** - Vous permettent de maximiser le confort de votre bain en sélectionnant différents modes de fonctionnement/options.
- **Chauffe-eau** - Le chauffe-eau est conçu pour aider à maintenir automatiquement la température de l'eau jusqu'à 104°F (40°C) et pour améliorer votre expérience d'hydromassage. Le chauffe-eau s'active automatiquement lorsque la Flexjet/Jets de style Rivière sont en services, puis il s'éteint de lui-même lorsque le moteur de la pompe s'arrête. Le chauffe-eau peut être arrêté par le clavier à tout moment quand les pompes sont en marche.
- **Oreillers** - Les oreillers fournissent l'endroit parfait pour reposer la tête et se relaxer.
- **Télécommande** - La télécommande étanche permet de contrôler les fonctions de la baignoire à hydromassage de l'intérieur ou de l'extérieur de la baignoire.



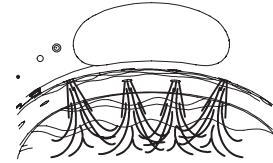
Mode Cascade



Baignoire à hydromassage Flexjet



Jets de Style Rivières - Mode Eau Vive

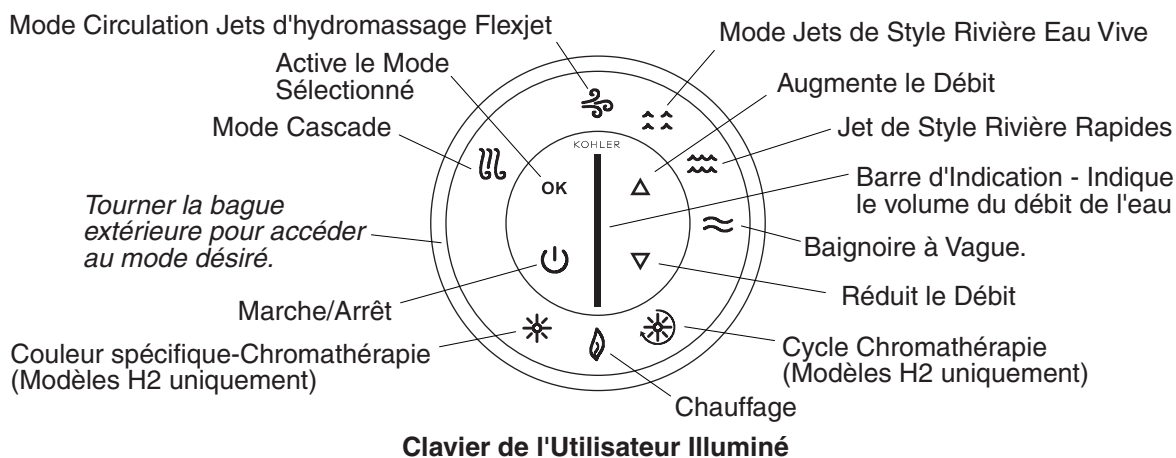


Jets de Style Rivière - Mode Rapides

Fonctions et modes d'hydromassage

Votre baignoire offre plusieurs expériences distinctes d'hydromassage:

- **Cascade** - On peut utiliser Cascade seul ou avec les Flexjets, ou Riverjets (de style rivière) soit en mode Whitewater ou mode Rapides.
- **Flexjets** - Les huit Flexjets, localisés sous les jets Rivière de la baignoire à hydromassage, fournissent une action revigorante.
- **Eau Vive** - Le mode Eau Vive active les deux Jets Rivière localisés derrière votre cou pour créer un effet tourbillons.
- **Rapides** - Le mode Rapides active tous les quatre Jets Rivière derrière votre cou pour créer un effet tourbillons.
- **Baignoire à vague** - Cette option coupe l'arrivée d'air au jets pour un effet relaxant. Le mode Vague peut être utilisé à tout moment quand les jets sont en marche. Le mode Vague n'affecte pas le mode Cascade.
- **Cycle chromothérapie (Modèles H2 uniquement)** - Les lumières de chromothérapie s'illumineront automatiquement et de manière continue à travers un cycle de huit couleurs: blanc, violet, bleu indigo, aigue-marine, verte, jaune, orange et rouge. Un cycle des huit couleurs dure à peu près une minute.
- **Sélection spécifique de couleur de chromothérapie (Modèles H2 uniquement)** - Lorsque ce mode est sélectionné, vous pouvez sélectionner une couleur spécifique pour la baignoire.



Opération du clavier de l'utilisateur

REMARQUE : Les symboles illuminés en bleu indiquent la disponibilité des modes/fonctions. Les modes actifs seront illuminés en vert.

- **Cycle de chromathérapie (Modèles H2 uniquement)** - Les lumières de chromathérapie s'illumineront automatiquement et de manière continue à travers un cycle de huit couleurs: blanc, violet, bleu indigo, aigue-marine, verte, jaune, orange et rouge. Un cycle des huit couleurs dure à peu près une minute.
- **Sélection spécifique de couleur de chromathérapie (Modèles H2 uniquement)** - Lorsque ce mode est sélectionné, vous pouvez sélectionner une couleur spécifique pour la baignoire.
- **Mode Cascade** - Vous pouvez utiliser la Cascade seule, ou avec un des modes suivants: FlexJet, ou Rivière alternativement sous le mode Eau Vive ou mode Rapides.
- **Eau Vive** - Le mode Eau Vive active les deux Jets Rivière localisés derrière votre cou pour créer un effet tourbillons.
- **Rapides** - Le mode Rapides active tous les quatre Jets Rivière derrière votre cou pour créer un effet tourbillons.
- **Baignoire à vague** - Cette option coupe l'arrivée d'air au jets pour un effet relaxant. Le mode Vague peut être utilisé à tout moment quand les jets sont en marche. Le mode Vague n'affecte pas le mode Cascade.
- **Mode Flexjet** - Les huit Flexjets, localisés sous les jets Rivière de la baignoire à hydromassage, fournissent une action revigorante.

Remplir la baignoire à hydromassage

REMARQUE : Veuillez lire avec attention ces étapes avant d'opérer la baignoire à hydromassage.

REMARQUE : La température de la baignoire à hydromassage ne devrait pas excéder 104°F (40° C). Le chauffe-eau s'arrêtera automatiquement si la température dépasse 104°F (40C) et restera arrêté jusqu'à ce que l'eau refroidisse.

- Tourner complètement la bague du jet vers la gauche. Orienter les jets vers le fond du bassin.

REMARQUE : Uniquement pour le style Cascade (sans Flexjet ou Jet de Style Rivière), votre baignoire ne nécessite d'être remplie qu'à un niveau de 2" (5,1 cm) au-dessus des bouches d'aspiration.

REMARQUE : Uniquement pour le style Cascade et Flexjet (pas Jet de Style Rivière), votre baignoire ne nécessite d'être remplie qu'à un niveau de 2" (5,1 cm) au-dessus du jet Flexjet le plus élevé.

- **Pour opérer toutes les fonctions:** Remplir la baignoire à hydromassage au-dessus des capteurs de niveau d'eau aux côtés des jets de style Rivière.

Remplir la baignoire à hydromassage (cont.)

REMARQUE : Les jets de Style Rivière ne fonctionneront que si les deux capteurs de niveau d'eau sont complètement immergés. Si le niveau d'eau descend sous les capteurs, les jets de style Rivière s'arrêtent immédiatement et les Flexjet s'activeront. Le mode Jet de Style Rivière et le mode Flexjet ne fonctionneront pas en même temps.

Opérer votre baignoire à hydromassage

REMARQUE : Un chauffe-eau intégré aide automatiquement à maintenir la température de l'eau constante quand la baignoire à hydromassage est en route, et tant que la température de l'eau ne dépasse 104°F (40°C). Le chauffage s'arrêtera automatiquement aux températures plus élevées.

- **Pour mettre la baignoire à hydromassage en marche :** Appuyer sur le bouton Marche/Arrêt ou tourner la bague extérieure pour accéder au mode désiré, comme décrit ci-dessus.
- **Pour accéder au mode désiré :** Tourner la bague extérieure jusqu'à ce que l'icône bleue clignote. Appuyer sur "OK" pour activer le mode désiré. Le mode sélectionné clignotera en vert. Pour arrêter un mode, tourner la bague extérieure jusqu'à ce que le voyant vert clignote et appuyer sur "OK" de nouveau. L'icône deviendra bleue indiquant le mode d'arrêt.
- **Cascade :** Lorsqu'elle est activée, la Cascade commencera à couler à un débit moyen en quelques secondes. Le mode Cascade n'est pas chauffé. Augmenter ou diminuer le débit de l'eau en pressant sur les flèches haut et bas du clavier. Une barre d'indication située au centre du clavier indique le volume du débit d'eau. Vous pouvez utiliser la Cascade seule, ou avec: FlexJet, ou Rivière alternativement sous le mode Eau Vive ou mode Rapides.
- **Flexjets:** Lorsqu'ils sont activés, les jets Flexjets, localisés sous les Jets de Style Rivière de la baignoire à hydromassage, commenceront immédiatement à un débit moyen. Augmenter ou diminuer le débit de l'eau en pressant sur les flèches haut et bas du clavier. Une barre d'indication située au centre du clavier indique le volume du débit d'eau.
- **Eau Vive:** Le mode Eau Vive actionne les deux Jets de Style Rivière localisés derrière votre cou à débit moyen. Augmenter ou diminuer le débit de l'eau en pressant sur les flèches haut et bas du clavier. Une barre d'indication située au centre du clavier indique le volume du débit d'eau.
- **Rapides:** Le mode Rapides actionne tous les quatre Jets de Style Rivière situés derrière votre cou à débit moyen. Augmenter ou diminuer le débit de l'eau en pressant sur les flèches haut et bas du clavier. Une barre d'indication située au centre du clavier indique le volume du débit d'eau.
- **Baignoire à Vagues:** Cette option coupe l'arrivée d'air au jets pour un effet relaxant. Le mode Vague peut être utilisé à tout moment quand les jets sont en marche. Le mode Vague n'affecte pas le mode Cascade.

REMARQUE : De l'air pourrait émaner d'un ou plusieurs jets pendant un court instant après que l'option Tidepool (vague) ait été activée.

- **Chauffe-eau:** Un chauffage encastré aide automatiquement à maintenir la température de l'eau constante quand la baignoire à jets d'air fonctionne, et tant que la température de l'eau ne dépasse 104°F (40°C). Le chauffe-eau peut être arrêté à tout moment quand la pompe est activée, en tournant la bague extérieure jusqu'à ce que le voyant clignote et en appuyant sur "OK". Presser encore une fois sur "OK" pour remettre le chauffe-eau en fonction.
- Votre baignoire à hydromassage rajoute de l'air dans le courant d'eau (quand le mode Vague est arrêté) pour augmenter la force du débit de l'eau. Diminuer la force de l'eau de votre baignoire à hydromassage en tournant les bagues des jets dans le sens des aiguilles d'une montre jusqu'à l'obtention de la puissance désirée. Tourner les anneaux Flexjet dans le sens contraire des aiguilles d'une montre pour augmenter la puissance de l'eau.

REMARQUE : Une minuterie intégrée arrête automatiquement la pompe et le moteur après environ 20 minutes d'opération.

- Presser le Bouton On/Off pour activer la baignoire à hydromassage.

Opération de chromathérapie (Modèles H2 uniquement)

REMARQUE : La chromathérapie peut être utilisée avec tous les modes d'opération. La chromathérapie peut être utilisée quand les pompes ne sont pas en marche.

Cycle de chromathérapie -Lorsque ce mode est activé, les lumières de chromathérapie alterneront automatiquement et de manière continue les huit couleurs: blanc, violet, bleu indigo, aigue-marine, verte, jaune, orange et rouge. Un cycle des huit couleurs dure à peu près une minute.

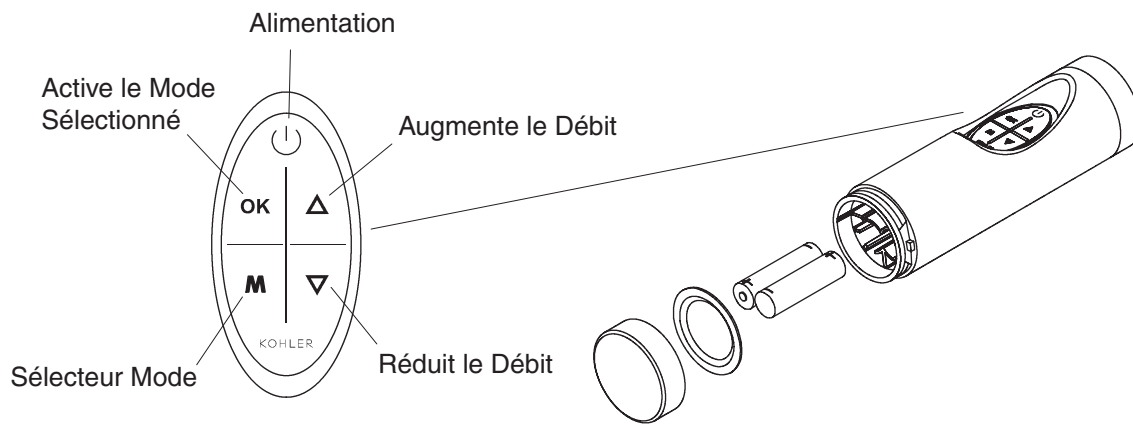
- Tourner la bague extérieure pour sélectionner ce mode et appuyer sur "OK" pour l'activer.
- Appuyer sur "OK" quand le mode chromathérapie est actif pour l'éteindre.

Sélection d'une couleur de chromathérapie spécifique - Lorsque ce mode est activé, vous pouvez sélectionner une couleur spécifique pour votre bain.

- Tourner la bague extérieure pour sélectionner ce mode et appuyer sur "OK" pour l'activer.
- Utiliser les flèches haut ou bas pour atteindre la couleur désirée et presser sur "OK" pour activer cette dernière.

Modes "Veille" du clavier de l'utilisateur -

- Pour améliorer votre expérience de bain, le clavier est programmé pour s'éteindre après environ 15 secondes d'inactivation. Seule la dernière option sélectionnée restera allumée. Pour redémarrer une commande, presser une touche quelconque ou tourner la bague extérieure.
- Approximativement 60 secondes après que tous les équipements soient arrêtés, le clavier s'assombriera pour conserver l'énergie. Presser le bouton marche ou tourner la bague extérieure pour réactiver le clavier.



Télécommande

La télécommande met toutes les fonctions de la baignoire à hydromassage à la portée de la main, pour améliorer d'avantage votre expérience de bain. Les fonctions de la télécommande sont les mêmes que celles du clavier. Vous pouvez arrêter ou démarrer la baignoire à hydromassage, arrêter ou démarrer le chauffeau, et accéder/modifier toutes les fonctions de la baignoire à hydromassage.

Le bouton de sélection de mode fonctionne de la même manière que la bague extérieure du clavier. Quand "M" est pressé, un des modes clignotera sur le clavier. Si "M" est pressé à nouveau, le prochain mode vers la droite clignotera. Quand le mode désiré clignote, presser sur "OK" pour l'activer.

Quand les modes Flexjets, Cascade, Eaux Vives, ou Rapides sont activés, les flèches augmenteront ou diminueront le volume du débit d'eau.

La télécommande étanche est conçue pour être utilisée dans le bain, et flottera sur l'eau.

Deux piles AAA sont nécessaires pour la télécommande. Pour les remplacer, dévisser simplement le couvercle et insérer les piles comme indiqué ci-dessus. Serrer soigneusement, en s'assurant que le bouchon soit en contact avec le joint.

Programmer la télécommande

IMPORTANT ! La programmation de la télécommande est requise. La baignoire à hydromassage ne répondra à aucune télécommande jusqu'à ce que la télécommande soit programmée. Si votre télécommande ou le contrôle de la pompe est remplacé, il vous sera peut être nécessaire de programmer la télécommande.

- Mettre en marche la baignoire à hydromassage.
- Arrêter tous les modes d'opération. Attendre approximativement une minute jusqu'à ce que le clavier soit complètement assombri. (Mode veille)
- Presser simultanément les boutons du clavier sur la flèche vers le HAUT, flèche vers le BAS et le "OK" simultanément. Le bouton LED, de la barre d'indication du clavier commencera à clignoter.
- Alors que la LED clignote, presser sur le bouton "OK" du clavier. Une séquence de lumières s'illuminera de haut en bas de la barre d'indication.
- Pendant que la séquence de la barre d'indication est active, presser sur n'importe quel bouton de la télécommande. Le clavier arrêtera la séquence lumière, procédera à un téléchargement puis s'assombriera. Ce clavier de l'utilisateur ne répondra qu'à cette télécommande.

REMARQUE : Si on ne presse aucun bouton de la télécommande dans les deux minutes, la baignoire à hydromassage ne répondra pas à la télécommande.

Conforme FCC

FCC ID : N82-KOHLER001

Canada ID : 4554A-KOHLER001

Déclaration de conformité (Partie 15.19)

Cet appareil est conforme avec la Partie 15 de la réglementation FCC et RSS-210 Canada Industrie. L'opération est sujette aux deux conditions suivantes:

1. Cet appareil ne devrait pas causer d'interférences dangereuses, et
2. Cet appareil doit recevoir les toutes interférences reçues, ainsi que celles qui pourraient causer des opérations non désirées.

Danger (Partie 15.21)

Tous changements et/ou modifications non expressément approuvés par la partie responsable garantissant la conformité, pourrait annuler le droit à l'utilisateur d'opérer l'équipement.

Entretien et nettoyage

Pour de meilleurs résultats, prendre ce qui suit en considération lors de l'entretien de votre produit KOHLER:

- Utiliser un détergent doux tel que liquide pour vaisselle et de l'eau chaude pour nettoyer. Ne pas utiliser de nettoyants abrasifs car ils pourraient rayer ou abîmer la surface.
- Lire attentivement l'étiquette du produit de nettoyage pour vérifier qu'il soit adéquat à utiliser sur le matériau.
- Toujours tester la solution de nettoyage sur une surface la moins évidente avant de l'appliquer sur la totalité de la surface.
- Ne pas permettre aux nettoyants de reposer sur la surface.
- Essuyer les surfaces et rincer complètement avec de l'eau immédiatement après l'application du nettoyant. Rincer et sécher tout éclaboussement sur les surfaces avoisinantes.
- Utiliser une éponge ou un chiffon doux et humide. Ne jamais utiliser de matériau abrasif tel que brosse ou éponges à récurer pour nettoyer les surfaces.

Pour l'information détaillée de nettoyage et des produits à considérer, visiter www.kohler.com/clean. Pour commander des informations d'entretien et de nettoyage, composer le 1-800-456-4537 puis presser 1 pour les produits Kohler et 3 pour littérature.

Purger le système de baignoire d'hydromassage

Purger le système d'hydromassage deux fois par mois ou plus, selon la fréquence d'utilisation. Suivre la séquence suivante:

- Tourner les bagues de garniture du jet complètement vers la droite pour supprimer l'injection de l'air.
- Remplir la baignoire à hydromassage avec de l'eau chaude au-dessus du niveau des capteurs de jet dorsal, ou laisser l'eau dans la baignoire à hydromassage après usage.
- Ajouter à l'eau 2 cuillères à soupe (30 ml) d'un détergent pour lave-vaisselle peu moussant et 20 onces (590 ml) d'eau de javel (5% - 6% d'hypochlorite de sodium).
- Faire fonctionner la baignoire à hydromassage pendant 5 à 10 minutes. Arrêter la baignoire à hydromassage et purger.
- Si désiré, rincer les surfaces de la baignoire avec de l'eau.
- Rincer les surfaces des jets, le robinet, les barres d'appuis, le drain, etc. et sécher avec un chiffon doux.

Garantie limitée d'un an

Les produits de plomberie KOHLER sont garantis contre tout défaut matériel et de fabrication pour un an, à partir de la date de l'installation.

Kohler Co. jugera à sa discrétion, de la réparation, du remplacement ou du réglage approprié et ceci après toute inspection faite par Kohler Co. de tous défauts dus à une utilisation normale et ceci pendant un (1) an à partir de la date d'installation. Kohler Co. n'est pas responsable des coûts de démontage ou d'installation. L'utilisation de nettoyeurs à l'intérieur du réservoir annulera la garantie.

Pour obtenir un service-garantie, contacter Kohler Co. par l'intermédiaire de votre vendeur, plombier, centre de rénovation, revendeur par internet ou par écrit à Kohler Co. à l'attention de: Département du service clientèle, 444 Highland Drive, Kohler, Wisconsin 53044, USA, ou en composant le 1-800-4-KOHLER à partir des É.U., le 1-800-964-5590 à partir du Canada et le 001-877-680-1310 depuis le Mexique.

Les garanties implicites, y compris celles de qualité marchande et d'aptitude à un emploi particulier, se limitent expressément à la durée de la présente garantie. Kohler Co. et/ou le vendeur déclinent toutes responsabilités contre tous dommages occasionnés, imprévisibles ou corrélatifs.

Certains états/provinces ne permettent pas la limitation sur la durée de la garantie, ou l'exclusion ou la limitation spéciale, de dommages occasionnés, ou corrélatifs à un accident, ainsi ces limitations ou exclusions pourraient ne pas s'appliquer dans votre cas. Cette garantie vous donne des droits légaux spécifiques. Vous pouvez également avoir d'autres droits qui varient d'un état/province à l'autre.

Ceci constitue la garantie écrite exclusive de Kohler Co.

Procédures de dépannage

Ce guide de dépannage est seulement destiné à une aide générale. Seul un technicien agréé Kohler ou un électricien qualifié devrait corriger tous les problèmes électriques. Pour une réparation sous garantie, contacter le vendeur ou distributeur.

Dépannage du système d'hydromassage

Symptômes	Causes probables	Action recommandée
1. Le clavier ne s'illumine pas quand le bouton est pressé ou quand la bague extérieure est tournée.	<p>A. Pas d'alimentation au contrôle.</p> <p>B. Les disjoncteurs GFCI ou RCD se déclenchent.</p> <p>C. Le harnais du câblage du clavier est desserré, débranché ou endommagé.</p> <p>D. Le clavier ne fonctionne pas.</p> <p>E. Le contrôle ne fonctionne pas.</p>	<p>A. Vérifier le câblage et connecter l'alimentation électrique. Si le problème persiste, contacter l'installateur/vendeur.</p> <p>B. Réinitialiser le GFCI ou le RCD.</p> <p>C. Vérifier que les connexions du câblage soient correctes. Remplacer le harnais du câblage si nécessaire. Contacter l'installateur/vendeur.</p> <p>D. Remplacer le clavier. Contacter l'installateur/vendeur.</p> <p>E. Remplacer le contrôle. Contacter l'installateur/vendeur.</p>
2. Le moteur démarre, mais tous les jets ne fonctionnent pas.	<p>A. Le jet est fermé.</p> <p>B. Le jet n'est pas installé correctement.</p> <p>C. Les jets sont bloqués.</p>	<p>A. Tourner la bague du jet vers la gauche pour ouvrir.</p> <p>B. Réinstaller le jet; s'assurer que le joint torique ne soit pas endommagé.</p> <p>C. Retirer le blocage.</p>
3. Le clavier est illuminé mais, ne répond pas aux boutons ou bague extérieure.	<p>A. Le programme de contrôle est verrouillé.</p> <p>B. Le harnais du câblage du clavier est desserré, débranché ou endommagé.</p>	<p>A. Réinitialiser le GFCI ou le RCD.</p> <p>B. Vérifier que les connexions du câblage soient correctes. Remplacer le harnais du câblage si nécessaire. Contacter l'installateur/vendeur.</p>

Procédures de dépannage (cont.)

Symptômes	Causes probables	Action recommandée
	<p>C. Le clavier ne fonctionne pas.</p> <p>D. Le contrôle ne fonctionne pas.</p>	<p>C. Remplacer le clavier. Contacter l'installateur/vendeur.</p> <p>D. Remplacer le contrôle. Contacter l'installateur/vendeur.</p>
4. La barre d'indication du clavier continue le balayage au démarrage.	<p>A. Le programme de contrôle est verrouillé.</p> <p>B. Le harnais du câblage du clavier est desserré, débranché ou endommagé.</p> <p>C. Le clavier ne fonctionne pas.</p> <p>D. Le contrôle ne fonctionne pas.</p>	<p>A. Réinitialiser le GFCI ou le RCD.</p> <p>B. Vérifier que les connexions du câblage soient correctes. Remplacer le harnais du câblage si nécessaire. Contacter l'installateur/vendeur.</p> <p>C. Remplacer le clavier. Contacter l'installateur/vendeur.</p> <p>D. Remplacer le contrôle. Contacter l'installateur/vendeur.</p>
5. Le clavier est illuminé, mais la pompe de démarrera pas.	<p>A. Le câble d'alimentation de la pompe est desserré, déconnecté ou endommagé.</p> <p>B. Le pompe ne fonctionne pas.</p> <p>C. Le contrôle ne fonctionne pas.</p>	<p>A. Vérifier que les connexions du câblage soient correctes. Si le problème persiste, contacter l'installateur/revendeur.</p> <p>B. Remplacer la pompe. Contacter l'installateur/vendeur.</p> <p>C. Remplacer le contrôle. Contacter l'installateur/vendeur.</p>
6. Le moteur fonctionne mais la pompe ne démarrera pas (cavitante).	<p>A. Le moteur/pompe est trop élevé.</p> <p>B. Petite fuite d'air à l'entrée de la pompe.</p> <p>C. Le moteur/pompe ne fonctionne pas.</p> <p>D. Le contrôle ne fonctionne pas.</p>	<p>A. Baisser la pompe/contrôle au niveau du plancher.</p> <p>B. Serrer soigneusement le(s) écrou(s) des tuyaux de l'admission de la pompe.</p> <p>C. Remplacer le moteur/la pompe. Contacter l'installateur/vendeur.</p> <p>D. Remplacer le contrôle. Contacter l'installateur/vendeur.</p>
7. Faible débit d'eau des deux orifices de remplissage (si inclus).	<p>A. Les conduites d'arrivée d'eau sont bouchées.</p> <p>B. La valve de transfert n'est pas complètement ouverte.</p>	<p>A. Retirer le blocage.</p> <p>B. Tourner la poignée de la valve.</p>
8. Peu ou faible débit d'eau de la Cascade.	<p>A. Le conduit d'aspiration ou le réseau sont bouchés.</p> <p>B. Le pompe ne fonctionne pas.</p> <p>C. Le contrôle ne fonctionne pas.</p>	<p>A. Retirer le blocage.</p> <p>B. Remplacer la pompe. Contacter l'installateur/vendeur.</p> <p>C. Remplacer le contrôle. Contacter l'installateur/vendeur.</p>
9. Les jets de style Riverjets fonctionnent, mais les jets Eau vive/Rapides ne fonctionnent pas tels que décrits.	<p>A. Il n'y a pas suffisamment d'eau dans le bassin de la baignoire à hydromassage.</p> <p>B. Le clavier ne fonctionne pas.</p> <p>C. La valve papillon ne fonctionne pas.</p> <p>D. Le contrôle ne fonctionne pas.</p>	<p>A. Remplir la baignoire à hydromassage jusqu'à recouvrir les capteurs de niveau d'eau.</p> <p>B. Remplacer le clavier. Contacter l'installateur/vendeur.</p> <p>C. Vérifier le câblage. Remplacer la valve papillon. Contacter l'installateur/vendeur.</p> <p>D. Remplacer le contrôle. Contacter l'installateur/vendeur.</p>

Procédures de dépannage (cont.)

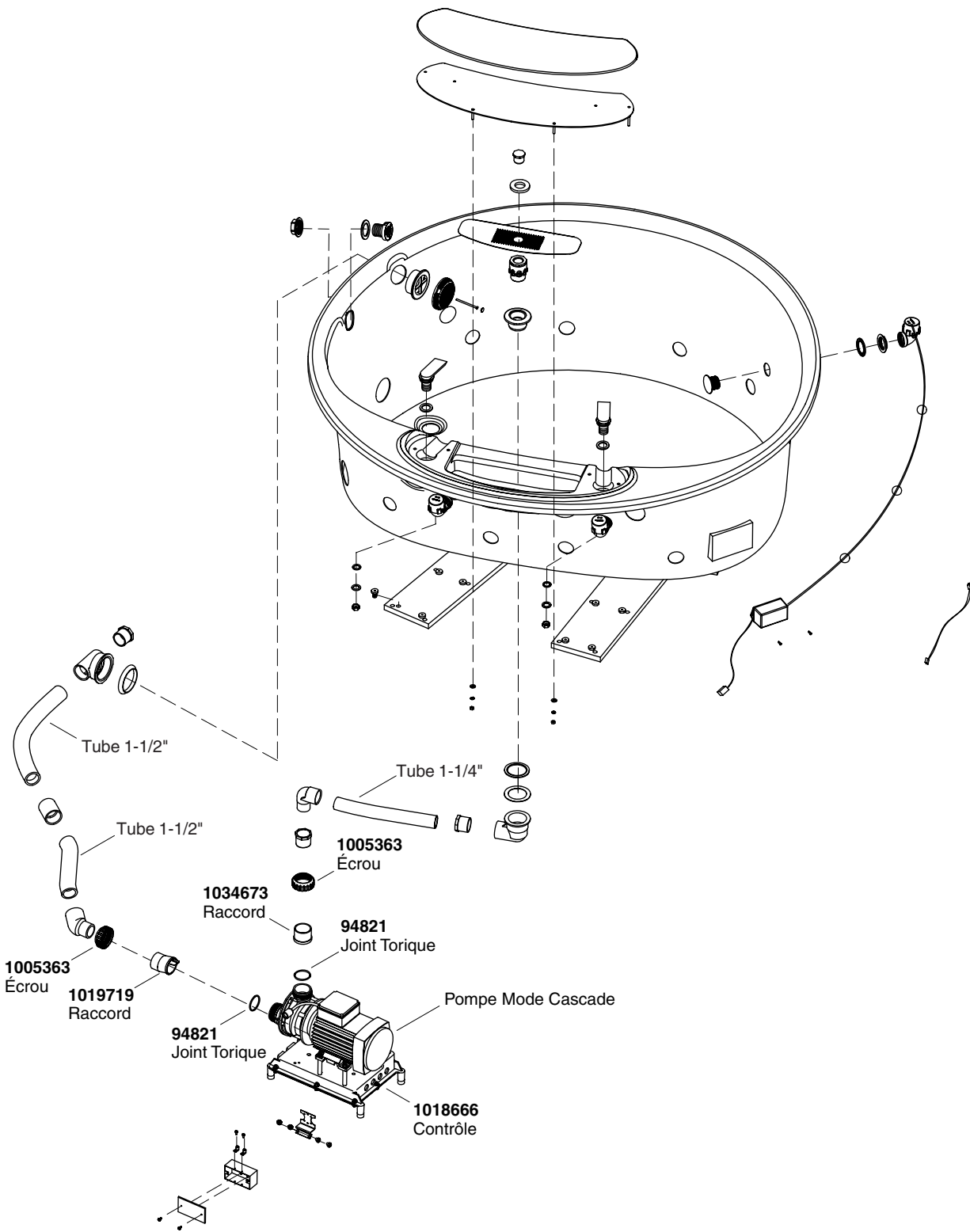
Symptômes	Causes probables	Action recommandée
10. Les flèches haut/bas de contrôle de volume ne changent pas le débit d'eau, comme décrit.	<p>A. Le clavier ne fonctionne pas.</p> <p>B. Le pompe ne fonctionne pas.</p> <p>C. Le contrôle ne fonctionne pas.</p>	<p>A. Vérifier le câblage. Remplacer le clavier. Contacter l'installateur/vendeur.</p> <p>B. Remplacer la pompe. Contacter l'installateur/vendeur.</p> <p>C. Remplacer le contrôle. Contacter l'installateur/vendeur.</p>
11. Le débit d'air à travers les jets ne s'arrête pas lorsque le mode Vague est activé.	<p>A. Le clavier ne fonctionne pas.</p> <p>B. La valve papillon ne fonctionne pas.</p> <p>C. Le contrôle ne fonctionne pas.</p>	<p>A. Vérifier le câblage. Remplacer le clavier. Contacter l'installateur/vendeur.</p> <p>B. Vérifier le câblage. Remplacer la valve papillon. Contacter l'installateur/vendeur.</p> <p>C. Remplacer le contrôle. Contacter l'installateur/vendeur.</p>
12. L'air continue de circuler par un ou plusieurs jets pendant plusieurs secondes après avoir appuyé sur le bouton de commande Tidepool (mode Vague).	<p>A. Fonctionnement normal - la circulation d'air cessera en quelques instants.</p>	<p>A. Aucune action requise.</p>
13. La pompe s'arrête automatiquement avant 18 minutes.	<p>A. Les disjoncteurs GFCI ou RCD se déclenchent.</p> <p>B. L'aspiration est bloquée.</p> <p>C. Les jets sont bloqués.</p> <p>D. Moteur surchauffé et système de protection activé.</p>	<p>A. Identifier la source du problème puis y remédier. Réinitialiser le GFCI ou le RCD.</p> <p>B. Retirer l'obstruction.</p> <p>C. Retirer le blocage.</p> <p>D. Vérifier s'il y a un blocage à l'aspiration et/ou aux jets. Retirer l'obstruction et laisser le moteur refroidir.</p>
14. La pompe ne s'arrête pas automatiquement après 22 minutes.	<p>A. La minuterie de 20 minutes s'arrête par inadvertance.</p>	<p>A. Consulter le manuel de service.</p>
15. La pompe ne s'arrêtera pas quand le bouton de marche du clavier est pressé.	<p>A. Le clavier ne fonctionne pas.</p> <p>B. Le contrôle ne fonctionne pas.</p>	<p>A. Remplacer le clavier. Contacter l'installateur/vendeur.</p> <p>B. Remplacer le contrôle. Contacter l'installateur/vendeur.</p>
16. La pompe fonctionne, mais la fonction de vitesse variable ne fonctionne pas.	<p>A. Le moteur/pompe ne fonctionne pas.</p> <p>B. Le contrôle ne fonctionne pas.</p>	<p>A. Remplacer le moteur/la pompe. Contacter l'installateur/vendeur.</p> <p>B. Remplacer le contrôle. Contacter l'installateur/vendeur.</p>
17. L'eau de la baignoire se refroidit pendant l'opération de la pompe.	<p>A. La température de l'eau au dessus de 104° F (40° C).</p> <p>B. Le chauffe-eau est arrêté par le clavier.</p> <p>C. Le câblage du chauffe-eau au contrôle est desserré, débranché ou endommagé.</p> <p>D. Le chauffe-eau ne fonctionne pas.</p>	<p>A. Laisser l'eau du bain refroidir.</p> <p>B. Mettre le chauffe-eau en marche.</p> <p>C. Vérifier que les connexions du câblage soient correctes. Contacter l'installateur/vendeur.</p> <p>D. Remplacer le chauffe-eau. Contacter l'installateur/vendeur.</p>

Procédures de dépannage (cont.)

Symptômes	Causes probables	Action recommandée
	E. Le contrôle ne fonctionne pas.	E. Remplacer le contrôle. Contacter l'installateur/vendeur.
18. Fonctionnement bruyant.	A. Les sangles de retenue de la pompe n'ont pas été coupées. B. Joint torique sec ou délogé (crissement).	A. Couper les sangles de retenue avec des cisailles de ferblantier. B. Retirer le jet, remplacer et lubrifier le joint torique, et réinstaller le jet.
19. La télécommande (si équipé) ne fonctionne pas.	A. Les piles sont mal installées ou épuisées. B. L'antenne du câblage électrique est endommagée. C. La télécommande n'est pas correctement programmée. D. La télécommande ne fonctionne pas. E. Le contrôle ne fonctionne pas.	A. Remplacer les piles. B. Remplacer le harnais de câblage électrique. Contacter l'installateur/vendeur. C. Voir le guide du propriétaire ou le manuel de service. D. Remplacer la télécommande. E. Remplacer le contrôle. Contacter l'installateur/vendeur.

Dépanner les lumières de chromothérapie (Modèles H2 uniquement)

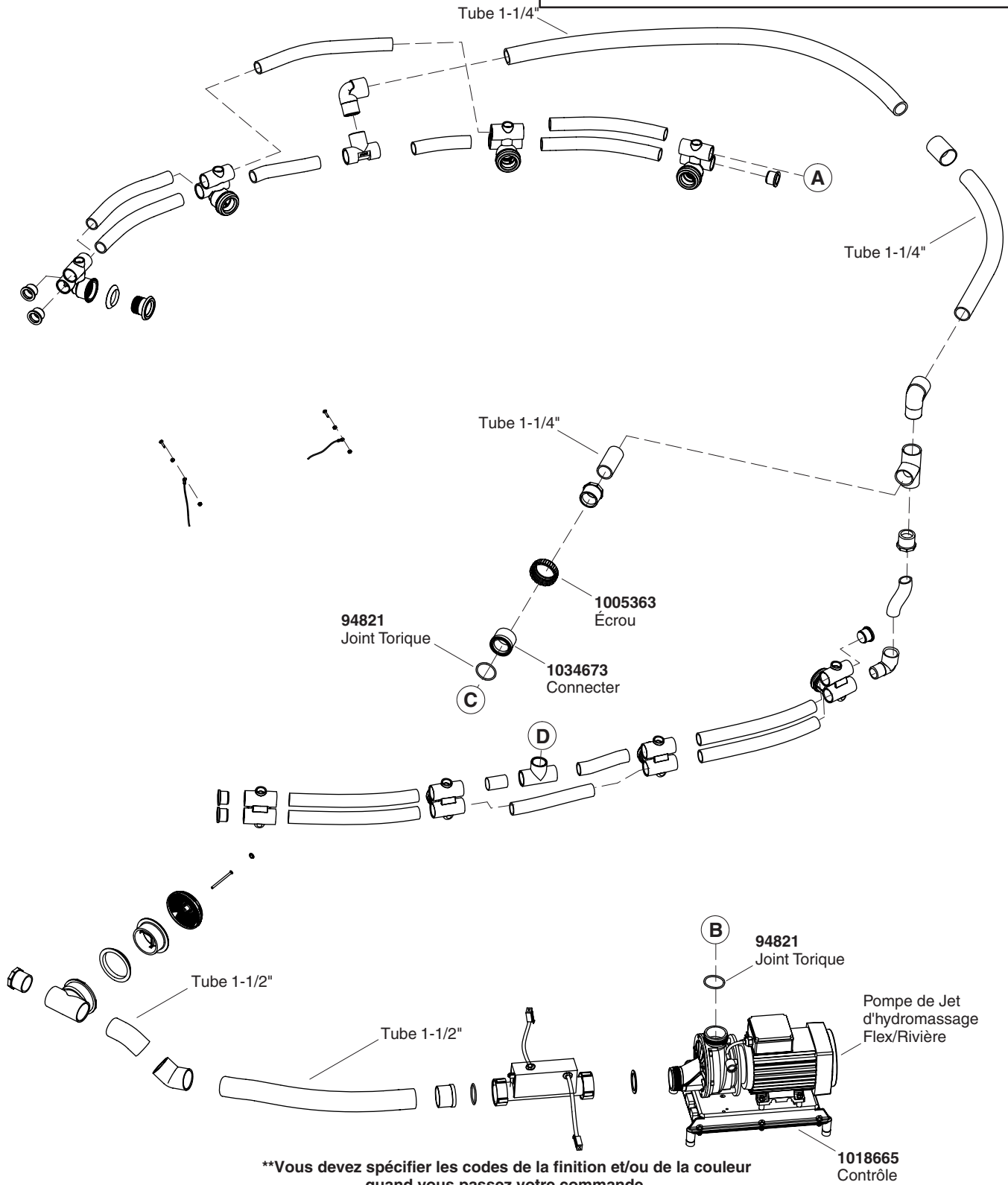
Symptômes	Causes probables	Action recommandée
20. Les lumières de chromothérapie ne fonctionnent pas.	A. Câblage/connexions desserré, déconnecté ou endommagé. B. Le contrôle ne fonctionne pas.	A. Vérifier que les connexions du câblage soient correctes. Remplacer le câblage si nécessaire. Contacter l'installateur/vendeur. B. Remplacer le contrôle. Contacter l'installateur/vendeur.



****Vous devez spécifier les codes de la finition et/ou de la couleur quand vous passez votre commande.**

Pièces de rechange

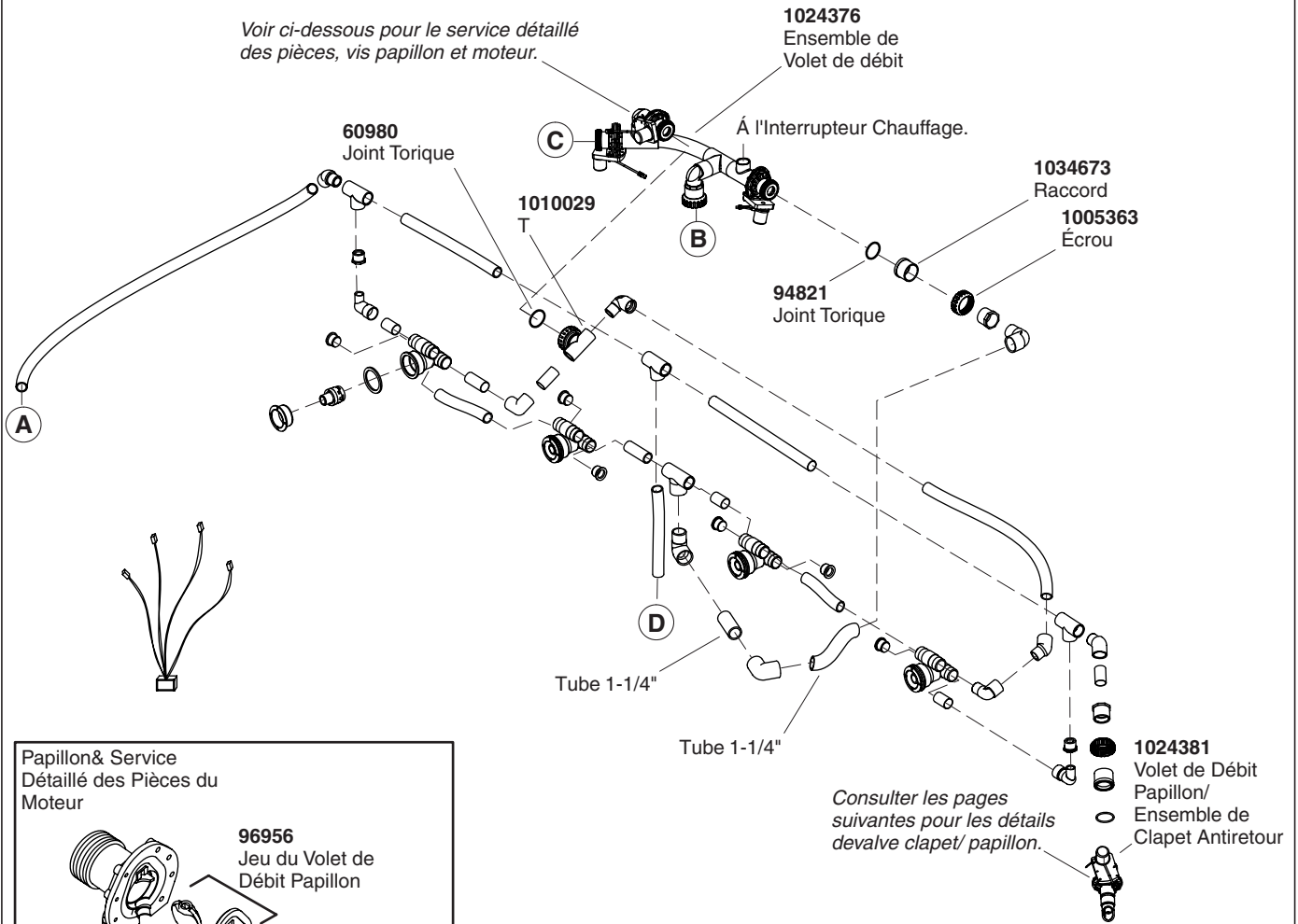
***Remarque :** Tous les tubes de 1" à moins qu'indiqué autrement.



****Vous devez spécifier les codes de la finition et/ou de la couleur quand vous passez votre commande.**

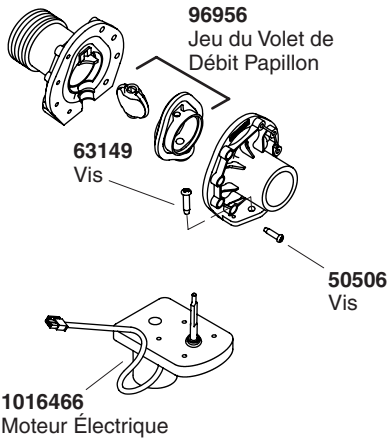
***Remarque :** Tous les tubes de 1" à moins qu'indiqué autrement.

Voir ci-dessous pour le service détaillé des pièces, vis papillon et moteur.

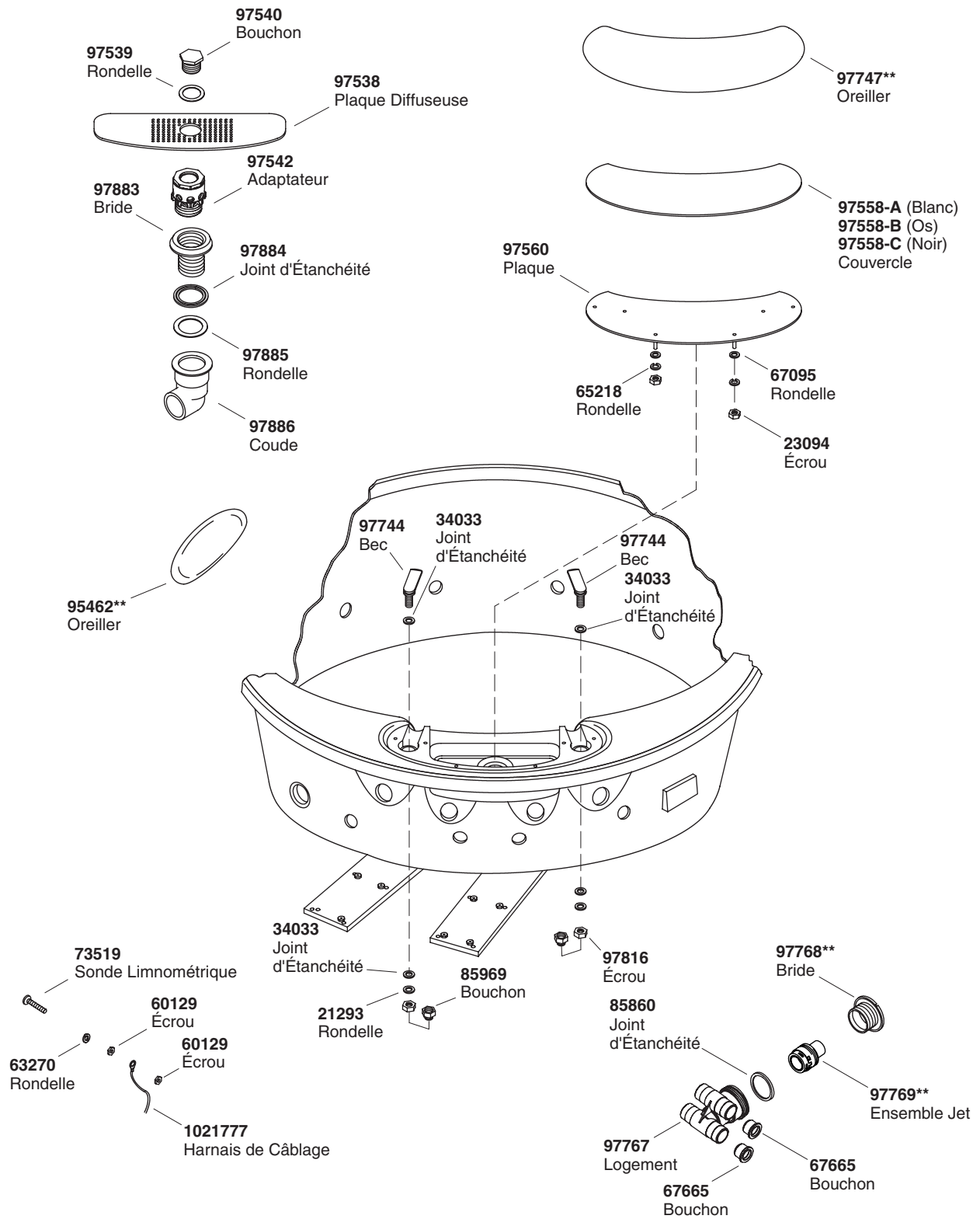


Consulter les pages suivantes pour les détails devalve clapet/ papillon.

Papillon & Service
Détailé des Pièces du Moteur

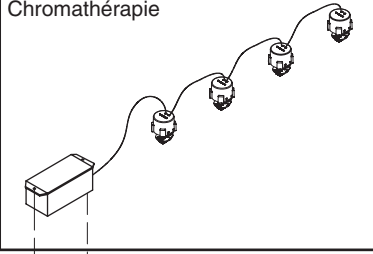


****Vous devez spécifier les codes de la finition et/ou de la couleur quand vous passez votre commande.**

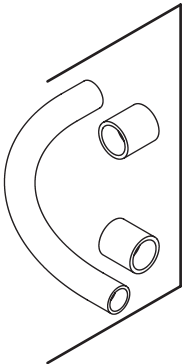


****Vous devez spécifier les codes de la finition et/ou de la couleur quand vous passez votre commande.**

1019933
Lumières de
Chromathérapie



93192
Vis



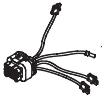
93836 (1/2")
93838 (1")
93839 (1-1/4")
94853 (1-1/2")
Tuyau (avec Raccords)

1012821
Logement de
l'Éclairage

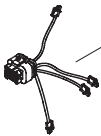


1010618
Coude

1015012
Ensemble des
Connexions Électriques



1015023
Ensemble des
Connexions Électriques



1003065
Outil d'Extraction
de la Bride
d'Aspiration



73518
Bouchon



93685
Logement



96708
Bride



65886
Joint d'Étanchéité



65054**
Vis



96895** (Finitions Colorées)
65061** (Finitions Métalliques)
Couvercle



65226**
Capuchon de la Vis du
Couvercle d'Aspiration



91967
Valve Clapet
de Non-retour



94469
Outil d'Extraction
de la Bride



67665
Bouchon



67429
Bride



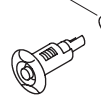
67889
Logement du Jet



65885
Joint d'Étanchéité



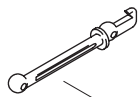
34353
Joint Torique



60394-P
Paquet de
Lubrifiant
Silicone

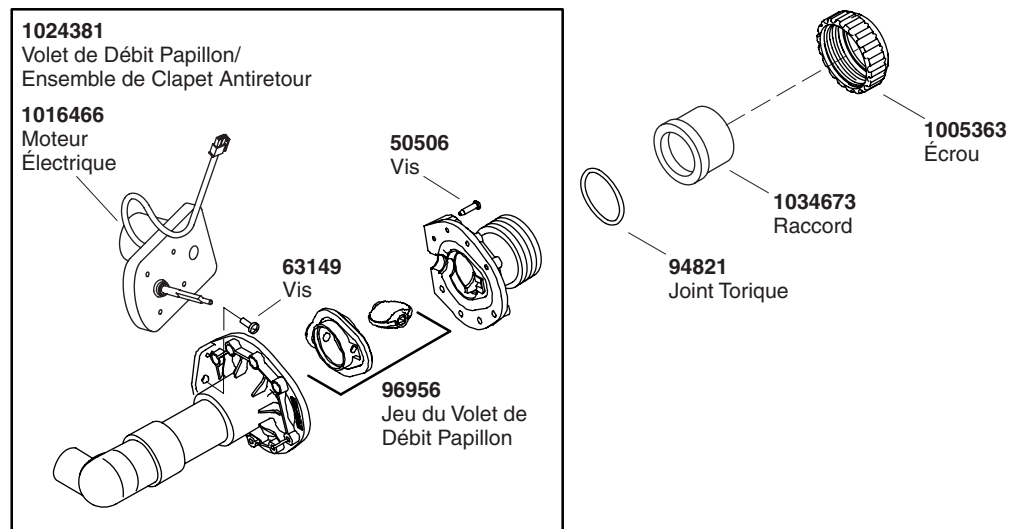
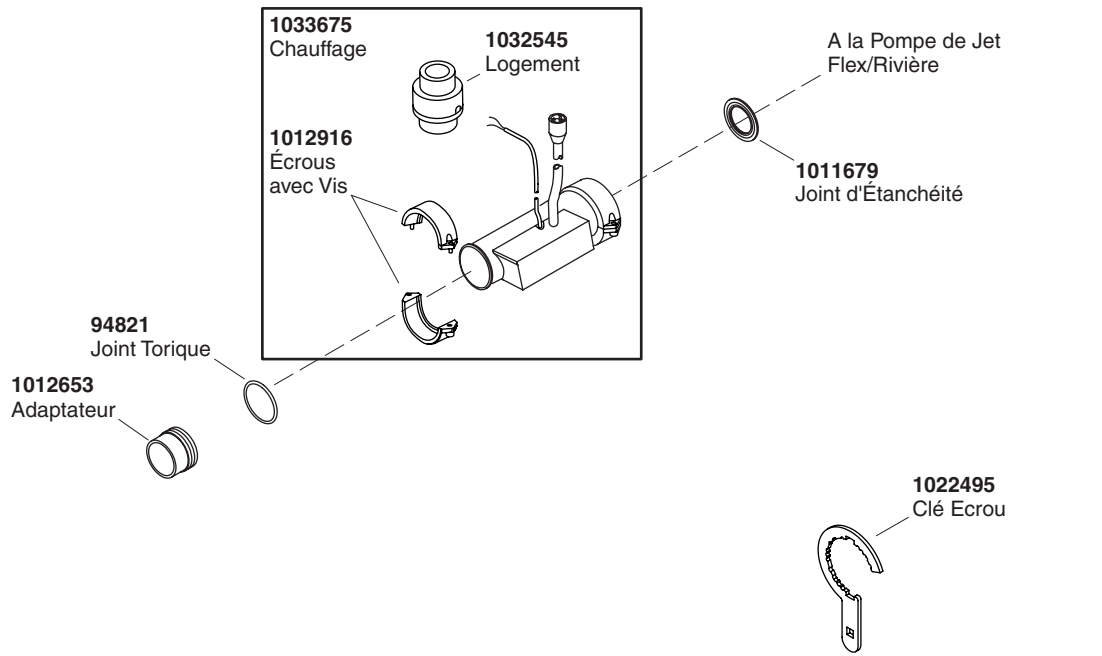


30739
Outil pour
le Jet



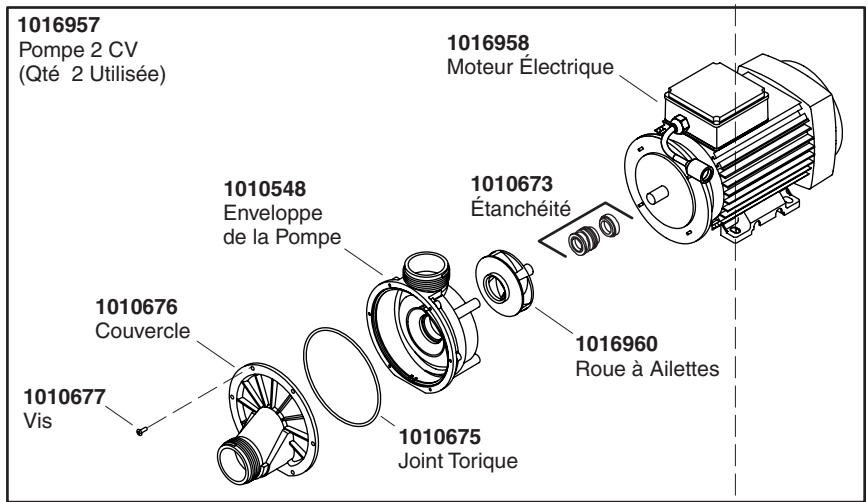
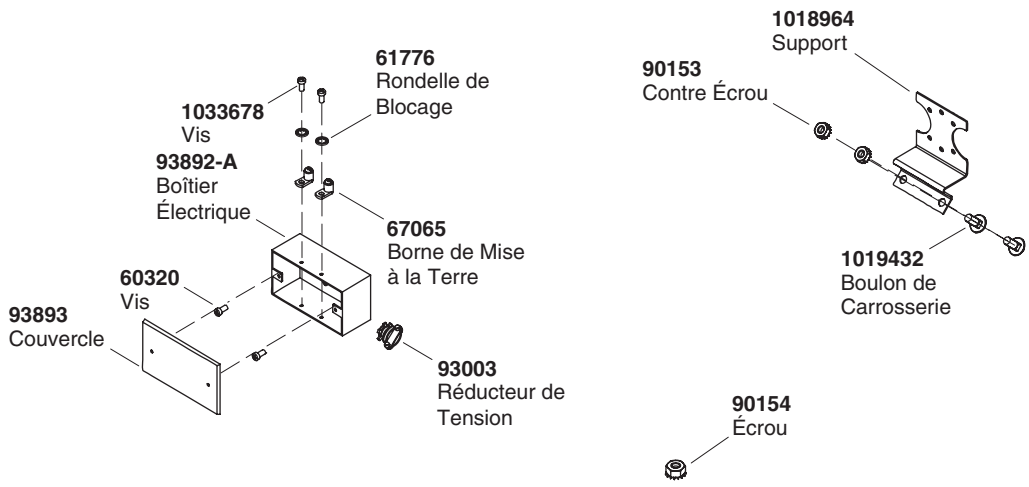
**Mono Jet pour Baignoire à Jets
d'Air avec 6 Jets ou Plus**
88530** (Finitions Colorées)
88529** (Finitions Métalliques)
Jet

****Vous devez spécifier les codes de la finition et/ou de la couleur
quand vous passez votre commande.**



****Vous devez spécifier les codes de la finition et/ou de la couleur quand vous passez votre commande.**

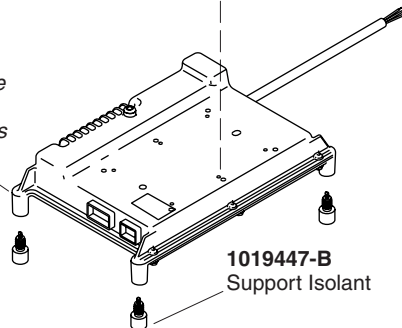
61845-K
Câble de Mise à la
Terre en Cuivre



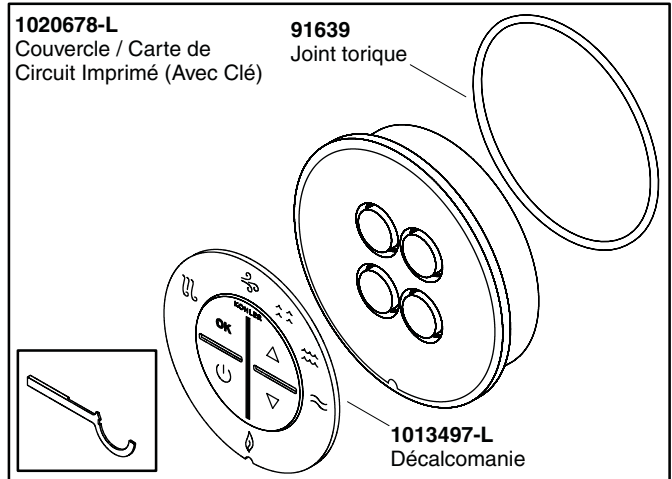
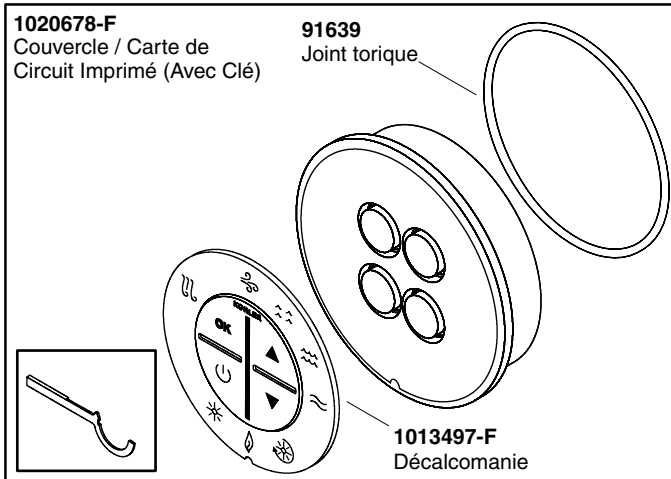
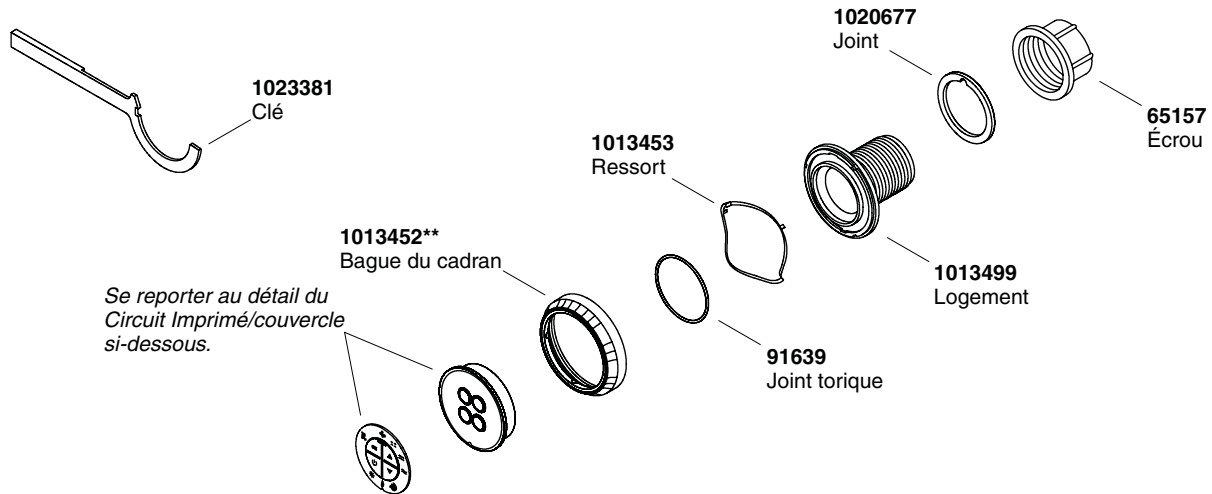
1019444-A [3/4" (2 cm)]
1019444-H [2-1/2" (6,4 cm)]
Espaceur

1019445-A [1-3/4" (4,4 cm)]
1019445-H [3-1/2" (8,9 cm)]
Montant

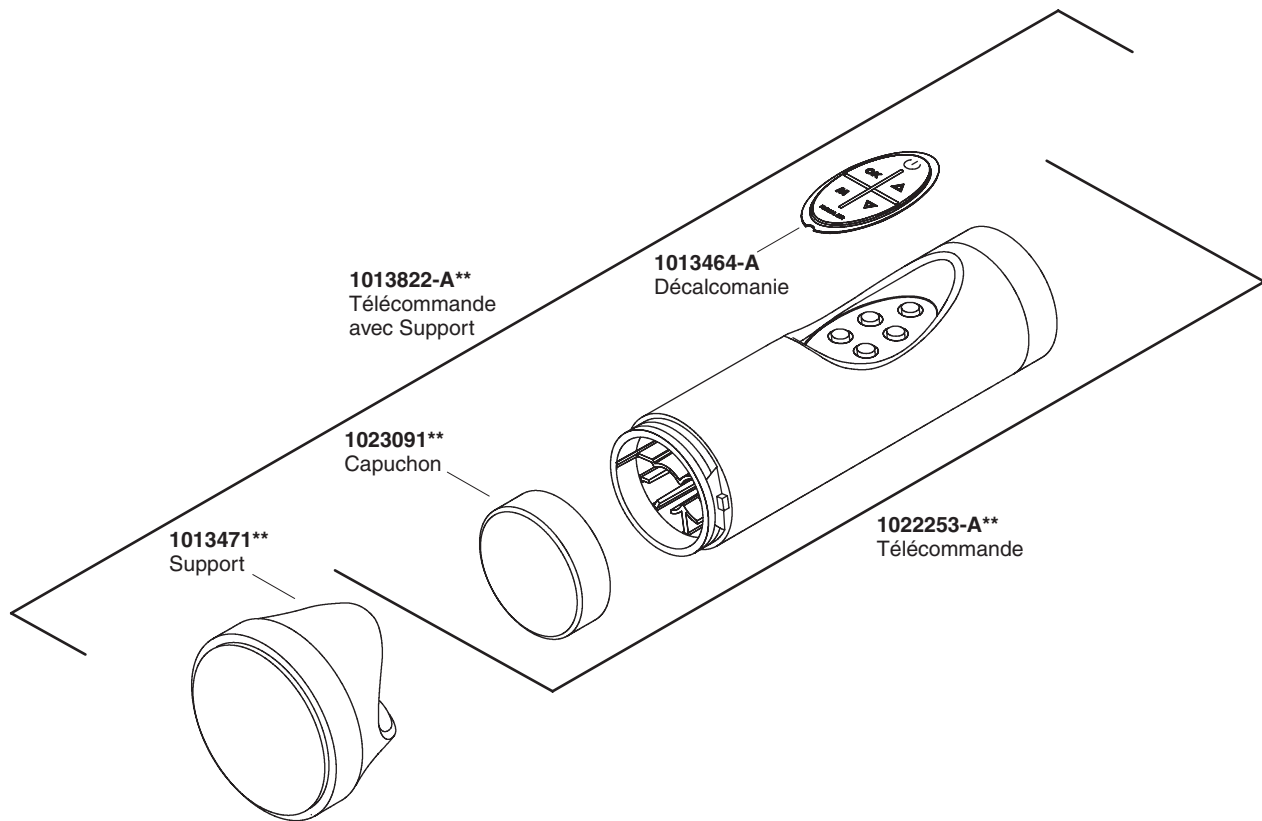
*Le contrôle varie en fonction de
l'usage de la pompe. Se
reporter aux détails de l'harnais
pour identification correcte.*



****Vous devez spécifier les codes de la finition et/ou de la couleur
quand vous passez votre commande.**



****Vous devez spécifier les codes de la finition et/ou de la couleur quand vous passez votre commande.**



****Vous devez spécifier les codes de la finition et/ou de la couleur quand vous passez votre commande.**

Guía del usuario

Bañera de hidromasaje

Instrucciones de funcionamiento

INSTRUCCIONES RELATIVAS AL RIESGO DE INCENDIO, DESCARGA ELÉCTRICA O LESIONES PERSONALES

LEA Y SIGA TODAS LAS INSTRUCCIONES

GUARDE ESTAS INSTRUCCIONES



ADVERTENCIA: Al usar aparatos eléctricos, siga siempre las precauciones básicas, incluyendo las siguientes:



PELIGRO: Riesgo de lesiones personales. Para reducir el riesgo de lesiones, no permita que los niños usen este producto sin la estricta supervisión en todo momento.



ADVERTENCIA: Riesgo de lesiones personales. Para evitar lesiones, tenga cuidado al entrar y salir de la bañera de hidromasaje.



ADVERTENCIA: Riesgo de descarga eléctrica. No coloque aparatos eléctricos (como secador de pelo, lámparas, teléfono, radio o televisión) a menos de 5' (1,5 m) de esta bañera de hidromasaje.



ADVERTENCIA: Riesgo de hipertermia. Las personas bajo tratamiento médico o que padezcan de alguna condición médica deben consultar con un médico antes de utilizar una bañera de hidromasaje equipada con un calentador.

Use esta bañera de hidromasaje únicamente con el fin para el que se ha fabricado, tal como se explica en este manual. No utilice accesorios que no estén recomendados por el fabricante.

No deje caer ni introduzca objetos en ninguna de las aberturas.

No permita que esta unidad funcione sin la tapa protectora (tapadera) en la conexión de succión.

La bañera de hidromasaje debe conectarse solamente a un circuito protegido con un interruptor de circuito con pérdida a tierra (GFCI) o por un dispositivo de corriente residual (RCD). El instalador debe proveer el interruptor de protección GFCI o RCD, cuyo funcionamiento debe probarse de manera rutinaria. Para probar el interruptor de protección GFCI o RCD, oprima el botón de prueba (test). El interruptor de protección GFCI o RCD debe interrumpir la alimentación eléctrica. Oprima el botón (reset) de restablecer la alimentación eléctrica. Esto debe restablecer la alimentación eléctrica. Si el interruptor de protección GFCI o RCD no funciona de este modo, significa que está averiado. Si el interruptor de protección GFCI o RCD, interrumpe la alimentación eléctrica a la bañera sin haber oprimido el botón de prueba, significa que existe corriente a tierra y la posibilidad de una descarga eléctrica. No utilice esta bañera de hidromasaje. Desconecte la bañera de hidromasaje, y antes de usarla, haga que un representante de servicio autorizado solucione el problema.



ADVERTENCIA: El uso de alcohol, drogas o medicamentos puede aumentar enormemente el riesgo de sufrir hipertermia fatal. La inmersión prolongada en agua caliente puede producir hipertermia. La hipertermia ocurre cuando la temperatura interna del cuerpo alcanza un nivel superior a la temperatura corporal normal de 98,6°F (37°C). Los síntomas de la hipertermia incluyen el aumento de la temperatura corporal interna, mareos, letargo, somnolencia y desfallecimiento. Los efectos de la hipertermia incluyen: (a) incapacidad para percibir calor, (b) incapacidad para reconocer la necesidad de salir de la bañera, (c) inconsciencia de un peligro inminente, (d) daño al

Instrucciones de funcionamiento (cont.)

feto en mujeres embarazadas, (e) inhabilidad física para salir de la bañera y (f) pérdida del conocimiento con peligro de ahogarse.

¡IMPORTANTE! Limpie el sistema de hidromasaje dos o más veces al mes, dependiendo del uso, tal como se describe en la sección "Limpieza del sistema de hidromasaje".

La temperatura del agua en la bañera no debe exceder los 104°F (40°C).

Mantenga los objetos pequeños tales como los juguetes y accesorios de baño fuera de la bañera de hidromasaje cuando esté en funcionamiento.

El uso constante de productos de higiene personal que contengan aceites puede dañar los componentes plásticos de la bañera de hidromasaje. No utilice champú a base de productos vegetales ni aceites de baño.

La acción del hidromasaje puede hacer que una pequeña cantidad de líquidos para hacer burbujas, champú, jabón o aceite de baño espume en exceso. Por esta razón, no utilice estos productos durante el funcionamiento de la bañera de hidromasaje.

Contenido

Instrucciones de funcionamiento	1
Gracias por elegir los productos de Kohler	2
Su bañera de hidromasaje de Kohler	2
Funciones y modos del hidromasaje	4
Funcionamiento del teclado	5
Llene la bañera de hidromasaje	5
Funcionamiento de su bañera de hidromasaje	6
Funcionamiento de la cromoterapia (Sólo Modelos H2)	7
Modos "en espera" del teclado	7
Control remoto	8
Programación del control remoto	8
Cumple las normas del FCC	9
Cuidado y limpieza	9
Limpieza del sistema de su bañera de hidromasaje	9
Garantía limitada de un año	9
Garantía de un año	10
Procedimientos para resolver problemas	11
Piezas de repuesto	15

Gracias por elegir los productos de Kohler

Gracias por elegir los productos de Kohler. Su producto de Kohler Company refleja la verdadera pasión por el diseño, la mano de obra, la artesanía y la innovación que forman parte de Kohler Company. Estamos seguros que su confiabilidad y belleza excederán sus más altas expectativas, dándole satisfacción por años.

Toda la información que aparece en la guía está basada en la información más reciente disponible al momento de publicación. En Kohler Company, nos esforzamos por alcanzar nuestra misión de mejorar el nivel del buen vivir de quienes disfrutan de nuestros productos y servicios. Nos reservamos el derecho de efectuar cambios en las características, embalaje o disponibilidad del producto en cualquier momento, sin previo aviso.

Dedique unos minutos para leer esta guía. Preste especial atención a las instrucciones de cuidado y limpieza.

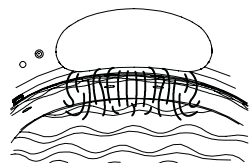
Su bañera de hidromasaje de Kohler

Su nueva bañera de hidromasaje está diseñada para estimular, vigorizar y dar energía a su cuerpo con una terapia de hidromasaje reconfortante. La bañera de hidromasaje consta de los siguientes componentes:

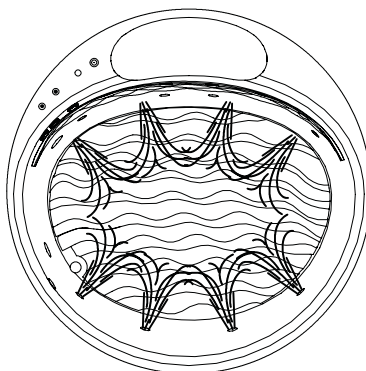
- **Bañera** - La bañera actúa como un depósito de agua y es el lugar de acción del hidromasaje.

Su bañera de hidromasaje de Kohler (cont.)

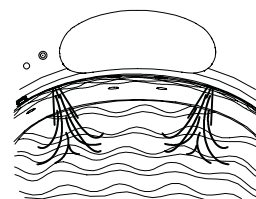
- **Teclado** - El teclado, de fácil alcance, le permite encender y apagar la bañera de hidromasaje. También le permite acceder a todos los modos de funcionamiento de la bañera de hidromasaje y regular el flujo de agua o velocidad de pulsación. Los símbolos iluminados en azul indican los modos/funciones disponibles. Los modos activos se iluminarán en verde.
- **Motores bomba** - Los motores bomba ofrecen potencia de velocidad variable y silenciosa para hacer circular el agua y crear la acción calmante del hidromasaje. La bañera de hidromasaje emplea dos motores bomba. Un motor bomba alimenta la cascada y la otra bomba impulsa el agua a través de los jets Flexjet y Riverjets.
- **Jets Flexjet** - Colocados de manera que optimizan el efecto del hidromasaje, los jets le permiten ajustar el flujo de aire y agua, así como controlar la dirección del flujo como usted lo desee.
- **Cascada y jets Riverjet** - Le permiten aumentar aún más el placer del baño con la opción de seleccionar varios modos/funciones.
- **Calentador** - El calentador está diseñado para ayudar a mantener automáticamente la temperatura del agua en hasta 104°F (40°C) a fin de aumentar el placer de la experiencia del hidromasaje. El calentador se enciende automáticamente cuando la bomba de los jets Flexjet/Riverjet esté en marcha y se apaga cuando el motor bomba se apaga. El calentador se puede apagar con el teclado en cualquier momento mientras las bombas estén funcionando.
- **Almohadas** - Las almohadas ofrecen un lugar cómodo para apoyar la cabeza mientras se relaja.
- **Control remoto** - El control remoto impermeable le permite controlar las funciones del hidromasaje desde dentro o fuera de la bañera.



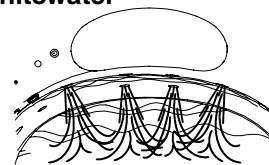
Modo de cascada



Modo de jets Flexjet



Jets Riverjet - Modo Whitewater

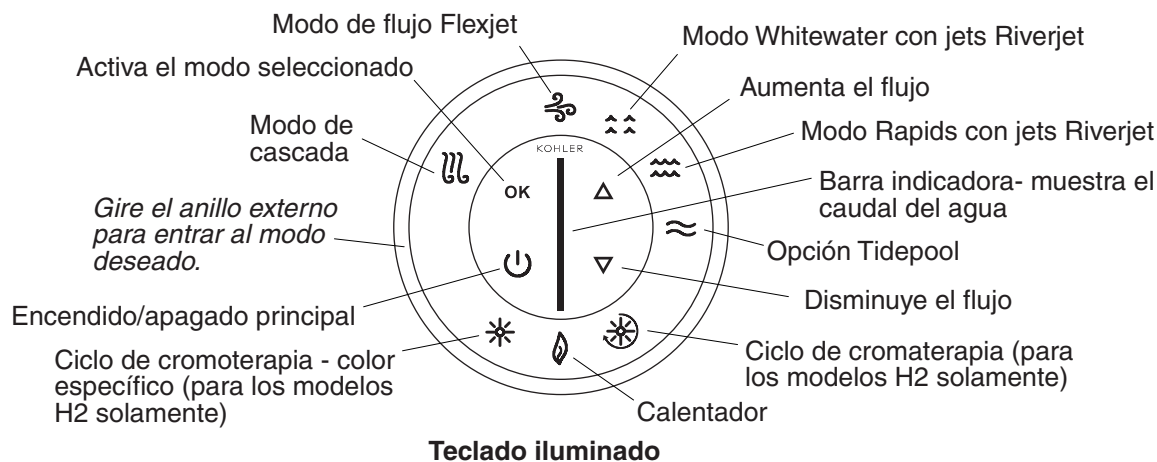


Jets Riverjet - Modo Rapids

Funciones y modos del hidromasaje

La bañera ofrece varias acciones de hidromasaje diferentes:

- **Cascada** - La cascada se puede utilizar sola o con los jets Flexjet o Riverjets en el modo Whitewater o en el modo Rapids.
- **Jets Flexjet** - Los ocho jets Flexjet, colocados más abajo que los Riverjet, proporcionan una acción de hidromasaje vigorizante.
- **Whitewater** - El modo Whitewater activa los dos jets Riverjet exteriores detrás de la nuca para proporcionar una acción de torbellino.
- **Rapids** - El modo Rapids activa los cuatro jets Riverjet situados detrás de la nuca para proporcionar una acción de torbellino.
- **Tidepool** - Este modo apaga el flujo de aire a los jets para proporcionar un efecto calmante y relajante. El modo Tidepool se puede utilizar en cualquier momento mientras los jets estén en funcionamiento. El modo Tidepool no afecta el funcionamiento de la cascada.
- **Ciclo de cromoterapia (Modelos H2 solamente)** - Las luces de cromoterapia cambian de color automática y continuamente en el ciclo de ocho colores: blanco, violeta, azul índigo, azul agua, verde, amarillo, naranja y rojo. Un ciclo de ocho colores tarda aproximadamente un minuto.
- **Selección del color específico de cromoterapia (para los modelos H2 solamente)** - Cuando este modo está seleccionado, se puede elegir un color específico para la bañera.



Funcionamiento del teclado

NOTA: Los símbolos iluminados en azul indican los modos/funciones disponibles. Los modos activos se iluminarán en verde.

- **Ciclo de cromoterapia (Modelos H2 solamente)** - Las luces de cromoterapia cambian de color automática y continuamente en el ciclo de ocho colores: blanco, violeta, azul índigo, azul agua, verde, amarillo, naranja y rojo. Un ciclo de ocho colores tarda aproximadamente un minuto.
- **Selección del color específico de cromoterapia (para los modelos H2 solamente)** - Cuando este modo está seleccionado, se puede elegir un color específico para la bañera.
- **Modo de cascada** - Puede utilizar la cascada sola o con una de las siguientes acciones: Jets Flexjet o Riverjet en los modos Whitewater o Rapids.
- **Whitewater** - El modo Whitewater activa los dos jets Riverjet exteriores detrás de la nuca para proporcionar una acción de torbellino.
- **Rapids** - El modo Rapids activa los cuatros jets Riverjet situados detrás de la nuca para proporcionar una acción de torbellino.
- **Tidepool** - Este modo apaga el flujo de aire a los jets para proporcionar un efecto calmante y relajante. El modo Tidepool se puede utilizar en cualquier momento mientras los jets estén en funcionamiento. El modo Tidepool no afecta el funcionamiento de la cascada.
- **Modo Flexjet** - Los ocho jets Flexjet, colocados más abajo que los Riverjet, proporcionan una acción de hidromasaje vigorizante.

Llene la bañera de hidromasaje

NOTA: Por favor, lea atentamente estos pasos antes de activar la bañera de hidromasaje.

NOTA: La temperatura del agua en la bañera de hidromasaje no debe exceder de 104°F (40°C). El calentador se apagará automáticamente conforme la temperatura del agua alcance los 104°F (40°C) y permanecerá apagado hasta que el agua se enfríe.

- Gire la guarnición del jet totalmente hacia la izquierda. Coloque las boquillas de los jets de manera que miren hacia abajo en la bañera.

NOTA: Si sólo desea utilizar la cascada (sin los jets Flexjet o Riverjet), llene la bañera a un nivel de unos 2" (5,1 cm) por encima de la parte superior de las tapas de succión.

NOTA: Si desea utilizar la cascada o los jets Flexjet (sin los jets Riverjet), sólo tiene que llenar la bañera a un nivel de unos 2" (5,1 cm) por encima del jet Flexjet que esté más alto.

- **Para que funcionen todas las funciones:** Llene la bañera de hidromasaje por encima de los sensores del nivel de agua a cada lado de los jets Riverjet.

Llene la bañera de hidromasaje (cont.)

NOTA: Los jets Riverjet sólo funcionarán si ambos sensores del nivel de agua están completamente cubiertos de agua. Si el nivel del agua cae por debajo de los sensores, los jets Riverjet se apagará automáticamente y los Flexjet se encenderán. Los jets Riverjet y Flexjet no funcionarán simultáneamente.

Funcionamiento de su bañera de hidromasaje

NOTA: El calentador integrado ayuda automáticamente a mantener la temperatura del agua mientras la bañera esté en marcha, siempre y cuando la temperatura no sobrepase los 104°F (40°C). El calentador se apagará automáticamente a temperaturas más altas.

- **Para encender la bañera de hidromasaje:** Presione el botón de encendido/apagado "On/Off" o gire el anillo externo para entrar al modo deseado, como se describe más abajo.
- **Para entrar al modo deseado:** Gire el anillo externo hasta que el icono destelle en azul. Oprima "OK" para activar el modo. El modo activado se encenderá de forma intermitente en verde. Para desactivar un modo, gire el anillo externo hasta que el indicador destelle en verde, y vuelva a presionar "OK". El icono cambiará a azul lo que indicará que el modo se ha apagado.
- **Cascada:** Cuando la cascada está activada, el agua comienza a fluir a capacidad media en pocos segundos. El modo de cascada no calienta el agua. En el teclado, oprima los botones de flecha hacia arriba o hacia abajo para aumentar o disminuir el flujo de agua. La barra indicadora en el centro del teclado muestra el caudal del flujo de agua. Puede utilizar la cascada sola o con una de las siguientes acciones: Jets Flexjet o Riverjet en los modos Whitewater o Rapids.
- **Jets Flexjet:** Cuando se activan los jets Flexjet, que se encuentran por debajo de los jets Riverjet, el agua empezará a fluir inmediatamente a una capacidad media. En el teclado, oprima los botones de flecha hacia arriba o hacia abajo para aumentar o disminuir el flujo de agua. La barra indicadora en el centro del teclado muestra el caudal del flujo de agua.
- **Modo Whitewater:** El modo Whitewater activa los dos jets Riverjet ubicados en la zona de la nuca haciendo que el agua fluya con un caudal medio. En el teclado, oprima los botones de flecha hacia arriba o hacia abajo para aumentar o disminuir el flujo de agua. La barra indicadora en el centro del teclado muestra el caudal del flujo de agua.
- **Modo Rapids:** El modo Rapids activa los cuatro jets Riverjet ubicados en la zona de la nuca haciendo que el agua fluya con un caudal medio. En el teclado, oprima los botones de flecha hacia arriba o hacia abajo para aumentar o disminuir el flujo de agua. La barra indicadora en el centro del teclado muestra el caudal del flujo de agua.
- **Modo Tidepool:** Este modo apaga el flujo de aire a los jets para proporcionar un efecto calmante y relajante. El modo Tidepool se puede utilizar en cualquier momento mientras los jets estén en funcionamiento. El modo Tidepool no afecta el funcionamiento de la cascada.

NOTA: Una vez que el modo Tidepool se ha activado, es posible que algo de aire fluya por uno o más jets durante un corto periodo de tiempo.

- **Calentador:** El calentador integrado ayuda automáticamente a mantener la temperatura del agua mientras cualquier jet esté funcionando, siempre y cuando la temperatura no sobrepase los 104°F (40°C). El calentador se puede apagar en cualquier momento mientras las bombas estén en marcha, para ello gire el anillo externo hasta que el botón del calentador se ilumine intermitentemente y presione "OK". Vuelva a oprimir "OK" para volver a encender el calentador.
- El sistema de jets de hidromasaje añade aire al flujo de agua (excepto en el modo Tidepool) para aumentar la fuerza del flujo de agua. Para disminuir la fuerza del flujo de agua del hidromasaje, gire los anillos de los jets del hidromasaje hacia la derecha, hasta obtener la intensidad deseada. Gire los anillos decorativos hacia la izquierda para aumentar la fuerza del flujo de agua.

NOTA: El temporizador integrado apaga automáticamente el motor y la bomba después de aproximadamente 20 minutos de funcionamiento.

- Oprima el botón On/Off para apagar la bañera de hidromasaje.

Funcionamiento de la cromoterapia (Sólo Modelos H2)

NOTA: La cromoterapia se puede utilizar con todos los modos de funcionamiento. La cromoterapia también se puede utilizar cuando las bombas no estén funcionando.

Ciclo de cromoterapia - Cuando este modo está activado, las luces de cromoterapia cambian de color automática y continuamente a través del ciclo de los ocho colores: blanco, violeta, azul índigo, azul agua, verde, amarillo, naranja y rojo. Un ciclo de ocho colores tarda aproximadamente un minuto.

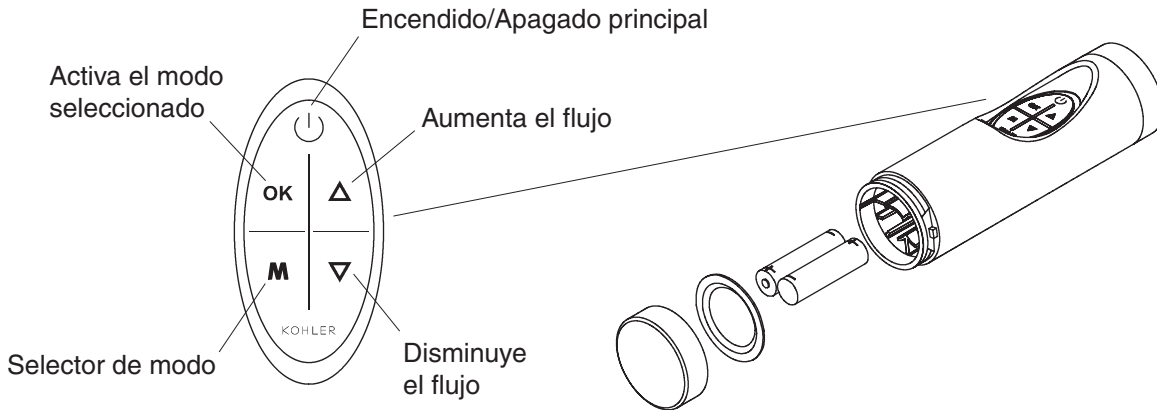
- Para seleccionar este modo, gire el anillo externo del teclado y presione "OK" para activarlo.
- Para apagar este modo, presione "OK" mientras el modo de cromoterapia esté activo.

Selección de un color específico de cromoterapia - Cuando este modo está activo, se puede elegir un color específico para la bañera.

- Para seleccionar este modo, gire el anillo externo del teclado y presione "OK" para activarlo.
- Utilice las flechas hacia arriba o hacia abajo para seleccionar el color deseado y presione "OK" para activar el color deseado.

Modos "en espera" del teclado

- A fin de aumentar el placer del baño, el teclado está programado para que se atenúe tras 15 segundos de inactividad. Solamente la última opción seleccionada permanecerá iluminada. Para continuar con el funcionamiento normal, oprima cualquier tecla o gire el anillo externo.
- Unos 60 segundos después de que todo el equipo se haya apagado, el teclado se oscurecerá por completo para conservar energía. Oprima el botón de encendido o gire el anillo externo para reactivar el teclado.



Control remoto

El control remoto pone al alcance de su mano todas las funciones de la bañera para realzar aún más la experiencia del baño. Las funciones del control remoto son idénticas a las del teclado. Con él, puede encender y apagar tanto la bañera de hidromasaje como el calentador y acceder/modificar todas las funciones de hidromasaje.

El botón de selección del modo funciona de la misma manera que el anillo externo del teclado. Cuando se presiona la "M", uno de los modos parpadeará en el teclado. Si vuelve a presionar la "M", parpadeará el siguiente modo a la derecha. Una vez que el modo deseado esté parpadearando, presione "OK" para activarlo.

Las flechas harán que el caudal del flujo de agua aumente o disminuya cuando los modos de cascada, Flexjet, Whitewater o Rapids están activos.

El control remoto impermeable está diseñado para usarse en la bañera y flota en el agua.

El control remoto funciona con dos pilas tamaño AAA. Para cambiarlas, simplemente desatornille la tapa terminal e inserte las pilas, como se ilustra arriba. Apriete la tapa terminal firmemente, y asegúrese de que esté en contacto con el sello.

Programación del control remoto

¡IMPORTANTE! Es necesario programar el control remoto. La bañera de hidromasaje no responderá a ningún control remoto hasta que el control se programe. Será necesario programar el control remoto si lo reemplaza o si cambia el control de la bomba.

- Encienda la bañera de hidromasaje.
- Apague todos los modos de funcionamiento. Espere aproximadamente un minuto hasta que el teclado se oscurezca por completo (modo en espera).
- En el teclado, oprima simultáneamente la flecha hacia arriba, la flecha hacia abajo y el botón "OK". El diodo emisor o LED inferior de la barra indicadora del teclado comenzará a iluminarse intermitentemente.
- Mientras el diodo emisor esté intermitente, oprima el botón "OK" del teclado. Una secuencia de luces se iluminará de arriba a abajo en la barra indicadora.
- Oprima cualquier botón del control remoto mientras la secuencia de luces de la barra indicadora esté activa. El teclado dejará de iluminarse en secuencia, ejecutará una descarga y luego se oscurecerá. Este teclado sólo responderá a este control remoto.

NOTA: Si usted no oprime ninguno de los botones del control remoto dentro de un lapso de dos minutos, la bañera de hidromasaje no responderá a ningún control remoto.

Cumple las normas del FCC

ID del FCC: N82-KOHLER001

Identificación de Canadá: 4554A-KOHLER001

Declaración de conformidad (Sección 15.19)

Este aparato cumple con la sección 15 de las Normas del FCC y con la RSS-210 de la Industria del Canadá. El funcionamiento está sujeto a las dos condiciones siguientes:

1. Este aparato no debe causar interferencias perjudiciales, y
2. Este equipo debe aceptar cualquier interferencia recibida, incluyendo las interferencias que causen un funcionamiento no deseado.

Advertencia (Sección 15.21)

Cualquier modificación o cambio que no haya sido aprobado expresamente por la parte responsable de la conformidad puede anular el derecho del usuario de utilizar el producto.

Cuidado y limpieza

Para obtener los mejores resultados, tenga presente lo siguiente al limpiar su producto KOHLER:

- Para la limpieza, utilice solamente un detergente suave como el jabón líquido para lavar platos y agua tibia. No utilice limpiadores abrasivos que puedan rayar u opacar la superficie.
- Lea atentamente la etiqueta del producto de limpieza para asegurar que no presente riesgos al usarse en el material.
- Siempre pruebe la solución de limpieza en un área oculta antes de aplicarla a toda la superficie.
- No deje por tiempo prolongado los limpiadores en la superficie.
- Limpie con un trapo y enjuague completa e inmediatamente con agua después de aplicar limpiadores. Enjuague y seque las superficies cercanas que se hayan rociado.
- Utilice una esponja o trapo suave y húmedo. Nunca utilice materiales abrasivos como cepillos o estropajos de tallar para limpiar las superficies.

Para obtener información detallada de limpieza y los limpiadores a considerar, visite www.kohler.com/clean. Para solicitar información sobre el cuidado y la limpieza, llame al 1-800-456-4537 y presione 1 para productos Kohler y luego 3 para documentos.

Limpieza del sistema de su bañera de hidromasaje

Limpie el sistema de hidromasaje dos o más veces al mes, dependiendo del uso. Utilice la secuencia que sigue:

- Gire los anillos decorativos de los jets totalmente hacia la derecha para eliminar la inducción de aire.
- Llene la bañera de hidromasaje con agua tibia hasta un nivel por encima de los sensores de nivel de los jets para la espalda o deje el agua en la bañera cuando termine de usarla.
- Añada al agua 2 cucharadas (30 ml) de detergente para lavaplatos que espume poco y 20 onzas (590 ml) de cloro (lejía) para uso doméstico (5% - 6% hipoclorito sódico).
- Haga funcionar la bañera de hidromasaje de 5 a 10 minutos. Luego, apague y vacíe la bañera.
- Si lo desea, enjuague las superficies de la bañera con agua.
- Enjuague las superficies de los jets, la grifería, las agarraderas, el desagüe, etc. y seque con un paño suave.

Garantía limitada de un año

Se garantiza que los productos de plomería KOHLER están libres de defectos de material y mano de obra por un año a partir de la fecha de instalación.

Kohler Co., a su criterio, reparará, reemplazará o realizará los ajustes pertinentes en los casos en que la inspección realizada por Kohler Co. determine que dichos defectos ocurrieron durante el uso normal en el

Garantía limitada de un año (cont.)

transcurso de un (1) año a partir de la fecha de la instalación. Kohler Co. no se hace responsable de los gastos de desinstalación o instalación. El uso de limpiadores de inodoro que se colocan dentro del tanque anulará la garantía.

Para obtener el servicio de garantía, comuníquese con Kohler Co. a través de su distribuidor, contratista de plomería o distribuidor a través de Internet, o escriba directamente a: Kohler Co., Attn.: Customer Service Department, 444 Highland Drive, Kohler, WI 53044, USA, o llame al 1-800-4-KOHLER desde los Estados Unidos, al 1-800-964-5590 desde Canadá, o al 001-877-680-1310 desde México.

Toda garantía implícita en relación a productos de uso comercial, incluyendo la comercialización e idoneidad del producto para un uso determinado, se limita expresamente a la duración de la presente garantía. Kohler Co. y/o el vendedor no se hacen responsables por concepto de daños particulares, incidentales o indirectos.

Algunos estados/provincias no permiten limitaciones en cuanto a la duración de una garantía implícita o a la exclusión o limitación de daños particulares, incidentales o indirectos, por lo que estas limitaciones y exclusiones pueden no aplicar a su caso. Esta garantía le otorga ciertos derechos legales específicos. Además, usted puede tener otros derechos que varían de estado a estado y provincia a provincia.

El presente documento constituye la garantía exclusiva por escrito de Kohler Co.

Garantía de un año

KOHLER CO.

Al adquirir el producto, se recomienda verificar que todos los accesorios y componentes estén completos en la caja.

Kohler Co. garantiza que el material y la mano de obra de este producto están libres de defectos, por un (1) año, a partir de la fecha de compra que aparece en la factura o recibo.

1. Kohler Co. prestará servicio únicamente a los productos comercializados a través de sus distribuidores autorizados.
2. A fin de obtener el servicio de garantía, favor de presentar la factura de compra y la garantía correspondiente.
3. Kohler Co., a través de sus distribuidores autorizados, se compromete a reparar el producto defectuoso o a reemplazarlo por uno nuevo o equivalente (en caso de que el producto esté descontinuado) cuando no sea posible la reparación, sin ningún cargo al consumidor.
4. El tiempo de reparación no excederá de seis (6) semanas, a partir de la fecha de recepción del producto.
5. Se recomienda al consumidor que conserve el recibo o factura de compra como protección adicional, pues el mismo puede sustituir a la garantía, en caso de que exista discrepancia en cuanto a la validez de la misma.

EXCEPCIONES Y RESTRICCIONES

La garantía no tendrá validez en los siguientes casos:

1. Cuando el producto no se haya utilizado conforme a las instrucciones de uso y funcionamiento incluidas en el manual del usuario o en las instrucciones de instalación y cuando no se hayan observado las recomendaciones y advertencias allí contenidas.
2. Cuando el producto se haya modificado o desmantelado parcial o totalmente; o manipulado de manera negligente y, como consecuencia, haya sufrido daños atribuibles al consumidor, persona o herrajes no autorizados por Kohler Co.
3. Esta garantía no cubre los daños que resulten de desastres naturales, tales como incendios o casos de fuerza mayor, incluyendo inundaciones, terremotos, tormentas eléctricas, etc. Para obtener una lista de distribuidores cerca de usted y así hacer valer sus derechos bajo esta garantía, llame al 001-877-680-1310.

KOHLER CO., KOHLER, WI 53044 U.S.A.

IMPORTADOR:

Garantía de un año (cont.)

INTERNACIONAL DE CERÁMICA, S.A.B. DE C.V.

AV. CARLOS PACHECO NO. 7200

CHIHUAHUA, CHIH., MÉXICO C.P. 31060

TEL: 52 (14) 29-11-11

Procedimientos para resolver problemas

Esta guía para resolver problemas está diseñada únicamente como ayuda general. Todos los problemas eléctricos deben ser resueltos por un representante de servicio autorizado de Kohler o un electricista calificado. Para obtener servicio cubierto por la garantía, póngase en contacto con el vendedor o el distribuidor mayorista.

Guía para resolver problemas del sistema de la bañera de hidromasaje

Síntomas	Causas probables	Acción recomendada
1. El teclado no se ilumina cuando se oprime el botón de encendido o se hace girar el anillo externo.	<p>A. El control no tiene alimentación eléctrica.</p> <p>B. El interruptor GFCI o RCD se ha disparado.</p> <p>C. El arnés de cables del teclado al control está suelto, desconectado o dañado.</p> <p>D. El teclado no funciona.</p> <p>E. El control no funciona.</p>	<p>A. Verifique el cableado y conecte el suministro eléctrico. Si el problema persiste, comuníquese con el instalador/distribuidor.</p> <p>B. Oprima el botón de restablecer el interruptor GFCI o RCD.</p> <p>C. Revise que los cables estén correctamente conectados. Reemplace el arnés de cables de ser necesario. Consulte al vendedor/instalador.</p> <p>D. Reemplace el teclado. Consulte al vendedor/instalador.</p> <p>E. Reemplace el control. Consulte al vendedor/instalador.</p>
2. El motor se enciende, pero no todos los jets funcionan.	<p>A. El jet está cerrado.</p> <p>B. El jet no está instalado correctamente.</p> <p>C. Los jets están obstruidos.</p>	<p>A. Gire la guarnición del jet hacia la izquierda para abrirlo.</p> <p>B. Vuelva a instalar el jet; revise que el arosello (O-ring) no esté dañado.</p> <p>C. Elimine la obstrucción.</p>
3. El teclado está iluminado, pero no responde a los botones o anillo externo.	<p>A. El programa del control está bloqueado.</p> <p>B. El arnés de cables del teclado al control está suelto, desconectado o dañado.</p> <p>C. El teclado no funciona.</p> <p>D. El control no funciona.</p>	<p>A. Oprima el botón de restablecer el interruptor GFCI o RCD.</p> <p>B. Revise que los cables estén correctamente conectados. Reemplace el arnés de cables de ser necesario. Consulte al vendedor/instalador.</p> <p>C. Reemplace el teclado. Consulte al vendedor/instalador.</p> <p>D. Reemplace el control. Consulte al vendedor/instalador.</p>
4. Al encender la unidad, la barra indicadora del teclado continúa en modo de búsqueda.	<p>A. El programa del control está bloqueado.</p> <p>B. El arnés de cables del teclado al control está suelto, desconectado o dañado.</p>	<p>A. Oprima el botón de restablecer el interruptor GFCI o RCD.</p> <p>B. Revise que los cables estén correctamente conectados. Reemplace el arnés de cables de ser necesario. Consulte al vendedor/instalador.</p>

Procedimientos para resolver problemas (cont.)

Síntomas	Causas probables	Acción recomendada
	<p>C. El teclado no funciona.</p> <p>D. El control no funciona.</p>	<p>C. Reemplace el teclado. Consulte al vendedor/instalador.</p> <p>D. Reemplace el control. Consulte al vendedor/instalador.</p>
<p>5. El teclado está iluminado pero la bomba no se enciende.</p>	<p>A. El cable eléctrico de la bomba al control está suelto, desconectado o dañado.</p> <p>B. La bomba no funciona.</p> <p>C. El control no funciona.</p>	<p>A. Revise que los cables estén correctamente conectados. Si el problema persiste, comuníquese con el instalador/distribuidor.</p> <p>B. Reemplace la bomba. Consulte al vendedor/instalador.</p> <p>C. Reemplace el control. Consulte al vendedor/instalador.</p>
<p>6. El motor funciona pero la bomba no hace el cebado (se produce cavitación).</p>	<p>A. El motor/bomba se ha acuñado demasiado alto.</p> <p>B. Pequeña fuga de aire en la entrada de la bomba.</p> <p>C. El motor/bomba no funciona.</p> <p>D. El control no funciona.</p>	<p>A. Baje la bomba/control al nivel del subpiso.</p> <p>B. Apriete firmemente la(s) tuerca(s) del lado de admisión de la bomba.</p> <p>C. Reemplace el motor/bomba. Consulte al vendedor/instalador.</p> <p>D. Reemplace el control. Consulte al vendedor/instalador.</p>
<p>7. Flujo escaso o no hay flujo de los puertos duales de llenado (de estar incluidos).</p>	<p>A. Las tuberías de suministro de agua están obstruidas.</p> <p>B. La válvula de transferencia no está totalmente abierta.</p>	<p>A. Elimine la obstrucción.</p> <p>B. Gire la manija de la válvula de transferencia.</p>
<p>8. Flujo escaso o no hay flujo desde la cascada.</p>	<p>A. La succión o las tuberías están obstruidas.</p> <p>B. La bomba no funciona.</p> <p>C. El control no funciona.</p>	<p>A. Elimine la obstrucción.</p> <p>B. Reemplace la bomba. Consulte al vendedor/instalador.</p> <p>C. Reemplace el control. Consulte al vendedor/instalador.</p>
<p>9. Los jets Riverjet funcionan, pero los jets Whitewater/Rapids no funcionan como se describe.</p>	<p>A. Insuficiente agua en la bañera de hidromasaje.</p> <p>B. El teclado no funciona.</p> <p>C. La válvula de mariposa no funciona.</p> <p>D. El control no funciona.</p>	<p>A. Llene la bañera de hidromasaje hasta que el agua cubra los sensores de agua.</p> <p>B. Reemplace el teclado. Consulte al vendedor/instalador.</p> <p>C. Revise el cableado. Reemplace la válvula de mariposa. Consulte al vendedor/instalador.</p> <p>D. Reemplace el control. Consulte al vendedor/instalador.</p>
<p>10. Las flechas hacia arriba/abajo del control del caudal no cambian el flujo de agua como se describe.</p>	<p>A. El teclado no funciona.</p> <p>B. La bomba no funciona.</p> <p>C. El control no funciona.</p>	<p>A. Revise el cableado. Reemplace el teclado. Consulte al vendedor/instalador.</p> <p>B. Reemplace la bomba. Consulte al vendedor/instalador.</p> <p>C. Reemplace el control. Consulte al vendedor/instalador.</p>

Procedimientos para resolver problemas (cont.)

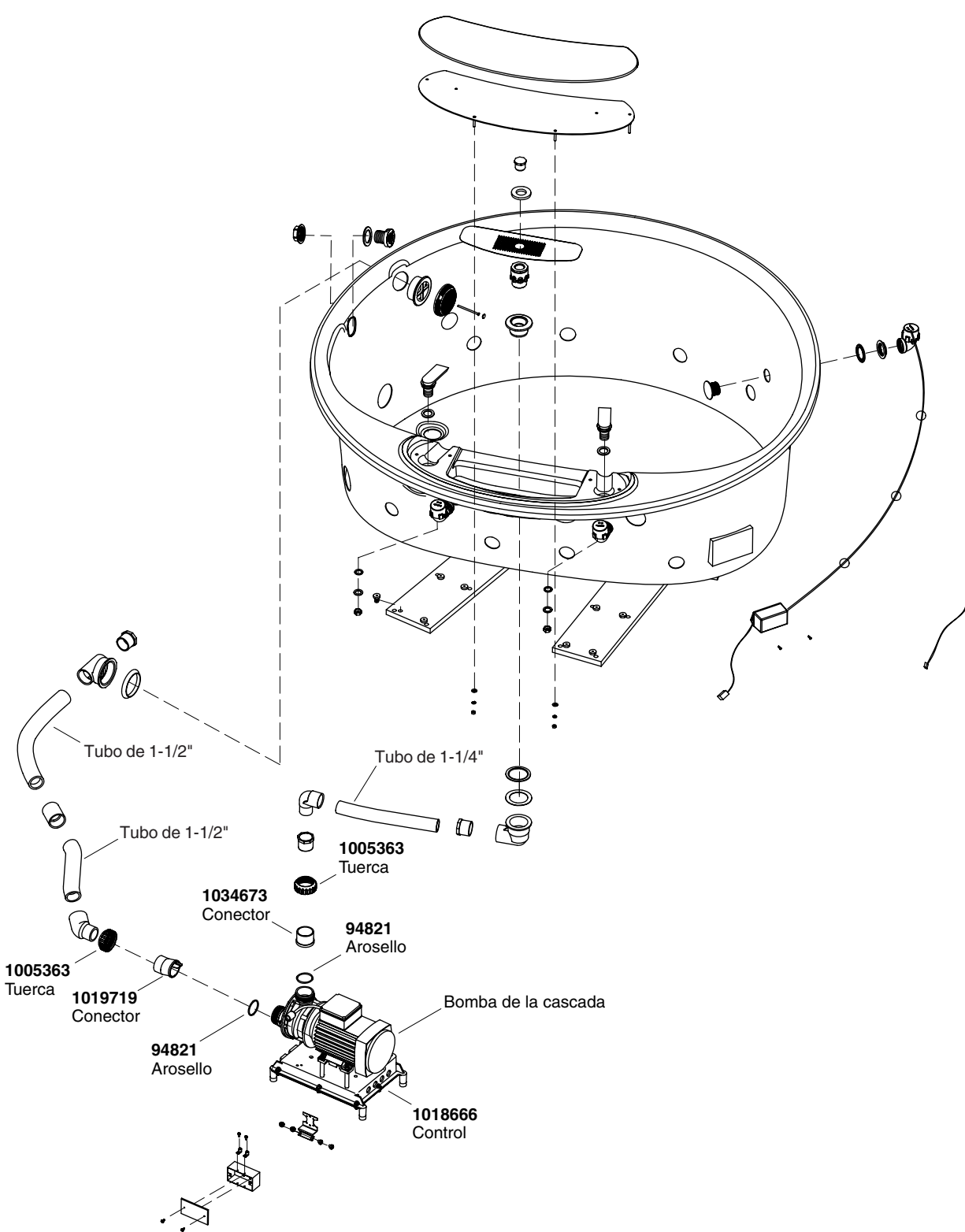
Síntomas	Causas probables	Acción recomendada
11. El flujo de aire a través de los jets no se detiene cuando se activa el modo Tidepool.	<p>A. El teclado no funciona.</p> <p>B. La válvula de mariposa no funciona.</p> <p>C. El control no funciona.</p>	<p>A. Revise el cableado. Reemplace el teclado. Consulte al vendedor/instalador.</p> <p>B. Revise el cableado. Reemplace la válvula de mariposa. Consulte al vendedor/instalador.</p> <p>C. Reemplace el control. Consulte al vendedor/instalador.</p>
12. El aire sigue fluyendo de uno o más jets durante varios segundos después de activar el modo Tidepool.	A. Operación normal - el aire dejará de fluir en poco tiempo.	A. No es necesario hacer nada.
13. La bomba se detiene antes de funcionar durante 18 minutos.	<p>A. El interruptor GFCI o RCD se ha disparado.</p> <p>B. La succión está obstruida.</p> <p>C. Los jets están obstruidos.</p> <p>D. El motor se ha sobrecalentado, activando el dispositivo de protección.</p>	<p>A. Identifique la causa de la falla y corrija. Oprima el botón de restablecer el interruptor GFCI o RCD.</p> <p>B. Elimine la obstrucción.</p> <p>C. Elimine la obstrucción.</p> <p>D. Verifique que no haya obstrucciones en la succión y/o jets. Elimine la obstrucción y deje enfriar el motor.</p>
14. La bomba no se apaga automáticamente después de 22 minutos.	A. El temporizador de 20 minutos se ha desactivado inadvertidamente.	A. Consulte el manual de mantenimiento.
15. La bomba no se apaga cuando se oprime el botón de encendido/apagado en el teclado.	<p>A. El teclado no funciona.</p> <p>B. El control no funciona.</p>	<p>A. Reemplace el teclado. Consulte al vendedor/instalador.</p> <p>B. Reemplace el control. Consulte al vendedor/instalador.</p>
16. La bomba funciona pero la opción de velocidad variable no funciona.	<p>A. El motor/bomba no funciona.</p> <p>B. El control no funciona.</p>	<p>A. Reemplace el motor/bomba. Consulte al vendedor/instalador.</p> <p>B. Reemplace el control. Consulte al vendedor/instalador.</p>
17. El agua de la bañera se enfría mientras la bomba está funcionando.	<p>A. La temperatura del agua sobrepasa los 104°F (40°C).</p> <p>B. El botón del calentador está apagado en el teclado.</p> <p>C. El cable que existe entre el calentador y el control está suelto, desconectado o dañado.</p> <p>D. El calentador no funciona.</p> <p>E. El control no funciona.</p>	<p>A. Deje enfriar el agua de la bañera.</p> <p>B. Encienda el calentador.</p> <p>C. Revise que los cables estén correctamente conectados. Consulte al vendedor/instalador.</p> <p>D. Reemplace el calentador. Consulte al vendedor/instalador.</p> <p>E. Reemplace el control. Consulte al vendedor/instalador.</p>
18. Funcionamiento ruidoso.	<p>A. Las cintas metálicas de la bomba no se han cortado.</p> <p>B. El arosello (O-ring) del jet está mal colocado o seco (ruidoso).</p>	<p>A. Corte las cintas metálicas con unas tijeras para chapa.</p> <p>B. Extraiga el jet, reemplace y lubrique el arosello (O-ring); vuelva a instalar el jet.</p>

Procedimientos para resolver problemas (cont.)

Síntomas	Causas probables	Acción recomendada
19. El control remoto (si está equipado) no funciona.	<ul style="list-style-type: none">A. Pilas mal instaladas o descargadas.B. La antena del arnés de cables está dañada.C. El control remoto no se ha programado correctamente.D. El control remoto no funciona.E. El control no funciona.	<ul style="list-style-type: none">A. Reemplace las pilas.B. Reemplace el arnés de cables. Consulte al vendedor/instalador.C. Consulte la guía del usuario o el manual de servicio.D. Reemplace el control remoto.E. Reemplace el control. Consulte al vendedor/instalador.

Guía para resolver problemas de las luces de cromoterapia (sólo los modelos H2)

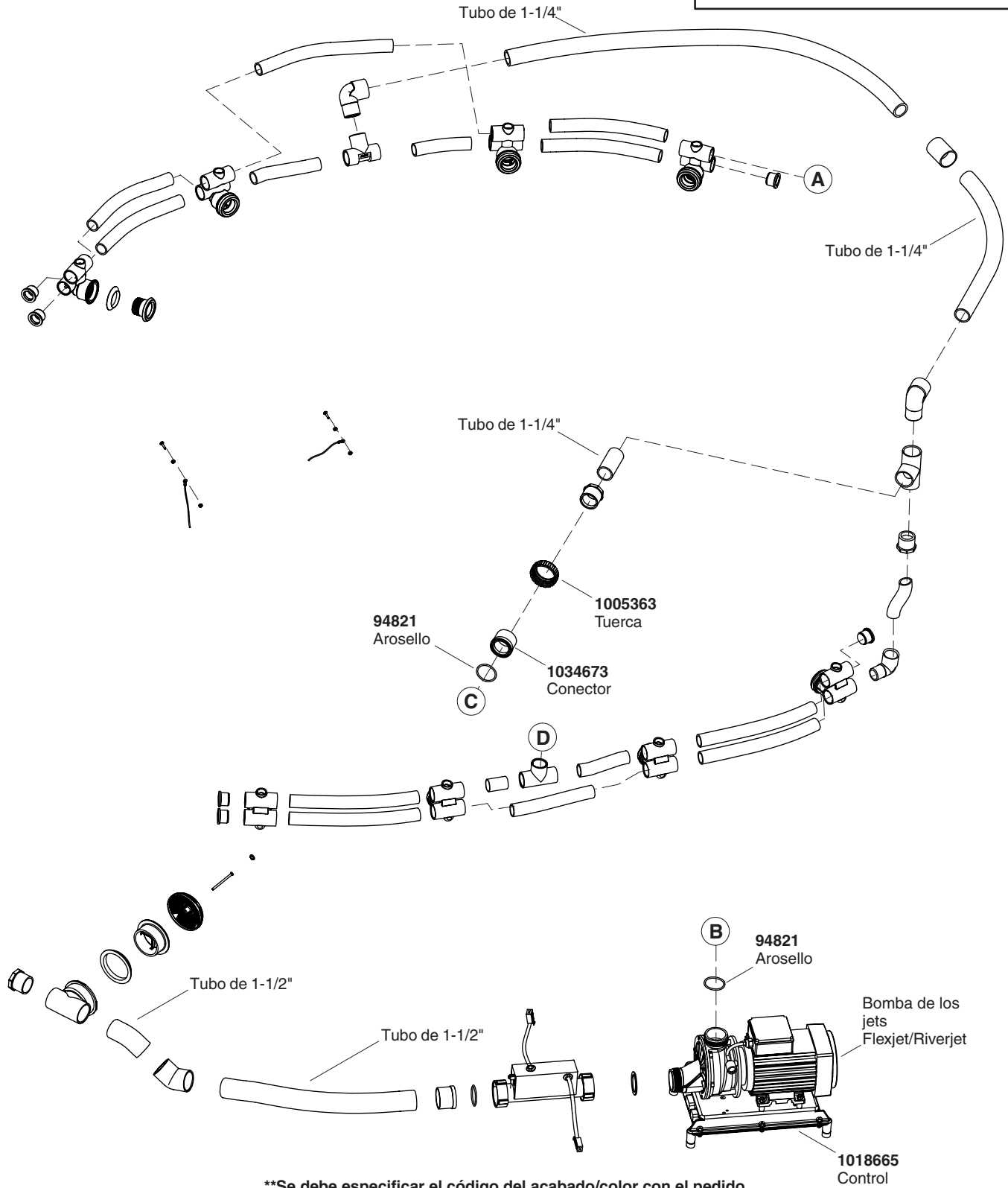
Síntomas	Causas probables	Acción recomendada
20. Las luces de cromoterapia no funcionan.	<ul style="list-style-type: none">A. Los cables/conexiones están flojos, desconectados o dañados.B. El control no funciona.	<ul style="list-style-type: none">A. Revise que los cables estén correctamente conectados. Reemplace los cables de ser necesario. Consulte al vendedor/instalador.B. Reemplace el control. Consulte al vendedor/instalador.



****Se debe especificar el código del acabado/color con el pedido.**

Piezas de repuesto

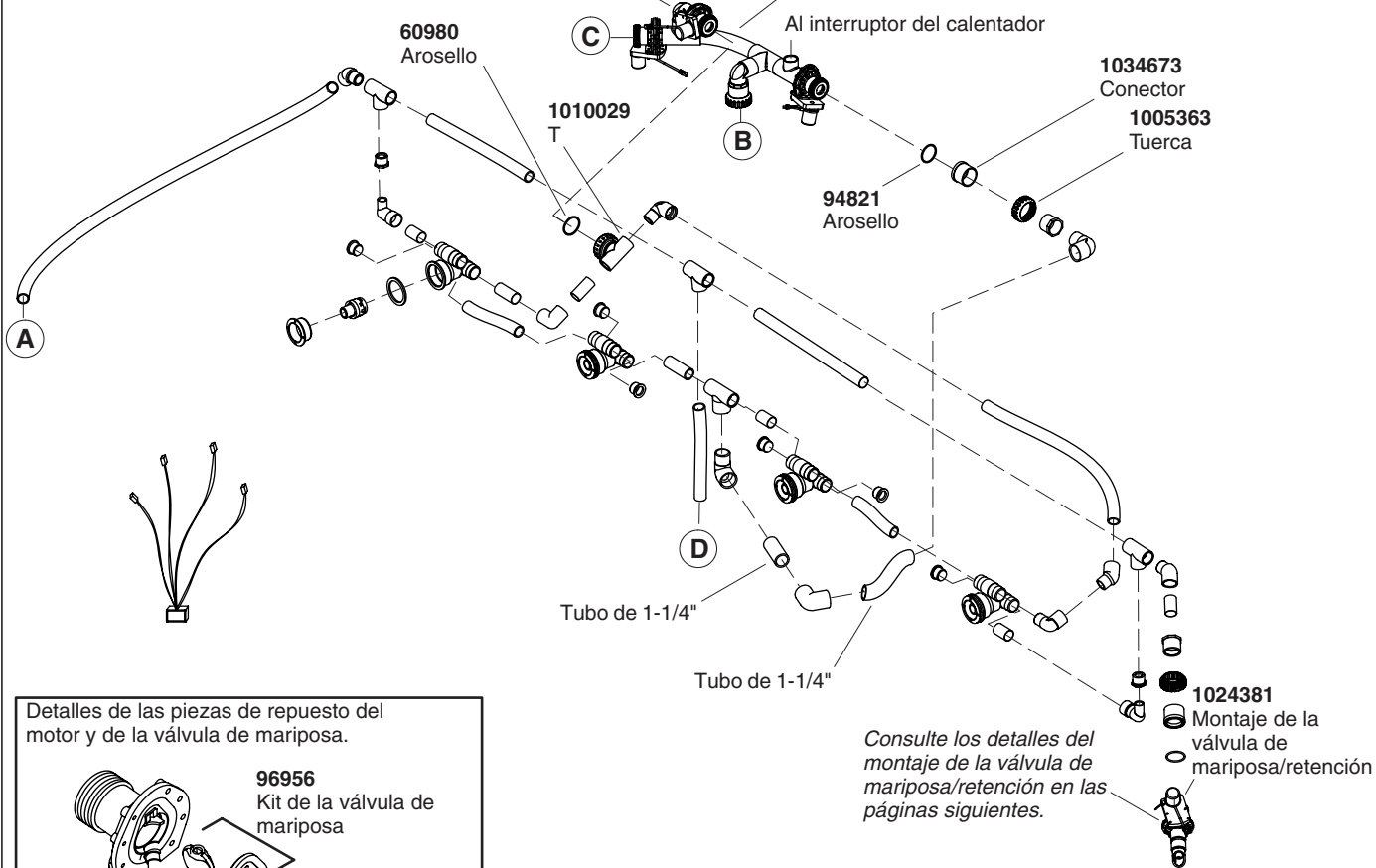
***Nota:** Todos los tubos de 1", a menos que se indique lo contrario.



***Nota:** Todos los tubos de 1", a menos que se indique lo contrario.

Vea más abajo los detalles de las piezas de repuesto de la válvula de mariposa y del motor.

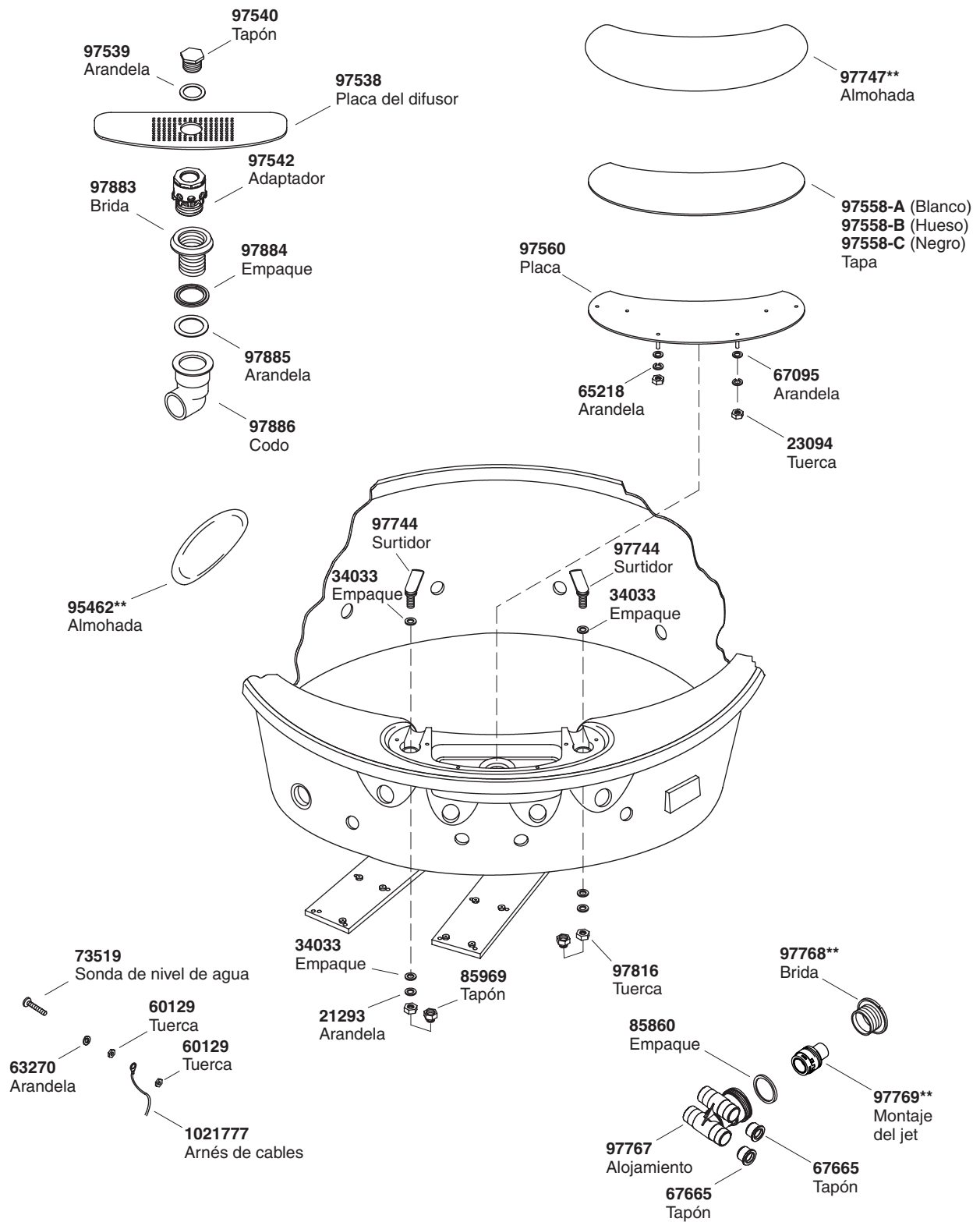
1024376
Montaje de la válvula de mariposa



Detalles de las piezas de repuesto del motor y de la válvula de mariposa.

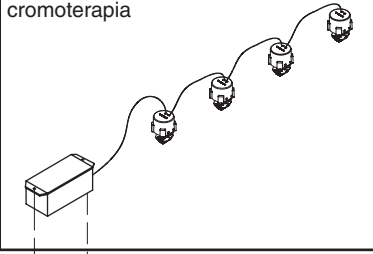
Consulte los detalles del montaje de la válvula de mariposa/retención en las páginas siguientes.

****Se debe especificar el código del acabado/color con el pedido.**

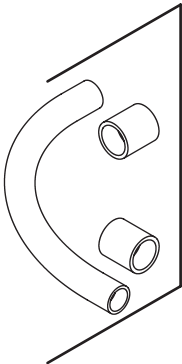


****Se debe especificar el código del acabado/color con el pedido.**

1019933
Luces de cromoterapia



93192
Tornillo



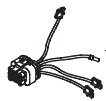
93836 (1/2")
93838 (1")
93839 (1-1/4")
94853 (1-1/2")
Tubo (con empalmes)

1012821
Alojamiento de la luz

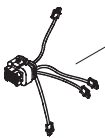


1010618
Codo

1015012
Montaje del enchufe/cable



1015023
Montaje del enchufe/cable



1003065
Herramienta para extraer la brida de succión



73518
Tapón



93685
Alojamiento



96708
Brida



65886
Empaque



65054**
Tornillo



96895** (Acabados de color)
65061** (Acabados metálicos)
Tapa



65226**
Tapón de la tapa de succión

91967
Válvula de retención



94469
Herramienta para extraer la brida



67665
Tapón

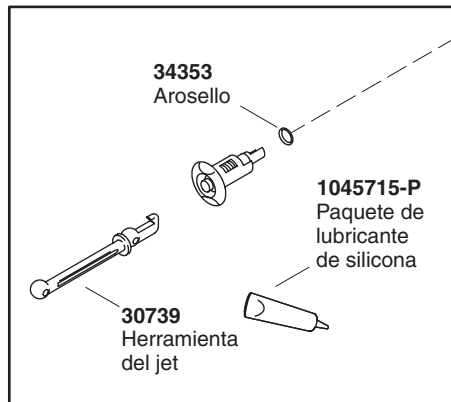


67429
Brida



67889
Alojamiento del jet

65885
Empaque



34353
Arosello



1045715-P
Paquete de lubricante de silicona

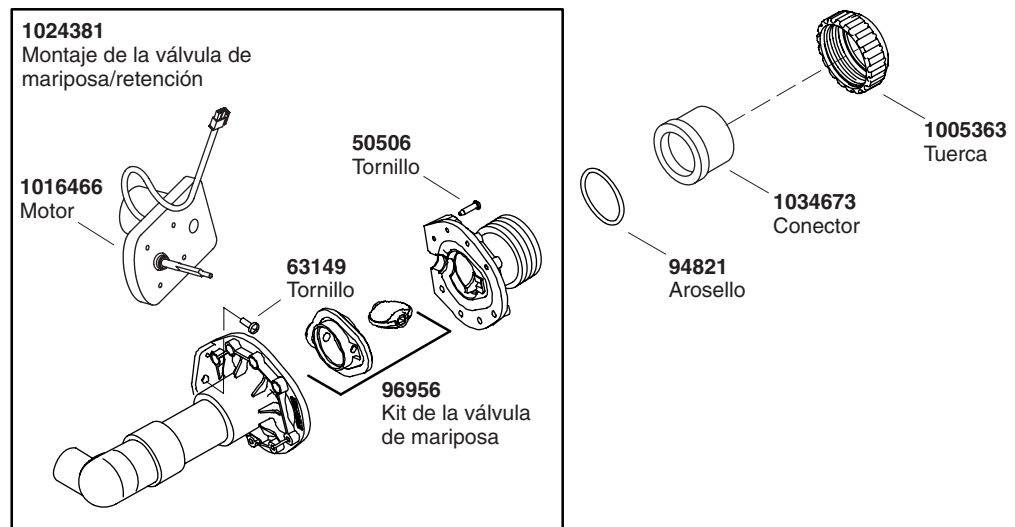
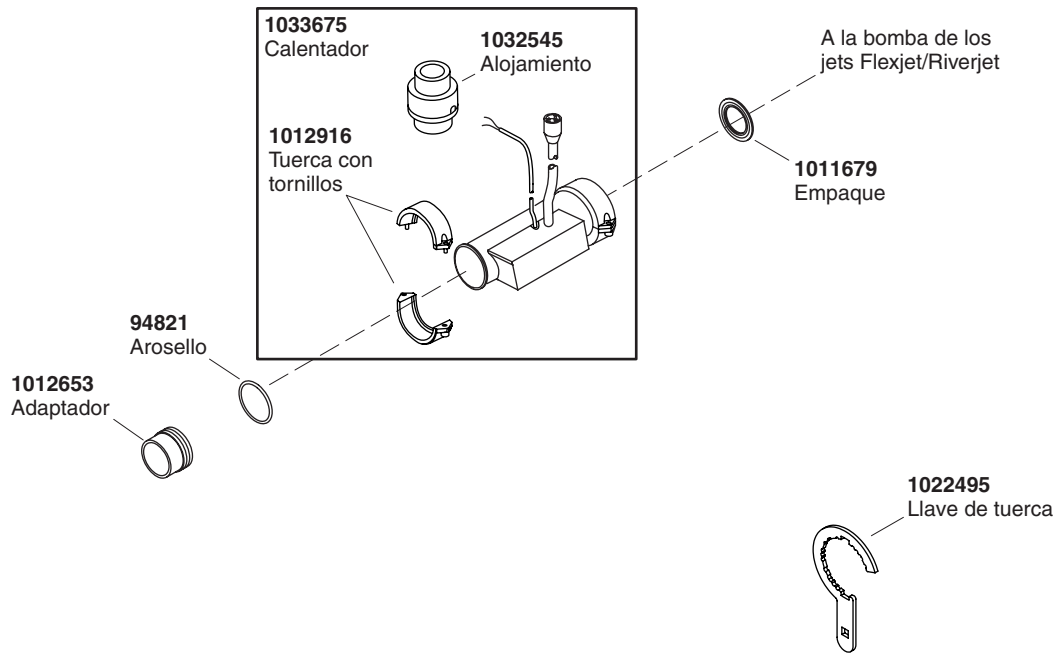
30739
Herramienta del jet



Un solo jet para bañeras de hidromasaje de 6 o más jets

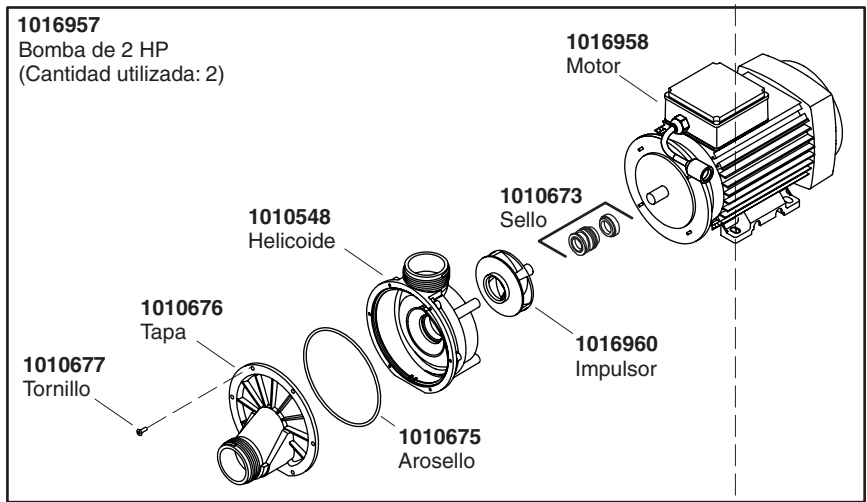
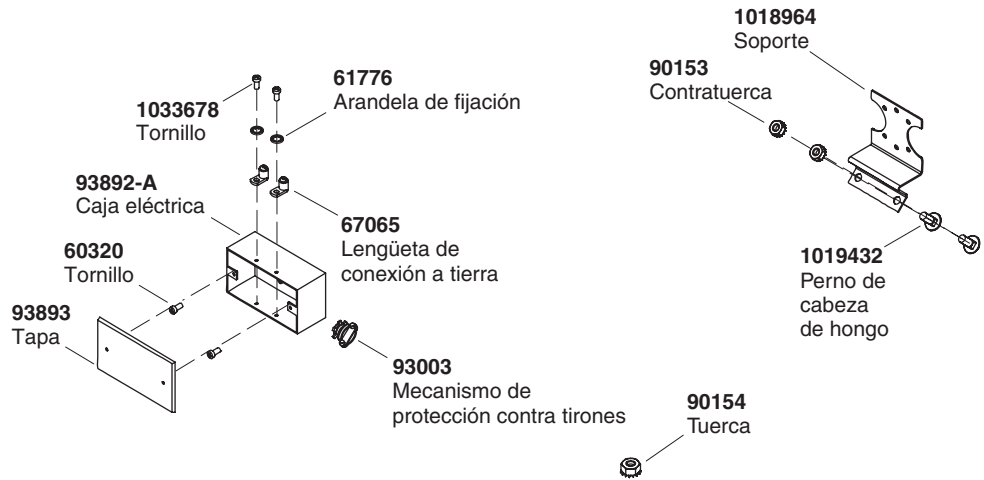
88530** (Acabados de color)
88529** (Acabados metálicos)
Jet

**Se debe especificar el código del acabado/color con el pedido.



****Se debe especificar el código del acabado/color con el pedido.**

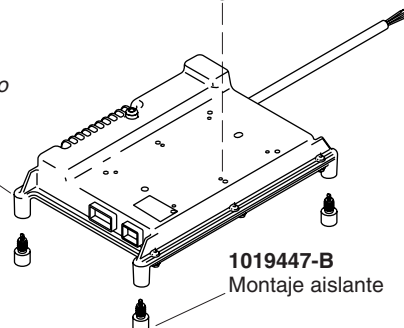
61845-K
Cable de cobre
para puesta a
tierra



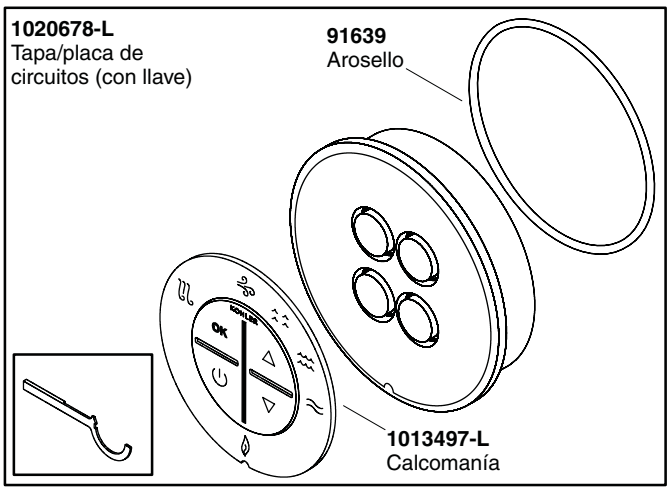
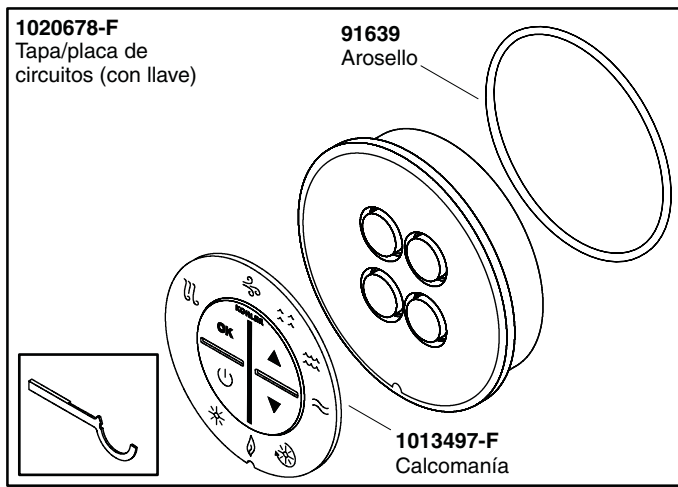
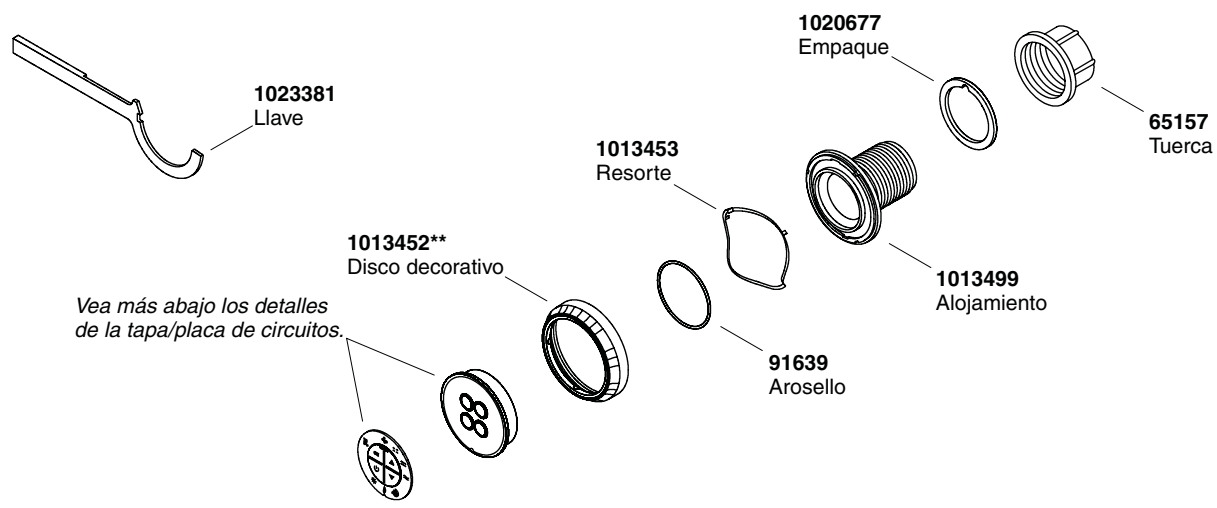
1019444-A [3/4"(2 cm)]
1019444-H [2-1/2"(6,4 cm)]
Espaciador

1019445-A [1-3/4"(4,4 cm)]
1019445-H [3-1/2"(8,9 cm)]
Perno

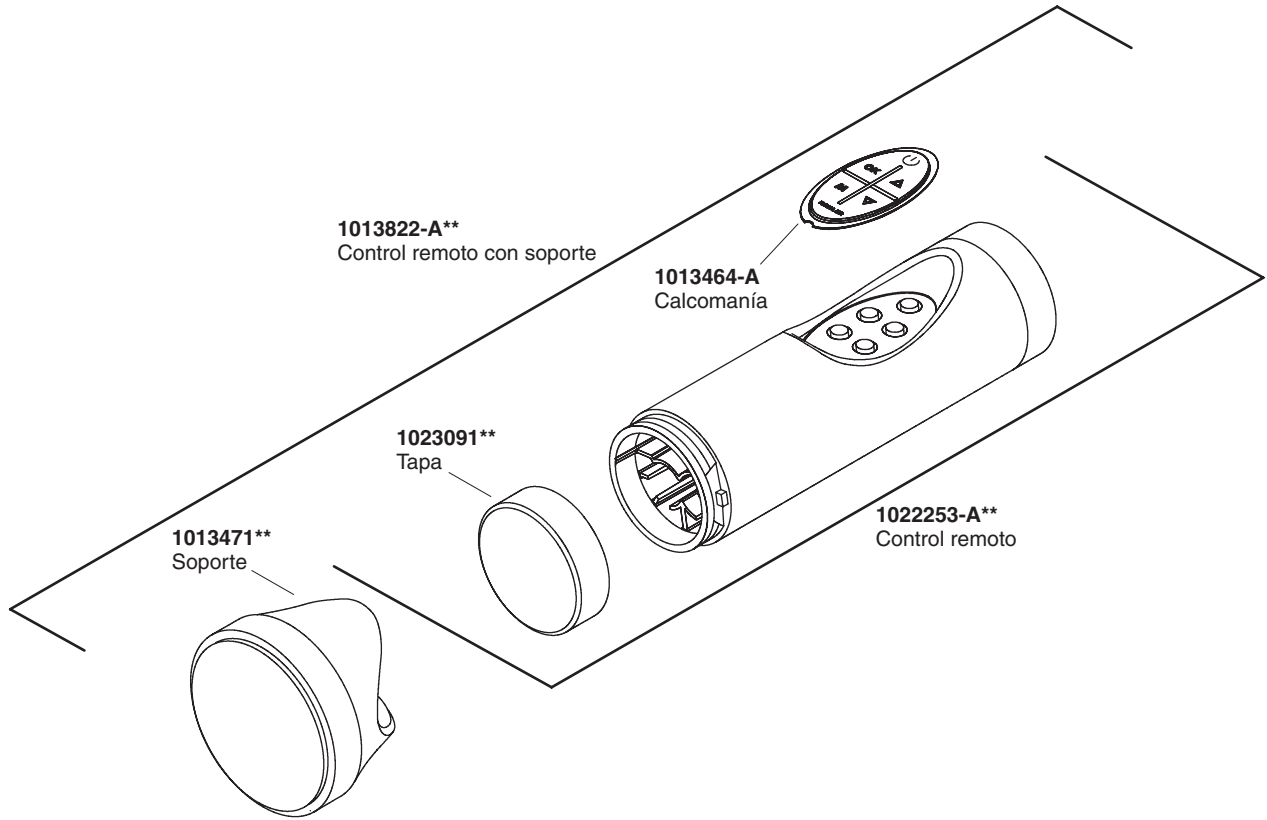
Los controles varían dependiendo de la aplicación de la bomba. Consulte los detalles del arnés para la correcta identificación.



****Se debe especificar el código del acabado/color con el pedido.**



****Se debe especificar el código del acabado/color con el pedido.**



****Se debe especificar el código del acabado/color con el pedido.**

USA: 1-800-4-KOHLER
Canada: 1-800-964-5590
México: 001-877-680-1310

kohler.com

THE BOLD LOOK
OF **KOHLER**®

©2007 Kohler Co.

1022209-5-D