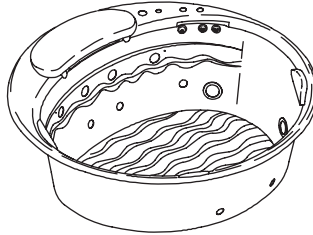


Installation Guide

Round Bath Whirlpool

K-1394, K-1397, K-1399



M product numbers are for Mexico (i.e. K-12345**M**)
Los números de productos seguidos de **M** corresponden a México
(Ej. K-12345**M**)
Français, page "Français-1"
Español, página "Español-1"

THE BOLD LOOK
OF **KOHLER**®

Important Information



WARNING: When using electrical products, basic precautions should always be followed, including the following:



DANGER: Risk of electric shock. Connect only to circuits protected by Ground-Fault Circuit-Interrupters (GFCI's) or Earth-Leakage Circuit-Breakers (ELCB's).



WARNING: Risk of electric shock. A licensed electrician should make all electrical connections.



WARNING: Risk of electric shock. Disconnect power before servicing.



WARNING: Risk of injury or property damage. Please read all instructions thoroughly before beginning installation, including the following requirements.

Building materials and wiring should be routed away from the pump bodies and other heat-producing components of the unit.

Install to permit access for servicing.

Pressure wire connectors marked "Earth/Ground" are provided within the wiring compartments. To reduce the risk of electric shock, connect these connectors to the grounding terminals of your electric service or supply panel with copper wire equivalent in size to the circuit conductors supplying this equipment.

Pressure wire connectors are provided on the exterior of the junction boxes or controls within this unit to permit connection of bonding conductors between this unit and all other exposed metal in the vicinity, as needed to comply with local requirements.

Grounding is required. The unit should be installed by a qualified service representative, and grounded.

NOTICE: Follow all local plumbing and electrical codes.

Product Information

Electrical Requirements

The installation must have two Class A Ground-Fault Circuit-Interrupters (GFCI's) or Earth-Leakage Circuit-Breakers (ELCB's). The GFCI's or ELCB's protect against line-to-ground shock hazard. **Use two 220-240 V, 20 A, 50/60 Hz dedicated services; one for each pump/control/heater system.**

Product Notices



WARNING: Unauthorized modification may cause unsafe operation and poor performance of the whirlpool. Do not relocate the whirlpool pumps, or make other modifications to the whirlpool system, as this could adversely affect the performance and safe operation of the whirlpool. Kohler Co. shall not be liable under its warranty or otherwise for personal injury or damage caused by any such unauthorized modification.

Features

Components include two pumps, two controls, a heater, Waterfall, Flexjets, Riverjets, chromatherapy lights (Model H2 only), integral fill valve (K-1397 only), and illuminated keypad with remote control.

Connections and Service Access

Before installation, ensure proper access to the final connections.

Product Information (cont.)

NOTICE: Provide generous, unrestricted service access to the pump. You must provide a minimum 48" (122 cm) wide x 15" (38.1 cm) high access panel for servicing the pumps and controls. The access must be located immediately next to the pumps. Study the roughing-in information packed with the whirlpool.

Table of Contents

Important Information	2
Product Information	2
Electrical Requirements	2
Product Notices	2
Features	2
Connections and Service Access	2
Before You Begin	4
Tools and Materials	4
Prepare the Site	5
Prepare the Whirlpool	5
Secure the Whirlpool to the Subfloor	6
Cut the Pump Banding Straps	7
Install the Plumbing	7
Make Electrical Connections	8
Install the Whirlpool Trim Kit	10
Test Run the Whirlpool	10
Complete the Finished Wall/Deck	11
Complete the Concrete Installation	11
Clean-Up After Installation	11
Install the Removable Pillows	12
Confirm Proper Operation	13
Operating Sequence	14
Chromatherapy Operation	15
Remote Control Operation	15
Troubleshooting Procedures	15

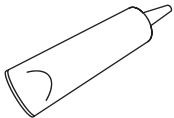
Before You Begin



CAUTION: Risk of product damage. Do not lift the whirlpool by the piping or pump, or use the piping or pump for structural support of the whirlpool.

- We recommend this whirlpool for drop-in or flush installation.
- Inspect the whirlpool for damage before you begin installation.
- You must install this whirlpool to an adequately supported, level subfloor.
- Model K-1397 features an integral fill system using dual fill ports at both sides of the Waterfall, and preinstalled valving.
- Model K-1399 allows you to use the fill valving of your choice - you can use the pre-installed dual fill ports or a separate fill spout if you desire. Confirm adequate support for a rim-mounted faucet, if used; large faucets that may be inadvertently used as a means of support are not appropriate or safe for this installation.
- Consult local and national codes.
- Kohler Co. reserves the right to make revisions in the design of products without notice, as specified in the Price Book.

Tools and Materials



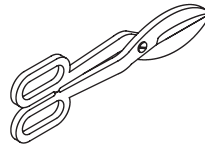
Silicone Sealant



Measuring Tape



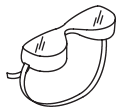
Pencil



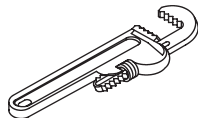
Tin Snips



Level



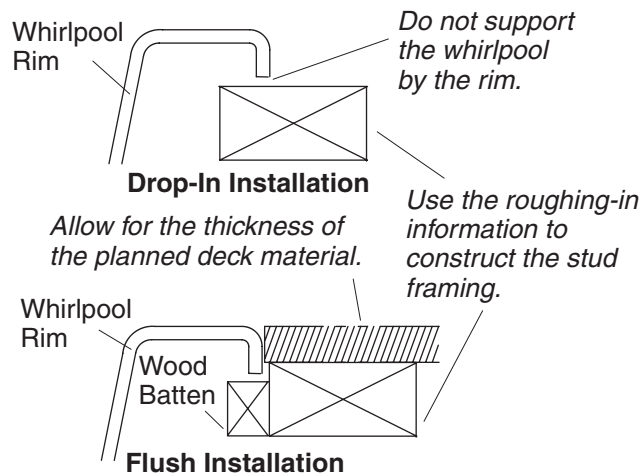
Safety Glasses



Pipe Wrench

Plus:

- Conventional woodworking tools and materials
- Drop Cloth
- Cement, mortar or construction adhesive
- 2x4 wood boards



1. Prepare the Site



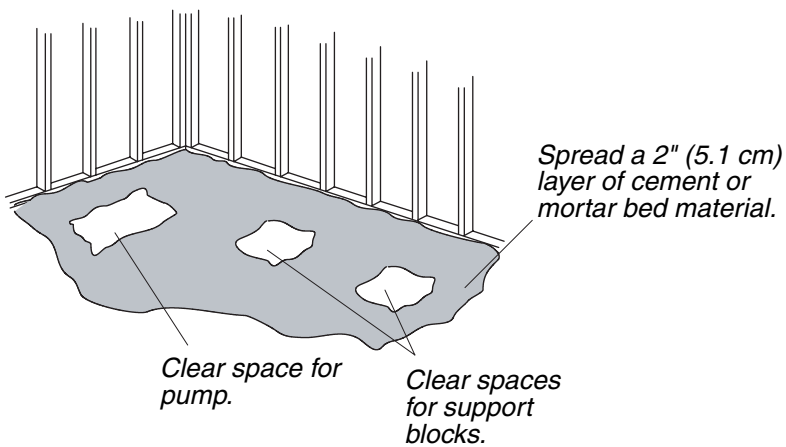
CAUTION: Risk of product damage. Do not support the whirlpool by the rim.

NOTICE: Adequate floor support must be provided. Consult the roughing-in sheet packed with your whirlpool for specific floor loading requirements.

- Make sure the flooring offers adequate support for your whirlpool, and verify that the subfloor is flat and level.
- The whirlpool should be installed in a drop-in or flush installation. Construct 2x4 stud framing or concrete or brick support designed for your particular installation. Frame the floor, or construct a frame or support for a raised installation in accordance with the roughing-in information packed with the whirlpool.
- Use the template packed with the whirlpool to carefully lay out and cut the rough deck material. For flush-mount installation, allow for the thickness of the planned deck material.
- Position the plumbing according to the roughing-in information packed. Cap the supplies, and check for leaks.

2. Prepare the Whirlpool

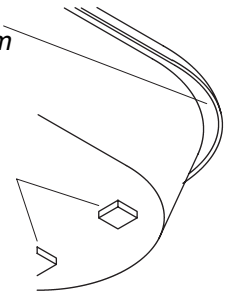
- Install the drain to the whirlpool according to the drain manufacturer's instructions. Do not connect the trap at this time.
- Position a clean drop cloth or similar material in the bottom of the whirlpool. Be careful not to scratch the surface of the whirlpool.



Apply a bead of silicone sealant around the entire rim

or

Apply construction adhesive to the support blocks.



3. Secure the Whirlpool to the Subfloor



CAUTION: Risk of product damage. Do not lift the whirlpool by the piping or pumps, or use the piping or pumps for structural support of the whirlpool.

- Choose the installation option that best applies to your particular installation. Follow the appropriate instructions.
- If the subfloor is not level, shim the whirlpool support blocks as necessary.

Option for Using a Cement or Mortar Bed

- Spread a 2" (5 cm) thick layer of cement or mortar on the subfloor where the whirlpool will be set. This will help secure, level, and support the unit. Clear all the material away from the pump controls and support block locations.

NOTE: Do not use gypsum cement or drywall compound for this application, as they will not provide an acceptable, durable bond.

NOTE: The pump controls (when the pump banding straps are cut) and support blocks must rest directly on the subfloor.

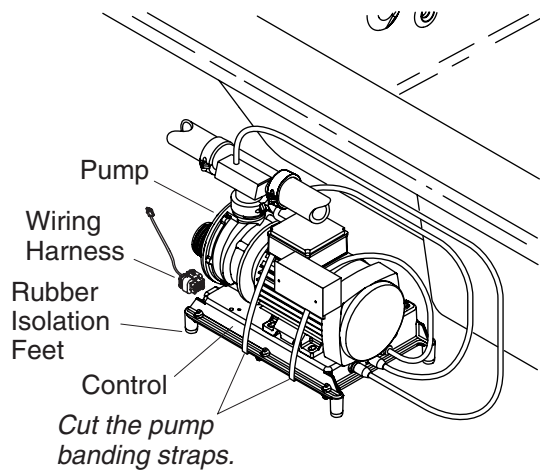
- Position a piece of plastic drop cloth material on top of the cement or mortar bed. With help, carefully lift the whirlpool into place, and make sure the pump controls and support blocks do not rest in the bed material.
- Insert the drain tailpiece into the trap. Make sure the whirlpool is level and resting on all support blocks.

Option for Using Construction Adhesive

- Apply a generous amount of high-quality construction adhesive to the bottom of the support blocks. With help, carefully lift the whirlpool into position.
- Insert the drain tailpiece into the trap. Make sure the whirlpool is level and resting on all support blocks.

Option for Using Silicone Sealant

- With help, carefully lift the whirlpool into position.
- Insert the drain tailpiece into the trap. Make sure the whirlpool is level and resting on all support blocks.
- Apply a continuous bead of high-quality silicone sealant around the entire rim of the whirlpool.



4. Cut the Pump Banding Straps

IMPORTANT! This step is necessary to make your Kohler whirlpool operate more quietly.

- Use tin snips to cut the two pump banding straps from each whirlpool pump.

NOTE: Do not raise the pumps higher than they were before you cut the pump banding straps. If the pumps are raised too high, they will not prime properly. Make sure the rubber isolation feet are in place.

- To minimize whirlpool noise and vibration, be sure the pumps are not in direct contact with the whirlpool after the pump banding straps are cut. The pump controls contain rubber isolation feet to reduce pump noise.

5. Install the Plumbing

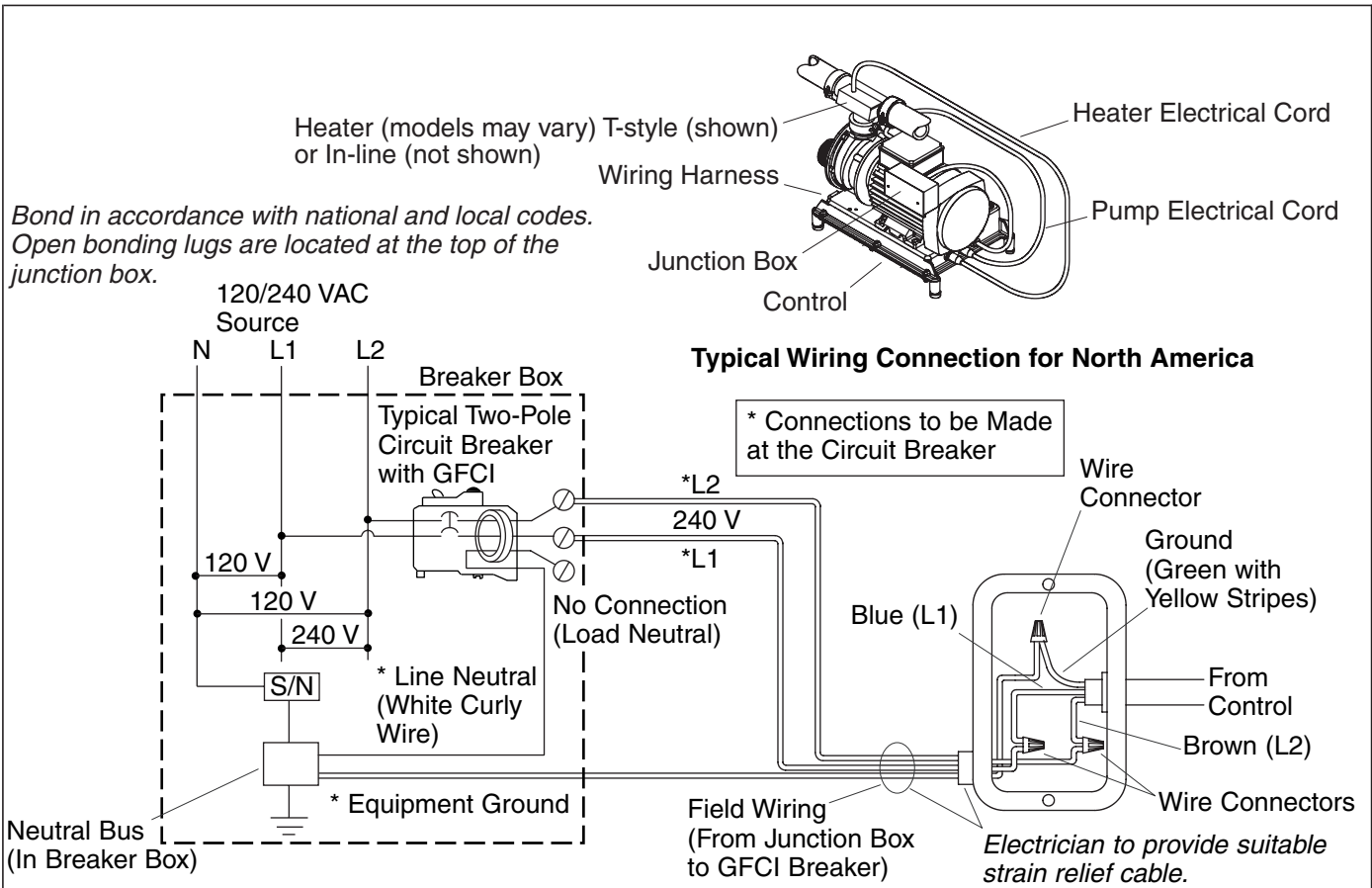


CAUTION: Risk of property damage. Ensure a watertight seal on the whirlpool drain.

- Connect the drain to the trap according to the drain manufacturer's instructions.

NOTICE: An access panel will simplify future maintenance.

- **K-1397 only:** Connect the hot and cold water supply lines to the integral fill valves according to local codes. An additional hole is pre-drilled in the bath shell for the handshower. Install the handshower at this time. Connect the end of the handshower hose to the open port of the transfer valve (beneath the bath rim). Make sure the transfer valve stem is rotated fully clockwise. The transfer valve includes an integral vacuum breaker that protects both the fill spouts and the handshower from water backflow.
- **K-1399 only:** Install the faucet valving according to the faucet manufacturer's instructions. Connect the valving to the whirlpool fill ports (spouts) according to local codes.
- **All models:** Do not install the faucet trim until instructed. Open the hot and cold water supplies, and check the supply connections for leakage.
- Run water into the whirlpool, and check the drain connections for leakage.
- Rotate the transfer valve stem, and check the handshower connections for leakage.



6. Make Electrical Connections

NOTE: The product model number is printed on a label on the pump side of the overflowing bath. This label also identifies the electrical rating of the whirlpool. **These whirlpools come equipped with two wiring junction boxes and are designed to operate between 208 VAC and 240 VAC at either 50 Hz or 60 Hz.**



WARNING: Risk of electrical shock. Make sure the power has been disconnected before performing the following procedures. Refer to the "Important Information" section.



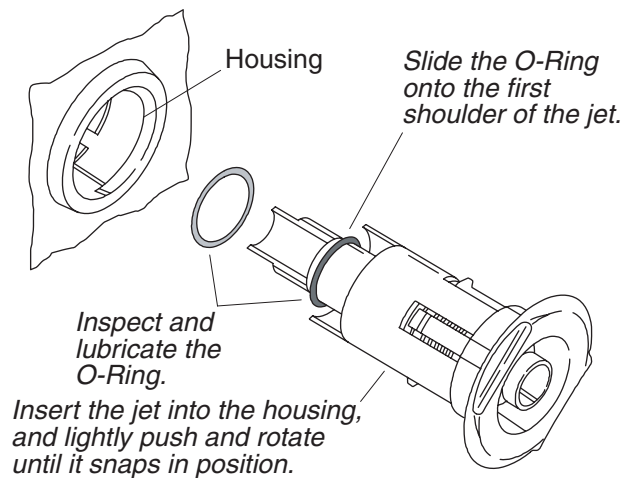
WARNING: Risk of electrical shock. To reduce the risk of electrical shock, connect the pump to a properly grounded Ground-Fault Circuit-Interrupter (GFCI) or Earth-Leakage Circuit-Breaker (ELCB). The heater will also need to be connected to a properly grounded Ground-Fault Circuit-Interrupter (GFCI) or Earth-Leakage Circuit-Breaker (ELCB). This will provide additional protection against line-to-ground shock hazard. Two 208-240 V, 20 A, 50/60 Hz dedicated circuits are required.

IMPORTANT! The **load neutral** is not used. There should be no connection to the **load neutral** terminal on the Ground-Fault Circuit-Interrupter (GFCI) breaker. The green wire with the yellow stripes is the **equipment ground** and needs to be connected to the neutral bus in the main circuit breaker box.

- The control and heater have been pre-wired at the factory. A licensed electrician should make routine service connections to each of the junction boxes.
- Connect service to the junction boxes. Both junction boxes contain blue, brown, and green with yellow stripe colored wires.
- Follow local electrical codes. Bond in accordance with national and local codes.
- A wiring harness has been pre-wired at the factory, allowing communication between the keypad, all features, and the control. No additional wiring is required, but ensure that all wires are securely fastened.

Make Electrical Connections (cont.)

NOTE: Your wiring harness included an antenna for the optional remote control. Do not alter or damage this antenna during installation.



7. Install the Whirlpool Trim Kit

- Install the whirlpool trim kit (if not factory installed) according to the instructions packed with the trim kit. Pay particular attention to the jet installation steps below - they are very important and are included here to help you obtain smooth, trouble-free jet operation.

NOTE: The jet O-ring must be correctly positioned, must be lubricated, and must be in good condition to permit easy rotation and proper operation of the jet.

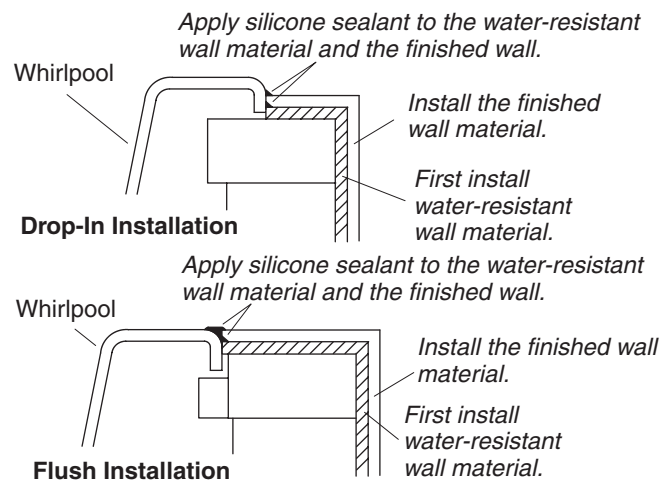
- Install the O-ring onto the **first shoulder** of the jet. Lubricate the O-ring with silicone lubricant to prevent noisy operation of the jet.
- Carefully insert the jet into the housing, and lightly push and rotate the jet until it snaps into position. **Do not force the jet.**

NOTE: When installed correctly, the jet should turn smoothly both clockwise and counterclockwise.

8. Test Run the Whirlpool

- Check all electrical connections, then make sure all union connections to the pumps and heater are securely hand tightened.
- Verify both sets of pump banding straps have been cut and the pump controls are resting directly on the subfloor. Ensure the rubber isolation feet are in place.
- Turn electrical power to the whirlpool on.
- Fill the whirlpool to a level above the Riverjet water level sensors located on either side of the Riverjets.
- Operate the whirlpool for 5 minutes (refer to the "Operating Sequence" section).
- Check for leaks coming from the piping connections on the back side of the whirlpool unit.
- Turn on the each of the whirlpool features and verify proper function. Check for any water leakage on the whirlpool's back side.
- If equipped, turn on the chromatherapy cycle and allow it to sequence through all eight colors; white, violet, indigo blue, aqua blue, green, yellow, orange and red. It takes approximately 1 minute to cycle through all eight colors.
- Verify functions using the remote control. Refer to the "Remote Control Operation" section.

NOTE: For additional information on whirlpool operation, see the "Confirm Proper Operation" section of this guide.



9. Complete the Finished Wall/Deck

- If you have not already done so, carefully remove the protective tape from the whirlpool rim.
- Cover the framing with water-resistant wall material. Seal the joints between the whirlpool rim edge and the water-resistant wall material with silicone sealant.
- Tape and mud the water-resistant wall material. Install the finished wall to the water-resistant wall material so it is 1/16" (2 mm) above the enameled surface. Seal the joints between the whirlpool rim and the finished wall material with silicone sealant.
- Install the faucet trim according to the instructions packed with the trim.

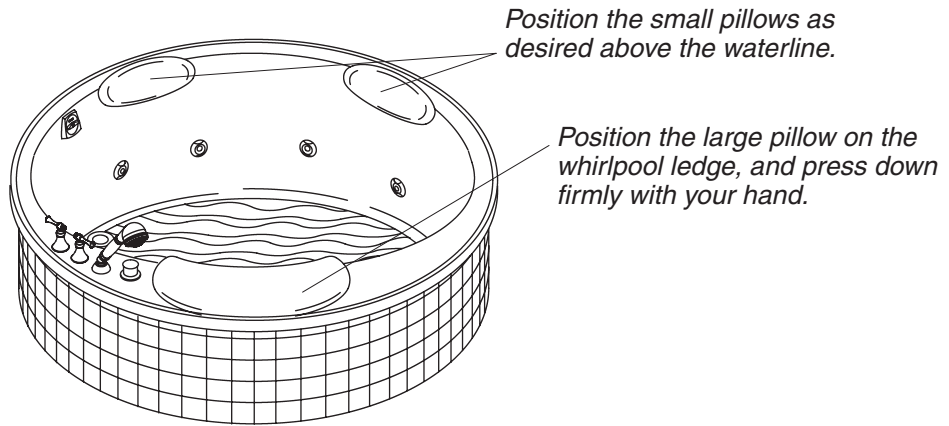
10. Complete the Concrete Installation

- If you have not already done so, carefully remove the protective tape from the whirlpool rim.
- Apply mortar and tile to the wall, deck and surround material as needed.
- Apply a bead of sealant where the tile meets the whirlpool surface.
- Install the faucet trim according to the instructions packed with the trim.

11. Clean-Up After Installation

- When cleaning up after installation, **do not use abrasive cleansers**, as they may scratch and dull the whirlpool surface. If necessary, use warm water and a liquid detergent to clean the surface of the whirlpool, user keypad and remote control.
- Remove stubborn stains, paint, or tar with turpentine or paint thinner. **Do not allow cleaners containing petroleum distillates to remain in contact with any whirlpool surfaces for long periods of time.** Remove plaster by carefully scraping with a wood edge. Do not use metal scrapers, wire brushes, or other metal tools. Use a powder-type detergent on a damp cloth to provide mild abrasive action to any residual plaster.

Three pillows are shown -
four are included



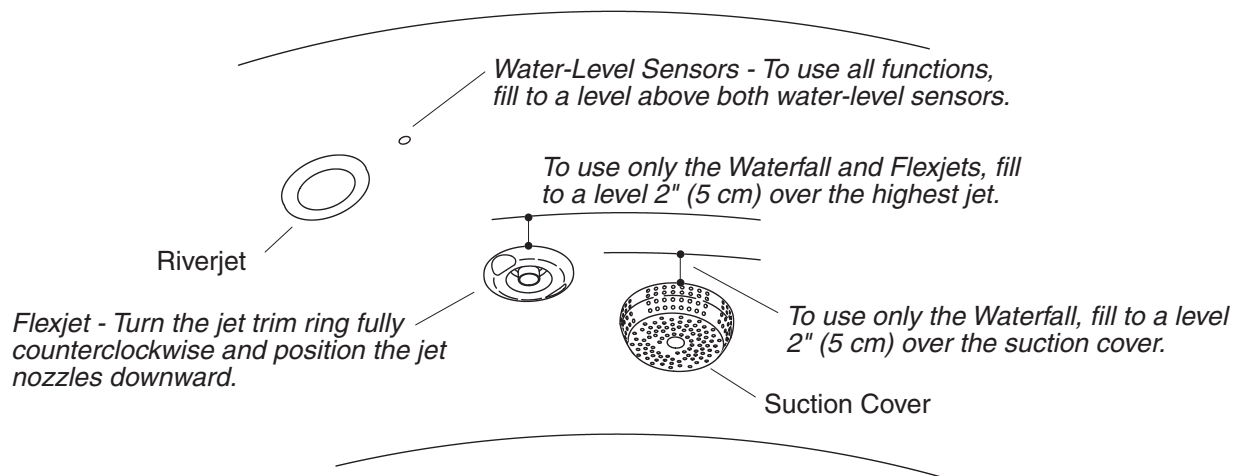
12. Install the Removable Pillows



CAUTION: Risk of product damage. Do not submerge the pillows underwater or use them as seat cushions.

NOTE: For best attachment to the whirlpool surface, moisten the back surface of the pillows at the suction cup locations.

- Clean the whirlpool surface of any soap film or oils. Suction cups are located on the back side of the pillows. Position the large pillow in the appropriate location on the whirlpool ledge, and press down firmly at the suction cup locations with the heel of your hand. Position the small pillows as desired above the waterline by again pressing down firmly with the heel of your hand. Check to make sure that the pillows are attached firmly to the whirlpool.
- Detach the pillows by lifting them off the whirlpool surface.



13. Confirm Proper Operation

Fill the Whirlpool

NOTE: Please read these steps carefully before you operate your whirlpool.

- Turn the jet trim rings fully counterclockwise. Position the jet nozzles so they face down toward the basin.

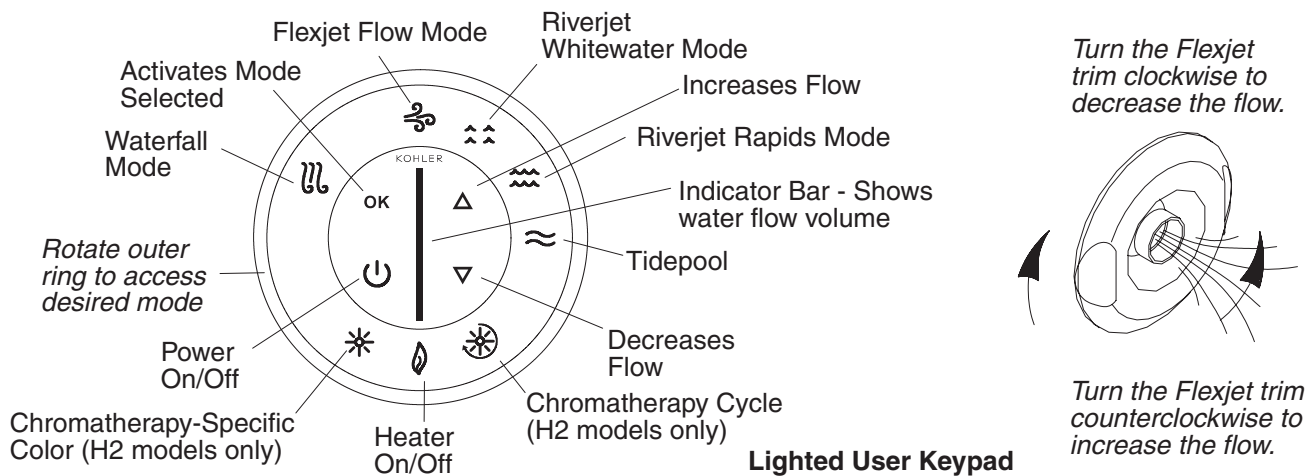
NOTE: For Waterfall only use (no Flexjets or Riverjets), you only need to fill the whirlpool basin to a level about 2" (5 cm) above the top of the suction covers.

NOTE: For Waterfall or Flexjets (no Riverjets), you only need to fill the whirlpool basin to a level about 2" (5 cm) above the top of the highest Flexjet.

- **To operate all functions:** Fill the whirlpool to a level above the water-level sensors on either side of the Riverjets.

NOTE: The Riverjets will only operate if both water-level sensors are completely covered with water. If the water level drops below the sensors, the Riverjets will automatically turn off, and the Flexjets will turn on. The Riverjets and Flexjets will not operate at the same time.

NOTE: The water temperature in the whirlpool should not exceed 104°F (40°C). The heater will automatically turn off as the water temperature approaches 104°F (40°C) and will remain off until the water cools.



14. Operating Sequence

NOTE: A built-in heater automatically helps to maintain the water temperature when the whirlpool is running, as long as the water temperature does not exceed 104°F (40°C). The heater will disengage at higher temperatures.

IMPORTANT! Please refer to your Homeowners Guide for detailed instructions on the user keypad and remote control.

NOTE: Your RiverBath uses two pumps. One pump powers the Waterfall, and the second pump propels water through the Flexjets and Riverjets.

- **To turn the whirlpool on:** Press the Power On/Off button or rotate the outer ring to access a desired mode, as described below.
- **To access a desired mode:** Rotate the outer ring until the button is flashing blue. Press "OK" to activate the mode. The active mode will flash green. To turn off a mode, rotate the outer ring until the button is flashing blue and press "OK" again. Verify each of the features listed below.
- **Waterfall:** When activated, the Waterfall will start to flow at medium volume within several seconds. The Waterfall mode is not heated. Increase or decrease the water flow by pressing either the up or down arrow buttons on the keypad. An indicator bar in the center of the keypad shows the water flow volume. The Waterfall may be used alone, or with any one of the following; Flexjets, Whitewater mode or Rapids mode.
- **Flexjets:** When activated, the Flexjets, located lower in your whirlpool than the Riverjets, will start to flow at medium volume immediately. Increase or decrease the water flow by pressing either the up or down arrow buttons on the keypad. An indicator bar in the center of the keypad shows the water flow volume.
- **Whitewater:** Whitewater mode activates the two outside Riverjets behind your neck to flow at medium volume. Increase or decrease the water flow by pressing either the up or down arrow buttons on the keypad. An indicator bar in the center of the keypad shows the water flow volume.
- **Rapids:** Rapids mode activates the four Riverjets behind your neck to flow at medium volume. Increase or decrease the water flow by pressing either the up or down arrow buttons on the keypad. An indicator bar in the center of the keypad shows the water flow volume.
- **Tidepool:** This feature turns off the air flow to the jets for a soothing, relaxing effect. The Tidepool feature may be used at any time while any of the jets are operating. The Tidepool mode does not affect the Waterfall.

NOTE: Some air may flow from one or more jets for a short time after the Tidepool feature has been activated.

Operating Sequence (cont.)

- **Heater:** The built-in heater automatically helps to maintain the water temperature when any of the jets are operating, as long as the water temperature does not exceed 104°F (40°C). The heater may be turned off at any time while the pumps are operating, by rotating the outer ring until the heater button is flashing and pressing "OK". Press "OK" again to turn the heater back on.
- Your whirlpool jet system adds air to the water stream (when not in the Tidepool mode) to increase the force of the water flow. Decrease the force of the whirlpool water flow by turning the whirlpool trim rings clockwise until you obtain the desired water force. Turn the trim rings counterclockwise to increase the water flow force.
- Press the Power On/Off button to turn the whirlpool off.

NOTE: A built-in timer automatically stops the pump and motor after approximately 20 minutes of operation.

15. Chromatherapy Operation

Equipped on H2 Models Only

NOTE: Chromatherapy may be used with all modes of operation. Chromatherapy may also be used when the pumps are not operating.

- **Chromatherapy Cycle:** When this mode is activated, the chromatherapy lights will automatically and continuously cycle through the eight colors; white, violet, indigo blue, aqua blue, green, yellow, orange and red. One cycle through all eight colors takes approximately one minute. Rotate the outer ring to select this mode and press "OK" to activate it. Press "OK" while the chromatherapy mode is active, to turn off the lights.
- **Chromatherapy Specific Color Selection:** When this mode is activated, you may choose a specific color for the bath. Rotate the outer ring to select this mode, press "OK" to activate and use the up/down arrows to reach the desired color. Press "OK" while the chromatherapy mode is active, to turn off the lights.

16. Remote Control Operation

NOTE: Refer to your Homeowners Guide for detailed instructions on your remote control.

- The remote control places the whirlpool functions at your fingertips. You may access and modify all modes/features from the remote control. The waterproof remote control is designed to be used in the bath and will float in the water. The remote control uses two AAA batteries.
- The mode selector button functions in the same way as the outer ring. When "M" is pressed, one of the modes will flash on the user keypad. If "M" is pressed again, the next mode in clockwise order will flash. When the desired mode is flashing, press "OK" to activate it.
- When the Flexjets, Waterfall, Whitewater or Rapids mode is active, the arrows will increase or decrease the water flow volume.

17. Troubleshooting Procedures

This troubleshooting guide is for general aid only. A Kohler Authorized Service Representative or qualified electrician should correct all electrical problems. For warranty service, contact your dealer or wholesale distributor.

Troubleshooting the Whirlpool System

Troubleshooting Procedures (cont.)

Symptoms	Probable Causes	Recommended Action
1. User keypad does not illuminate when power button is pressed or outer ring is rotated.	<p>A. No power to control.</p> <p>B. GFCI or ELCB tripped.</p> <p>C. Wiring harness from user keypad to control is loose, disconnected or damaged.</p> <p>D. User keypad does not work.</p> <p>E. Control does not work.</p>	<p>A. Check wiring and connect power.</p> <p>B. Reset GFCI or ELCB.</p> <p>C. Check wiring for proper connections. Replace wiring harness if necessary.</p> <p>D. Replace user keypad.</p> <p>E. Replace control.</p>
2. Motor starts, but all jets are not functioning.	<p>A. Jet is closed.</p> <p>B. Jet not installed correctly.</p> <p>C. Jets are blocked.</p>	<p>A. Rotate jet trim counterclockwise to open.</p> <p>B. Reinstall jet; check for O-ring damage.</p> <p>C. Remove blockage.</p>
3. User keypad is illuminated, but does not respond to buttons or outer ring.	<p>A. Control program is locked.</p> <p>B. Wiring harness from user keypad to control is loose, disconnected or damaged.</p> <p>C. User keypad does not work.</p> <p>D. Control does not work.</p>	<p>A. Reset GFCI or ELCB.</p> <p>B. Check wiring for proper connections. Replace wiring harness if necessary.</p> <p>C. Replace user keypad.</p> <p>D. Replace control.</p>
4. User keypad indicator bar keeps scanning at power-up.	<p>A. Control program is locked.</p> <p>B. Wiring harness from user keypad to control is loose, disconnected or damaged.</p> <p>C. User keypad does not work.</p> <p>D. Control does not work.</p>	<p>A. Reset GFCI or ELCB.</p> <p>B. Check wiring for proper connections. Replace wiring harness if necessary.</p> <p>C. Replace user keypad.</p> <p>D. Replace control.</p>
5. User keypad is illuminated, but pump won't start.	<p>A. Power cord from pump to control is loose, disconnected or damaged.</p> <p>B. Pump does not work.</p> <p>C. Control does not work.</p>	<p>A. Check wiring for proper connections.</p> <p>B. Replace pump.</p> <p>C. Replace control.</p>
6. Motor runs but pump won't prime (cavitates).	<p>A. Pump is shimmed too high.</p> <p>B. Small air leak at pump inlet.</p> <p>C. Motor/pump does not work.</p> <p>D. Control does not work.</p>	<p>A. Lower pump/control to subfloor level.</p> <p>B. Securely tighten nut(s) on intake side of pump.</p> <p>C. Replace motor/pump.</p> <p>D. Replace control.</p>
7. Little or poor water flow from dual fill ports.	<p>A. Water supply lines blocked.</p> <p>B. Transfer valve not fully open.</p>	<p>A. Remove blockage.</p> <p>B. Rotate transfer valve handle.</p>
8. Little or poor water flow from Waterfall.	<p>A. Suction or harness blocked.</p> <p>B. Pump does not work.</p> <p>C. Control does not work.</p>	<p>A. Remove blockage.</p> <p>B. Replace pump.</p> <p>C. Replace control.</p>
9. Riverjets run, but Whitewater/Rapids jets do not operate as described.	<p>A. Insufficient water in whirlpool basin.</p>	<p>A. Fill whirlpool so water covers water-level sensors.</p>

Troubleshooting Procedures (cont.)

Symptoms	Probable Causes	Recommended Action
	<ul style="list-style-type: none"> B. User keypad does not work. C. Butterfly valve does not work. D. Control does not work. 	<ul style="list-style-type: none"> B. Replace user keypad. C. Check wiring. Replace butterfly valve. D. Replace control.
10. Up/down volume control arrows do not change water flow as described.	<ul style="list-style-type: none"> A. User keypad does not work. B. Pump does not work. C. Control does not work. 	<ul style="list-style-type: none"> A. Check wiring. Replace user keypad. B. Check wiring. Replace pump. C. Check wiring. Replace control.
11. Air flow through jets does not stop when Tidepool mode is activated.	<ul style="list-style-type: none"> A. User keypad does not work. B. Butterfly valve does not work. C. Control does not work. 	<ul style="list-style-type: none"> A. Replace user keypad. B. Check wiring. Replace butterfly valve. C. Check wiring. Replace control.
12. Air continues to flow through one or more jets for several seconds after Tidepool mode is activated.	<ul style="list-style-type: none"> A. Normal operation - air will stop flowing in a short time. 	<ul style="list-style-type: none"> A. No action required.
13. Pump stops before 18 minutes.	<ul style="list-style-type: none"> A. GFCI or ELCB tripped. B. Suction is blocked. C. Jets are blocked. D. Motor overheated and protection device activated. 	<ul style="list-style-type: none"> A. Identify source of fault, and correct. Reset GFCI or ELCB. B. Remove obstruction. C. Remove blockage. D. Check for blockage at suction and/or jets. Remove blockage and allow motor to cool.
14. Pump does not automatically stop after 22 minutes.	<ul style="list-style-type: none"> A. 20-minute timer inadvertently disabled. 	<ul style="list-style-type: none"> A. See service manual.
15. Pump won't turn off when the power button on user keypad is pressed.	<ul style="list-style-type: none"> A. User keypad does not work. B. Control does not work. 	<ul style="list-style-type: none"> A. Replace user keypad. B. Replace control.
16. Pump operates but variable speed feature does not work.	<ul style="list-style-type: none"> A. Motor/pump does not work. B. Control does not work. 	<ul style="list-style-type: none"> A. Replace motor/pump. B. Replace control.
17. Bath water cools while pump is operating.	<ul style="list-style-type: none"> A. Water temperature above 104°F (40°C). B. Heater is turned off on user keypad. C. Wiring from heater to control is loose, disconnected or damaged. D. Heater does not work. E. Control does not work. 	<ul style="list-style-type: none"> A. Allow bath water to cool. B. Turn heater on. C. Check wiring for proper connections. D. Replace heater. E. Replace control.
18. Noisy operation.	<ul style="list-style-type: none"> A. Pump banding straps have not been cut. B. Dry or dislodged jet O-ring (squeal). 	<ul style="list-style-type: none"> A. Cut pump banding straps with tin snips. B. Remove jet, replace and lubricate O-ring, and reinstall jet.
19. Remote control (if equipped) does not work.	<ul style="list-style-type: none"> A. Batteries improperly installed or dead. B. Antenna on wiring harness is damaged. 	<ul style="list-style-type: none"> A. Replace batteries. B. Replace wiring harness.

Troubleshooting Procedures (cont.)

Symptoms	Probable Causes	Recommended Action
	<ul style="list-style-type: none">C. Remote control not programmed correctly.D. Remote control does not work.E. Control does not work.	<ul style="list-style-type: none">C. See homeowners guide or service manual.D. Replace remote control.E. Replace control.

Troubleshooting the Chromotherapy Lights - H2 Models Only

Symptoms	Probable Causes	Recommended Action
20. Chromotherapy lights do not work.	<ul style="list-style-type: none">A. Loose, disconnected or damaged wiring/connections.B. Control does not work.	<ul style="list-style-type: none">A. Check wiring for proper connections. Replace wiring if necessary.B. Replace control.

Guide d'installation

Baignoire à hydromassage ronde

Renseignements importants



AVERTISSEMENT : Lors de l'utilisation des produits électriques, des précautions de base devraient toujours être observées, incluant ce qui suit:



DANGER : Risque d'électrocution. Raccorder uniquement à des circuits protégés par un Disjoncteur de Fuite de Terre (GFCI) ou à un Disjoncteur de Mise à la Terre (ELCB).



AVERTISSEMENT : Risque d'électrocution. Tous les raccords électriques devraient être réalisés par un électricien agréé.



AVERTISSEMENT : Risque d'électrocution. Débrancher l'alimentation avant de procéder à l'entretien.



AVERTISSEMENT : Risque de blessures ou d'endommagement du matériel. Veuillez s'il vous plaît lire avec attention toutes les instructions avant de commencer l'installation, y compris les conditions suivantes:

Les matériaux de construction et le câblage devraient être posés loin des corps de la pompe et des autres composants émettant de la chaleur de l'unité.

Installer de façon à permettre l'accès pour l'entretien.

Des connecteurs à pression marqués "Terre/Masse" sont fournis dans les compartiments du câblage. Afin de réduire les risques de choc électrique, raccorder les connecteurs aux bornes de terre du panneau de service électrique avec un câble en cuivre ayant la même dimension que le fil conducteur qui alimente cet équipement.

Des connecteurs à pression par câble sont fournis à l'extérieur des boîtes de jonction de la pompe ou des contrôles de cet appareil afin de permettre la connexion entre l'appareil et toutes autres surfaces de métal avoisinantes, tel que requis par les normes locales.

Une mise à la terre est requise. L'appareil doit être installé et mis à la terre par un représentant qualifié.

AVIS : Respecter tous les codes de plomberie et électriques locaux.

Informations sur le produit

Branchement électrique requis

L'installation doit comprendre deux disjoncteurs coupe-circuits (GFCI) ou coupe-circuits de fuite à la terre (ELCB). Les disjoncteurs GFCI ou le ELCB protègent contre un risque d'électrocution. **Utiliser deux alimentations dédiées de 220-240 V, 20 A, 50/60 Hz; une pour chaque système de pompe/contrôle/chauffeau.**

Directives d'utilisation du produit



AVERTISSEMENT : Des modifications non approuvées pourraient provoquer un fonctionnement dangereux ou un mauvais fonctionnement de la baignoire à hydromassage. Ne pas déplacer la pompe d'hydromassage ou effectuer d'autres modifications au système d'hydromassage car cela pourrait affecter les performances et la sécurité de la baignoire à hydromassage. Kohler Co. décline toute responsabilité sous ses garanties quant à toutes blessures ou dommages causés par des modifications non autorisées.

Informations sur le produit (cont.)

Caractéristiques

Les composants incluent deux pompes, deux contrôles, un chauffe-eau, cascade, rivets, lumières chromothérapie (modèle H2 uniquement), valve de remplissage intégrée (K-1397 uniquement), et un clavier d'utilisateur lumineux avec la télécommande.

Raccordement et Accès pour l'Entretien

S'assurer d'avoir suffisamment d'accès pour les connexions finales avant l'installation.

AVIS : Fournir un large accès non restreint de service à la pompe. Il faut prévoir un panneau d'accès d'au moins 48" (122 cm) de largeur x 15" (38,1 cm) de hauteur afin de laisser un écart suffisant pour l'entretien des pompes et des contrôles. La panneau d'accès doit être placé tout près des pompes. Étudier le plan de raccordement qui accompagne la baignoire à hydromassage.

Sommaire

Renseignements importants	1
Informations sur le produit	1
Branchement électrique requis	1
Directives d'utilisation du produit	1
Caractéristiques	2
Raccordement et Accès pour l'Entretien	2
Avant de commencer	3
Outils et matériels	3
Préparer le site	4
Préparer la baignoire à hydromassage	4
Sécuriser la baignoire à hydromassage au plancher	5
Sectionner les sangles de retenue de la pompe	6
Installer la plomberie	6
Faire les connexions électriques	7
Installer le kit de garniture de la baignoire à hydromassage	9
Tester la baignoire à hydromassage	9
Compléter le mur/comptoir fini	11
Compléter l'installation en béton	11
Nettoyage après installation	11
Installer les coussins amovibles	12
Confirmer le bon fonctionnement	13
Séquence d'opération	14
Opération chromothérapie	15
Opération de la télécommande	15
Procédures de dépannage	15

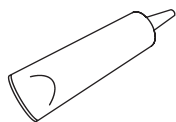
Avant de commencer



ATTENTION : Risque d'endommagement du produit. Ne pas soulever la baignoire à hydromassage par la tuyauterie ou par la pompe ou utiliser la tuyauterie ou la pompe pour supporter la baignoire à hydromassage.

- Nous recommandons cette baignoire à hydromassage pour une installation encastrée ou de niveau.
- Avant l'installation, examiner la baignoire à hydromassage pour déceler tout dommage.
- Cette baignoire à hydromassage doit être installée sur un sol nivelé adéquat.
- Le modèles K-1397 est pourvu d'un système de remplissage intégré faisant appel à deux orifices de remplissage de chaque côté de la cascade et à une robinetterie préinstallée.
- Le modèles K-1399 vous permet d'utiliser la robinetterie de remplissage de votre choix - vous pouvez utiliser les deux orifices de remplissage préinstallés ou un bec de remplissage séparé si vous préférez. Confirmer le bon support pour le robinet sur rebord; les gros robinets ayant été utilisés par inadvertance comme moyen de support ne sont pas appropriés ou sans danger pour cette installation.
- Consulter les codes locaux et nationaux.
- Kohler Co. se réserve le droit d'apporter toutes modifications sur le design des produits et ceci sans préavis, tel que spécifié dans le catalogue des prix.

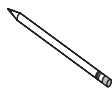
Outils et matériels



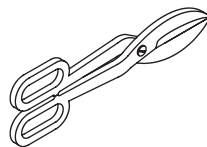
Mastic silicone



Mètre Ruban



Crayon à Papier



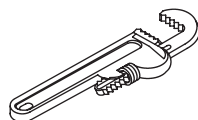
Cisaille de ferblantier



Niveau à Bulles



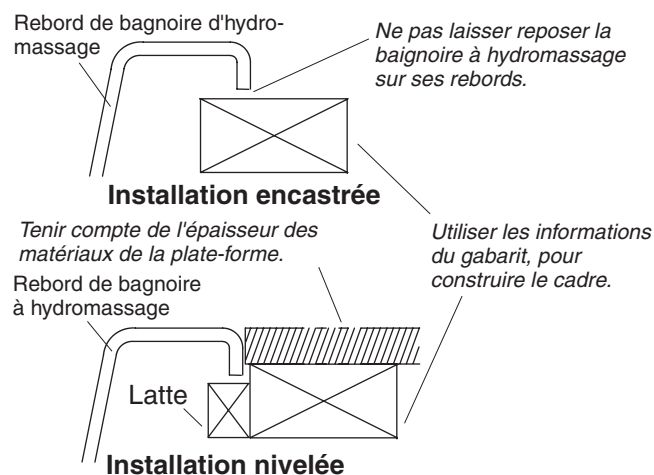
Lunettes de Protection



Clé à griffes

Plus:

- Outils et matériaux habituels du travail du bois
- Tissu protecteur
- Ciment, mortier ou adhésif de construction
- 2 x 4's



1. Préparer le site



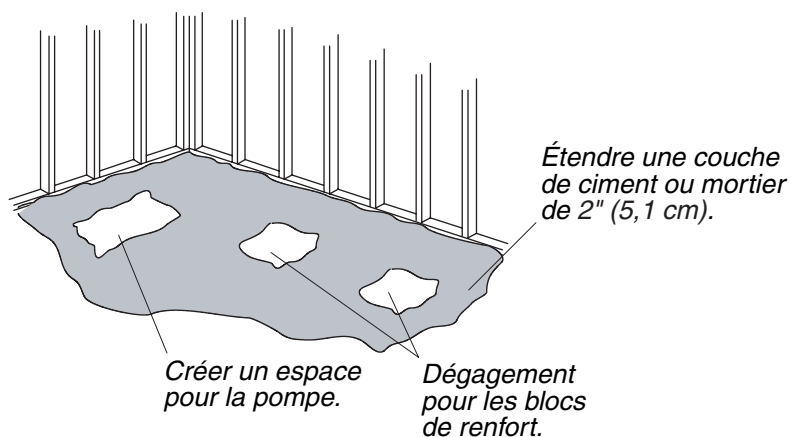
ATTENTION : Risque d'endommagement du produit. Ne pas soulever la baignoire à hydromassage par le rebord.

AVIS : Un support adéquat doit être fourni. Consulter le guide du raccordement emballé avec la baignoire à hydromassage pour les spécifications de préparation du sol.

- S'assurer que le sol constitue un support adéquat pour la baignoire à hydromassage et que le plancher soit plat et nivelé.
- La baignoire à hydromassage devrait être encastrée ou de niveau. Construire un cadrage de montage de 2x4 ou un support en ciment ou brique conçu pour l'installation particulière. Cadrer le sol, ou construire un cadre ou support pour une installation surélevée en accordance avec le plan de raccordement fourni avec la baignoire à hydromassage.
- À l'aide du plan emballé avec la baignoire à hydromassage, tracer et découper le matériau du plan. Pour les installations de niveau, prévoir suffisamment d'épaisseur pour le matériau du comptoir.
- Déterminer l'emplacement de la plomberie selon le plan de raccordement fourni. Boucher les alimentations et vérifier s'il y a des fuites.

2. Préparer la baignoire à hydromassage

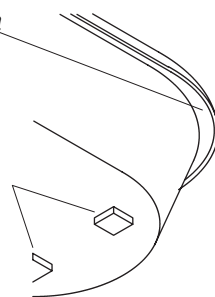
- Installer le drain à la baignoire à hydromassage selon les instructions du fabricant. Ne pas connecter le siphon à ce moment.
- Placer un chiffon propre ou matière similaire à la base de la baignoire à hydromassage. S'assurer de ne pas rayer la surface de la baignoire à hydromassage.



Appliquer un cordon de mastic à la silicone tout autour du rebord

ou

Appliquer un adhésif de construction sur les blocs de soutien.



3. Sécuriser la baignoire à hydromassage au plancher



ATTENTION : Risque d'endommagement du produit. Ne pas soulever pas la baignoire par la tuyauterie ou par les pompes, ni utiliser la tuyauterie ou les pompes pour le support structurel de la baignoire à hydromassage.

- Choisir l'option d'installation qui s'applique le mieux à votre installation. Suivre les instructions correspondantes.
- Si le plancher n'est pas nivelé, placer des blocs de renfort sous la baignoire à hydromassage, si nécessaire.

Option pour l'utilisation de ciment ou de mortier

- Étaler une couche de ciment ou de mortier de 2" (5 cm) d'épaisseur sur le plancher à l'endroit d'installation de la baignoire. Ceci aidera à sécuriser, niveler et supporter l'unité. Nettoyer tout matériau se trouvant aux emplacements des contrôles de la pompe et du bloc de support.

REMARQUE : Ne pas utiliser de plâtre ou un mélange pour cloison sèche pour cette installation, car ces produits ne fourniront pas un scellement acceptable, et durable.

REMARQUE : La base de la pompe (une fois les sangles de retenue coupées) et les blocs de support doivent être appuyés directement sur le sol.

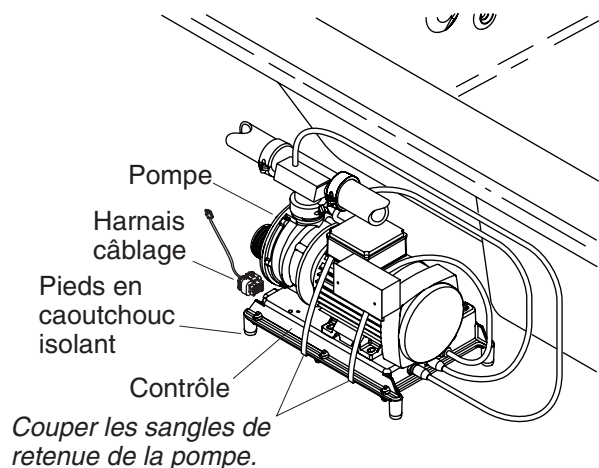
- Positionner une bâche en plastique sur le lit de ciment ou de mortier. Avec de l'aide, soulever et placer soigneusement la baignoire à hydromassage en place et s'assurer que le contrôle de la pompe et les blocs de support ne reposent pas dans le matériau de l'embase.
- Insérer la pièce de raccordement du drain dans le siphon. S'assurer que la baignoire à hydromassage soit nivelée et qu'elle repose sur tous les blocs de renfort.

Option pour l'utilisation d'un adhésif de construction

- Appliquer un adhésif de construction de haute qualité à la base des blocs de renfort. Avec de l'assistance, soulever et mettre la baignoire à hydromassage en place avec précaution.
- Insérer la pièce de raccordement du drain dans le siphon. S'assurer que la baignoire à hydromassage soit nivelée et qu'elle repose sur tous les blocs de renfort.

Option d'utilisation d'un joint en silicone

- Avec de l'assistance, soulever et mettre la baignoire à hydromassage en place avec précaution.
- Insérer la pièce de raccordement du drain dans le siphon. S'assurer que la baignoire à hydromassage soit nivelée et qu'elle repose sur tous les blocs de renfort.
- Appliquer du mastic à la silicone de bonne qualité tout autour du rebord de la baignoire à hydromassage.



4. Sectionner les sangles de retenue de la pompe

IMPORTANT ! Cette étape est nécessaire pour que votre baignoire à hydromassage Kohler fonctionne plus silencieusement.

- Utiliser des cisailles de ferblantier pour couper les deux sangles de retenue de chaque pompe de la baignoire à hydromassage.

REMARQUE : Ne pas soulever les pompes à un niveau supérieur au niveau d'avant avoir coupé les sangles de retenue. Si la pompe est trop élevée, elle ne s'amorcera pas correctement. S'assurer que les pieds d'isolation en caoutchouc soient en place.

- Pour réduire les bruits et vibrations de la baignoire à hydromassage, s'assurer que les pompes ne soient pas directement en contact avec la baignoire à hydromassage après que les sangles aient été sectionnées. Les contrôles de la pompe contiennent des pieds en caoutchouc isolant pour réduire le bruit.

5. Installer la plomberie

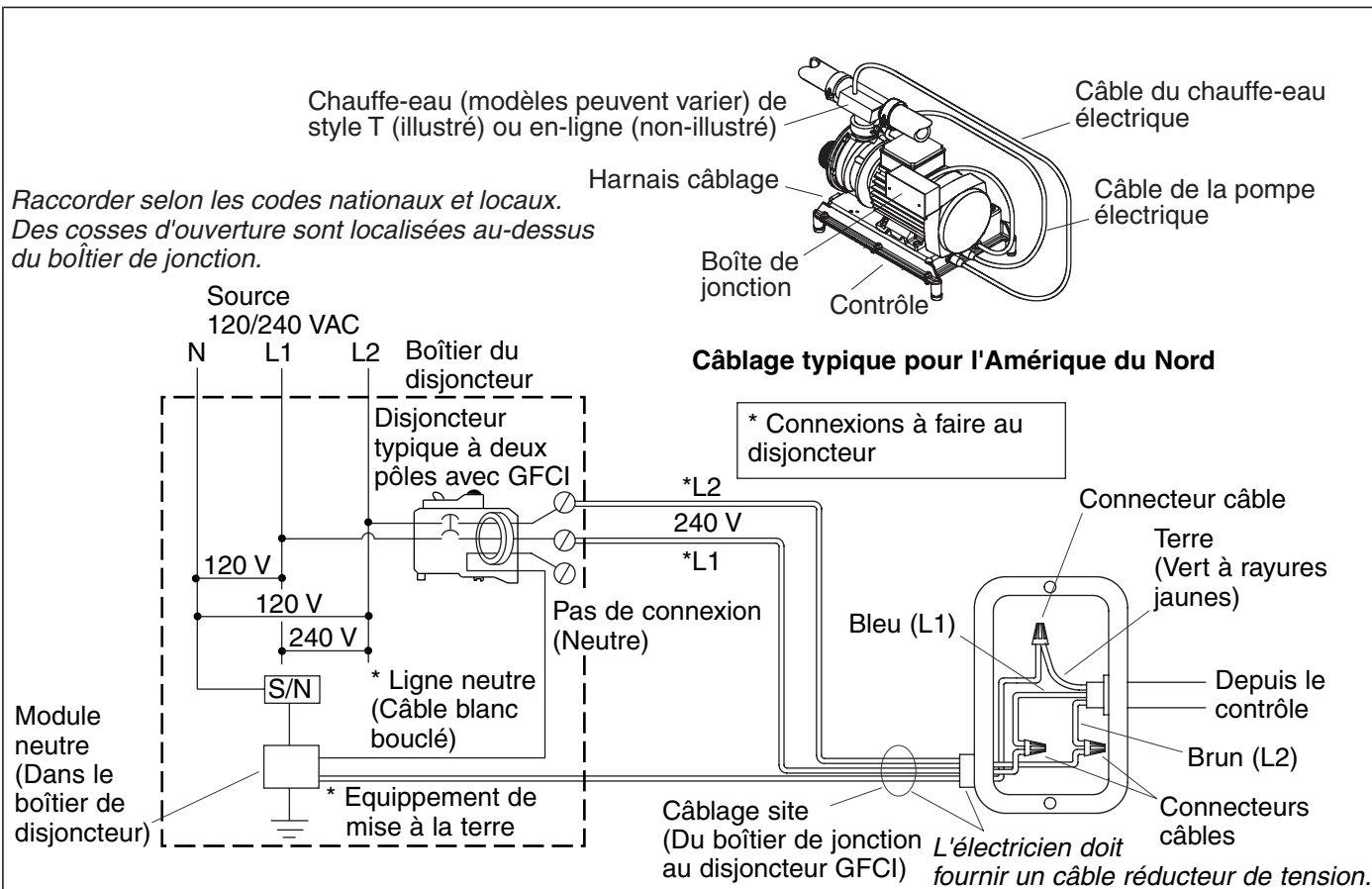


ATTENTION : Risque d'endommagement du matériel. Assurer un joint étanche sur le drain de la baignoire à hydromassage.

- Connecter le drain au siphon selon les instructions du fabricant.

AVIS : Un panneau d'accès facilitera une maintenance future.

- **K-1397 uniquement:** Brancher les conduites d'arrivée d'eau aux soupapes de remplissage intégrées, conformément aux codes locaux. Un orifice additionnel a été préalablement percé dans la baignoire pour la douchette. Installer la douchette à ce stade. Raccorder l'extrémité du flexible de douchette à main à l'orifice ouvert de robinet coupleur (sous le rebord de la baignoire). S'assurer que la tige de la valve transfert pivote complètement vers la droite. La valve transfert comprend un reniflard intégré qui protège les becs de remplissage et la douchette contre le retour d'eau.
- **K-1399 uniquement:** Installer les valves du robinet conformément aux instructions du fabricant. Connecter le système de valve aux ports de remplissage de la baignoire à hydromassage (becs) selon les codes locaux.
- **Tous les modèles :** Ne pas installer la garniture du robinet avant l'instruction de le faire. Ouvrir les alimentations d'eau chaude et froide et vérifier qu'il n'y ait pas de fuites.
- Laisser couler l'eau dans la baignoire à hydromassage et vérifier s'il y a des fuites dans les connexions du drain.
- Tourner la tige du robinet coupleur et vérifier si les raccords de la douchette présentent des fuites.



6. Faire les connexions électriques

REMARQUE : Le numéro de modèle du produit est imprimé sur une étiquette placée du côté de la pompe de la baignoire à déversement. Cette étiquette identifie le calibrage électrique de la baignoire à hydromassage. **Ces les baignoires à hydromassage sont équipées de deux boîtes de jonction et sont conçues pour opérer entre 208 VAC et 240 VAC soit à 50 HZ ou 60 Hz.**



AVERTISSEMENT : Risque d'électrocution. S'assurer que l'alimentation ait été débranchée avant d'effectuer les procédures suivantes. Se référer à la section "Information Importante."



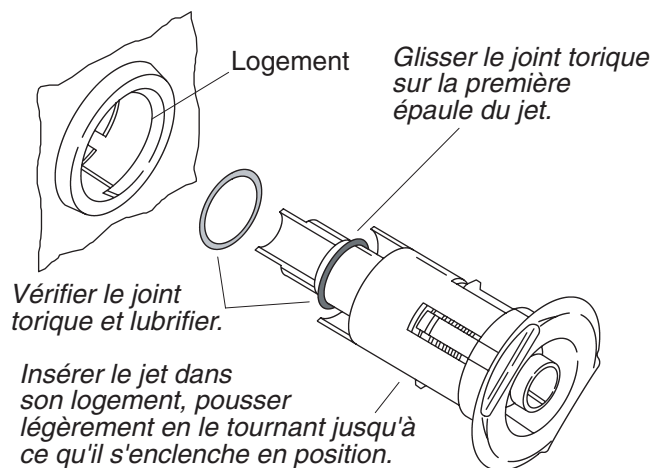
AVERTISSEMENT : Risque d'électrocution. Pour réduire les risques d'électrocution, connecter proprement la pompe à un disjoncteur coupe-circuit (GFCI) ou à un coupe-circuit de fuite à la terre (ELCB). Le chauffe-eau devra aussi être connecté proprement à un disjoncteur coupe-circuit (GFCI) ou à un coupe-circuit de fuite à la terre (ELCB). Ceci fournira une mesure de protection additionnelle contre le risque d'électrocution. Deux circuits dédiés de 208V/240V, 20A, 50/60Hz. sont nécessaires.

IMPORTANT ! Le neutre n'est pas utilisé. Il ne devrait pas y avoir de connexion au neutre du disjoncteur coupe-circuit (GFCI). Le câble vert à rayures jaunes est le **conducteur de terre** et doit être connecté au neutre de la boîte du disjoncteur.

- Le contrôle et le chauffe-eau ont été pré-câblés en usine. Un électricien agréé devrait faire les connexions de service ordinaire à chaque boîte de jonction.
- Connecter le service aux boîtiers de jonction. Les boîtes de jonction contiennent des câbles bleus, marrons et verts à rayures jaunes.
- Suivre tous les codes électriques locaux. Raccorder selon les codes nationaux et locaux.
- Un harnais a été pré-câblé en usine, permettant la communication entre le clavier, toutes les caractéristiques, et le contrôle. Aucun câblage supplémentaire n'est nécessaire, mais s'assurer que tous les câbles soient bien sécurisés.

Faire les connexions électriques (cont.)

REMARQUE : Votre harnais de câblage comprend une antenne pour la télécommande optionnelle. Ne pas modifier ni endommager cette antenne pendant l'installation.



7. Installer le kit de garniture de la baignoire à hydromassage

- Installer le kit de garniture de la baignoire à hydromassage (si non installé en usine) selon les instructions emballées avec le kit. Observer avec attention les directives d'installation du jet ci-dessous - elles sont très importantes et sont incluses pour aider à réaliser une opération sans problème.

REMARQUE : Le joint torique doit être positionné correctement, il doit être en bon état et lubrifié adéquatement afin d'assurer la rotation et le bon fonctionnement du jet.

- Installer le joint torique sur le **premier rebord** du jet. Lubrifier le joint torique avec de la silicone de lubrification afin d'éviter le fonctionnement bruyant du jet.
- Insérer délicatement le jet dans le logement, puis pousser et pivoter légèrement jusqu'à ce qu'il s'enclenche en place. **Ne pas forcer le jet.**

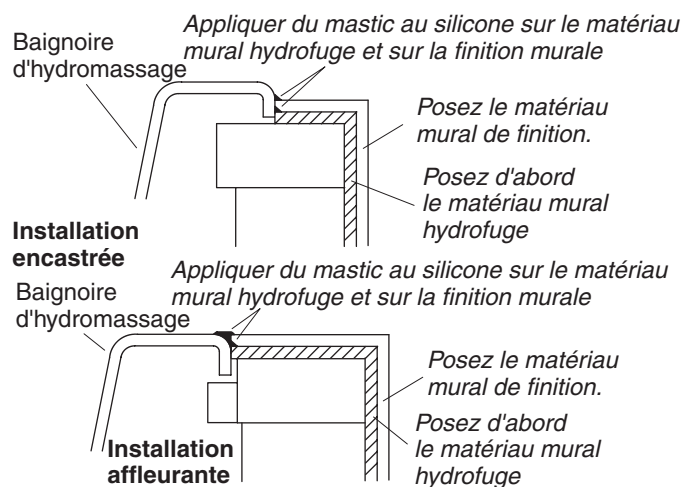
REMARQUE : Lorsqu'il est bien installé, le jet devrait pivoter aisément dans les deux sens.

8. Tester la baignoire à hydromassage

- Vérifier toutes les connexions électriques puis s'assurer que tous les raccords d'union aux pompes et chauffeaux soient serrés à la main.
- S'assurer également que les sangles de retenue des pompes aient été sectionnées et que les contrôles de la pompe reposent directement sur le plancher. S'assurer que les pieds d'isolation en caoutchouc soient en place.
- Alimenter la baignoire à hydromassage.
- Remplir la baignoire à hydromassage au-dessus des capteurs de niveau d'eau aux côtés des Riverjets (jets de style rivière).
- Opérer la baignoire à hydromassage pendant 5 minutes (se référer à la section "Séquence d'opération").
- Vérifier qu'il n'y ait pas de fuites des connexions de la tuyauterie à l'arrière de la baignoire à hydromassage.
- Activer chaque option de la baignoire à hydromassage et vérifier son bon fonctionnement. Vérifier s'il y a des fuites sur le côté arrière de la baignoire à hydromassage.
- Si équipé, allumer le cycle de chromothérapie et lui permettre de passer leur cycle des huit couleurs; blanc, violet, bleu indigo, aigue-marine, vert, jaune, orange et rouge. Le cycle des huit couleurs dure à peu près 1 minute.
- Vérifier les fonctions en utilisant la télécommande. Se référer à la section "Opération de la télécommande".

Tester la baignoire à hydromassage (cont.)

REMARQUE : Pour plus d'information concernant le fonctionnement de la baignoire à hydromassage, consulter la section "Confirmer le bon fonctionnement" de ce guide.



9. Compléter le mur/comptoir fini

- Retirer soigneusement la pellicule de protection recouvrant la surface de la baignoire à hydromassage si cela n'a pas déjà été fait.
- Recouvrir le cadrage avec du matériau hydrorésistant. Fixer les joints entre le rebord de la baignoire à hydromassage et le matériau hydrorésistant du mur à l'aide de mastic à la silicone.
- Poser et appliquer le matériau hydrorésistant du mur. Installer le mur fini sur le matériau hydrorésistant du mur à 1/16" (2 mm) au-dessus de la surface émaillée. Sceller les joints d'étanchéité entre le bord de la baignoire à hydromassage et le matériau du mur fini avec du mastic à la silicone.
- Installer la garniture du robinet suivant les instructions emballées avec celle-ci.

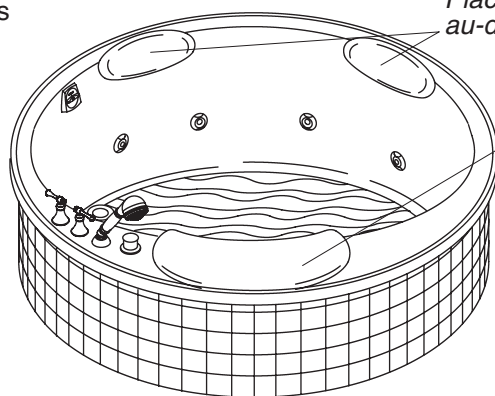
10. Compléter l'installation en béton

- Retirer soigneusement la pellicule de protection recouvrant la surface de la baignoire à hydromassage si cela n'a pas déjà été fait.
- Appliquer du mortier et poser les carreaux sur le mur, le comptoir et le matériau avoisinant selon le besoin.
- Appliquer un lit d'étanchéité à l'endroit où les carreaux rencontrent le rebord de la baignoire à hydromassage.
- Installer la garniture du robinet suivant les instructions emballées avec celle-ci.

11. Nettoyage après installation

- Lors du nettoyage après l'installation, **ne pas utiliser de nettoyeur abrasif**, car il pourrait rayer et abîmer la surface de la baignoire à hydromassage. Si nécessaire, nettoyer la surface de la baignoire à hydromassage avec un savon doux et de l'eau tiède ainsi que le clavier de l'utilisateur et la télécommande.
- Retirer les taches résistantes, peinture, ou goudron avec de l'essence de térébenthine ou un diluant pour peinture. **Ne pas laisser de produits à base de pétrole en contact avec les surfaces de la baignoire à hydromassage pendant une longue période.** Retirer les résidus de plâtre en raclant au moyen d'un bord en bois. Ne pas utiliser de grattoirs en métal, une brosse en fer ou d'autres outils en métal. Utiliser des nettoyeurs en poudre sur un chiffon humide pour une action abrasive douce sur les résidus de plâtre.

Trois coussins sont représentés
- quatre coussins sont inclus



Placer les petits coussins à l'endroit souhaité au-dessus de la ligne de niveau d'eau.

Positionner le grand coussin sur le rebord de la baignoire, et appuyer fermement avec la paume de la main.

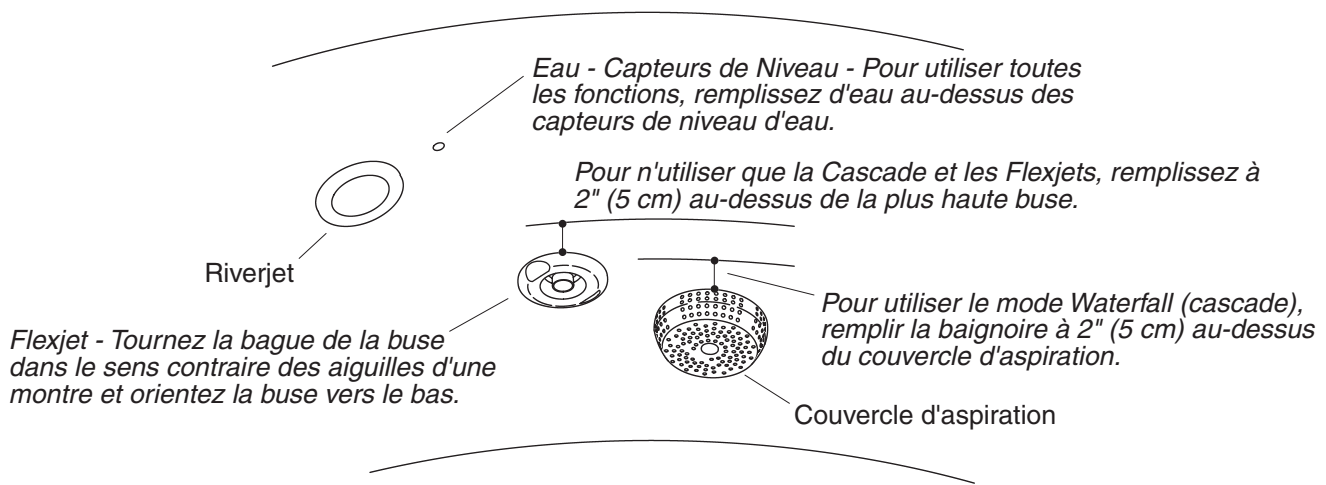
12. Installer les coussins amovibles



ATTENTION : Risque d'endommagement du produit. Ne pas submerger les coussins dans l'eau ou les utiliser comme sièges.

REMARQUE : Pour une meilleure fixation à la surface de la baignoire à hydromassage, humecter la surface arrière des coussins aux emplacements des ventouses.

- Éliminer toute trace de savon ou d'huile de la surface de la baignoire à hydromassage. Des ventouses sont localisées au dos des coussins. Positionner le grand coussin à l'endroit souhaité sur le rebord de la baignoire à hydromassage, et appuyer fermement au niveau des ventouses avec la paume de la main. Placer les petits coussins à la place désirée sous la ligne d'eau en appuyant encore fermement. Vérifier que les coussins soient fermement attachés à la baignoire à hydromassage.
- Soulever les coussins pour les détacher de la surface de la baignoire à hydromassage.



13. Confirmer le bon fonctionnement

Remplir la baignoire à hydromassage

REMARQUE : Veuillez lire avec attention ces étapes avant d'opérer la baignoire à hydromassage.

- Tourner les bagues de garniture du jet complètement vers la gauche. Orienter les jets vers le fond du bassin.

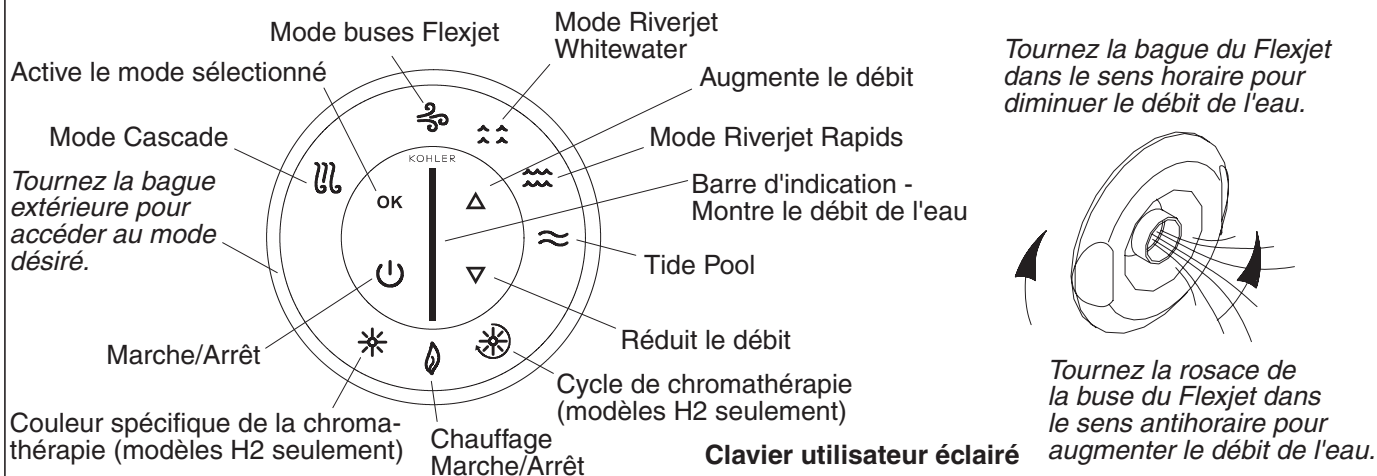
REMARQUE : Pour une utilisation en mode Cascade uniquement (sans Flexjet ou Jet de Style Rivière), le bassin de la baignoire à hydromassage ne doit être rempli qu'à 2" (5 cm) au-dessus des bouches d'aspiration.

REMARQUE : Pour une utilisation en mode Cascade ou Flexjet (pas Jet de Style Rivière), le bassin de la baignoire à hydromassage ne doit être rempli qu'à 2" (5 cm) au-dessus du Flexjet le plus élevé.

- **Pour opérer toutes les fonctions:** Remplir la baignoire à hydromassage au-dessus des capteurs de niveau d'eau aux côtés des jets de style Rivière.

REMARQUE : Les jets de Style Rivière ne fonctionneront que si les deux capteurs de niveau d'eau sont complètement immergés. Si le niveau d'eau descend sous les capteurs, les jets de style Rivière s'arrêtent immédiatement et les Flexjet s'activeront. Le mode Jet de Style Rivière et le mode Flexjet ne fonctionneront pas en même temps.

REMARQUE : La température de la baignoire à hydromassage ne devrait pas excéder 104°F (40° C). Le chauffe-eau s'arrêtera automatiquement si la température dépasse 104°F (40C) et restera arrêté jusqu'à ce que l'eau refroidisse.



14. Séquence d'opération

REMARQUE : Un chauffeau intégré aide automatiquement à maintenir la température de l'eau constante quand la baignoire à hydromassage est en route, et tant que la température de l'eau ne dépasse 104°F (40°C). Le chauffeau s'arrêtera aux températures plus hautes.

IMPORTANT ! Veuillez s'il vous plaît vous référer au guide du propriétaire pour de plus amples informations concernant l'utilisation du clavier et la télécommande.

REMARQUE : Votre RiverBath utilise deux pompes. Une pompe alimente la Cascade, et une deuxième pompe achemine l'eau par les Buses Flexjets et les Jets de style Rivière.

- **Pour mettre la baignoire à jets d'air en marche :** Appuyer sur le bouton Marche/Arrêt ou tourner la bague extérieure pour accéder au mode désiré, comme décrit ci-dessus.
- **Pour accéder au mode désiré :** Tourner la bague extérieure jusqu'à ce que l'icône bleue clignote. Appuyer sur "OK" pour activer le mode désiré. Le mode sélectionné clignotera en vert. Pour arrêter un mode, tourner la bague extérieure jusqu'à ce que le voyant bleu clignote et appuyer sur "OK" de nouveau. Vérifier chaque option ci-dessous.
- **Cascade :** Lorsqu'elle est activée, la Cascade commencera à couler à un débit moyen en quelques secondes. Le mode Cascade n'est pas chauffé. Augmenter ou diminuer le débit de l'eau en pressant sur les flèches haut et bas du clavier. Une barre d'indication située au centre du clavier indique le volume du débit d'eau. Le mode Cascade peut être utilisé seul, ou en combinaison avec: Flexjets, Eau vive ou Rapides.
- **Flexjets:** Lorsqu'ils sont activés, les jets Flexjets, localisés sous les Jets de Style Rivière de la baignoire à jets d'air, commenceront immédiatement à un débit moyen. Augmenter ou diminuer le débit de l'eau en pressant sur les flèches haut et bas du clavier. Une barre d'indication située au centre du clavier indique le volume du débit d'eau.
- **Eau Vive:** Le mode Eau Vive actionne les deux Jets de Style Rivière localisés derrière votre cou à débit moyen. Augmenter ou diminuer le débit de l'eau en pressant sur les flèches haut et bas du clavier. Une barre d'indication située au centre du clavier indique le volume du débit d'eau.
- **Rapides:** Le mode Rapides actionne tous les quatre Jets de Style Rivière situés derrière le cou à débit moyen. Augmenter ou diminuer le débit de l'eau en pressant sur les flèches haut et bas du clavier. Une barre d'indication située au centre du clavier indique le volume du débit d'eau.
- **Baignoire à Vagues:** Cette option coupe l'arrivée d'air au jets pour un effet relaxant. Le mode Vague peut être utilisé à tout moment quand les jets sont en marche. Le mode Vague n'affecte pas le mode Cascade.

REMARQUE : De l'air pourrait émaner d'un ou plusieurs jets pendant un court instant après que l'option Tidepool (vague) ait été activée.

Séquence d'opération (cont.)

- **Chauffe-eau:** Un chauffage encastré aide automatiquement à maintenir la température de l'eau constante quand la baignoire à jets d'air fonctionne, et tant que la température de l'eau ne dépasse 104° F (40° C). Le chauffe-eau peut être arrêté à tout moment quand la pompe est activée, en tournant la bague extérieure jusqu'à ce que le voyant clignote et en appuyant sur "OK". Appuyer sur "OK" encore une fois pour remettre le chauffe-eau en route.
- Votre baignoire à jets d'air rajoute de l'air dans le courant d'eau (quand le mode Vague est arrêté) pour augmenter la force du débit de l'eau. Diminuer la force de l'eau de votre baignoire à jets d'air en tournant les bagues des jets dans le sens des aiguilles d'une montre jusqu'à l'obtention de la puissance désirée. Tourner les anneaux Flexjet dans le sens contraire des aiguilles d'une montre pour augmenter la puissance de l'eau.
- Presser le Bouton On/Off pour activer la baignoire à jets d'air.

REMARQUE : Une minuterie intégrée arrête automatiquement la pompe et le moteur après environ 20 minutes d'opération.

15. Opération chromathérapie

Équipés sur les modèles H2 uniquement

REMARQUE : La chromathérapie peut être utilisée avec tous les modes d'opération. La Chromathérapie peut être utilisée quand les pompes ne sont pas en marche.

- **Cycle chromathérapie:** Quand se mode est activé, les lumières de chromathérapie vont continuellement et automatiquement passer le cycle de huit couleurs; blanc, violet, bleu indigo, aigue-marine, vert, jaune, orange et rouge. Un cycle des huit couleurs dure à peu près une minute. Tourner la bague extérieure pour sélectionner ce mode et appuyer sur "OK" pour l'activer. Appuyer sur "OK" quand le mode chromathérapie est actif pour éteindre les lumières.
- **Sélection spécifique de couleur de la chromathérapie:** Lorsque ce mode est activé, vous pouvez sélectionner une couleur spécifique pour votre bain. Tourner la bague extérieure pour sélectionner ce mode et appuyer sur "OK" pour l'activer et utiliser les flèches haut/bas pour sélectionner la couleur. Appuyer sur "OK" quand le mode chromathérapie est actif pour éteindre les lumières.

16. Opération de la télécommande

REMARQUE : Se référer au guide du propriétaire pour les instructions détaillées de la télécommande.

- La télécommande met les fonctions de la baignoire à hydromassage à portée de main. L'accès et la modification des modes/caractéristiques sont possibles à partir de la télécommande. La télécommande étanche est conçue pour être utilisée dans le bain, et flottera sur l'eau. La télécommande utilise deux piles AAA.
- Le bouton de sélection fonctionne de la même manière que la bague extérieure. Quand "M" est pressé, un des modes clignotera sur le clavier. Si "M" est appuyé de nouveau, le prochain mode dans le sens de l'aiguille d'une montre clignotera. Quand le mode désiré clignote, presser "OK" pour l'activer.
- Quand les modes Flexjets, Cascade, Eaux Vives, ou Rapides sont activés, les flèches augmenteront ou diminueront le volume du débit d'eau.

17. Procédures de dépannage

Ce guide de dépannage est seulement destiné à une aide générale. Seul un technicien agréé Kohler ou un électricien qualifié devrait corriger tous les problèmes électriques. Pour une réparation sous garantie, contacter le vendeur ou distributeur.

Dépannage du système d'hydromassage

Procédures de dépannage (cont.)

Symptômes	Causes probables	Action recommandée
1. Le clavier ne s'illumine pas quand le bouton est pressé ou quand la bague extérieure est tournée.	<p>A. Pas d'alimentation au contrôle.</p> <p>B. Les disjoncteurs GFCI ou ELCB se déclenchent.</p> <p>C. Le harnais du câblage du clavier est desserré, débranché ou endommagé.</p> <p>D. Le clavier ne fonctionne pas.</p> <p>E. Le contrôle ne fonctionne pas.</p>	<p>A. Vérifier le câblage et connecter l'alimentation électrique.</p> <p>B. Réinitialiser le GFCI ou le ELCB.</p> <p>C. Vérifier que les connexions du câblage soient correctes. Remplacer le harnais du câblage si nécessaire.</p> <p>D. Remplacer le clavier.</p> <p>E. Remplacer le contrôle.</p>
2. Le moteur démarre, mais tous les jets ne fonctionnent pas.	<p>A. Le jet est fermé.</p> <p>B. Le jet n'est pas installé correctement.</p> <p>C. Les jets sont bloqués.</p>	<p>A. Tourner la bague du jet vers la gauche pour ouvrir.</p> <p>B. Réinstaller le jet; s'assurer que le joint torique ne soit pas endommagé.</p> <p>C. Retirer le blocage.</p>
3. Le clavier est illuminé mais, ne répond pas aux boutons ou bague extérieure.	<p>A. Le programme de contrôle est verrouillé.</p> <p>B. Le harnais du câblage du clavier est desserré, débranché ou endommagé.</p> <p>C. Le clavier ne fonctionne pas.</p> <p>D. Le contrôle ne fonctionne pas.</p>	<p>A. Réinitialiser le GFCI ou le ELCB.</p> <p>B. Vérifier que les connexions du câblage soient correctes. Remplacer le harnais du câblage si nécessaire.</p> <p>C. Remplacer le clavier.</p> <p>D. Remplacer le contrôle.</p>
4. La barre d'indication du clavier continue le balayage au démarrage.	<p>A. Le programme de contrôle est verrouillé.</p> <p>B. Le harnais du câblage du clavier est desserré, débranché ou endommagé.</p> <p>C. Le clavier ne fonctionne pas.</p> <p>D. Le contrôle ne fonctionne pas.</p>	<p>A. Réinitialiser le GFCI ou le ELCB.</p> <p>B. Vérifier que les connexions du câblage soient correctes. Remplacer le harnais du câblage si nécessaire.</p> <p>C. Remplacer le clavier.</p> <p>D. Remplacer le contrôle.</p>
5. Le clavier est illuminé, mais la pompe ne démarre pas.	<p>A. Le câble de la pompe est desserré, déconnecté ou endommagé.</p> <p>B. La pompe ne fonctionne pas.</p> <p>C. Le contrôle ne fonctionne pas.</p>	<p>A. Vérifier que les connexions du câblage soient correctes.</p> <p>B. Remplacer la pompe.</p> <p>C. Remplacer le contrôle.</p>
6. Le moteur fonctionne mais la pompe ne pompe pas (pompe cavitante).	<p>A. La pompe est trop élevée.</p> <p>B. Petite fuite d'air à l'entrée de la pompe.</p> <p>C. Le moteur/pompe ne fonctionne pas.</p> <p>D. Le contrôle ne fonctionne pas.</p>	<p>A. Baisser la pompe/contrôle au niveau du plancher.</p> <p>B. Serrer soigneusement le(s) écrou(s) des tuyaux de l'admission de la pompe.</p> <p>C. Remplacer le moteur/la pompe.</p> <p>D. Remplacer le contrôle.</p>
7. Faible débit des deux orifices de remplissage.	<p>A. Les conduites d'arrivée d'eau sont bouchées.</p> <p>B. La valve de transfert n'est pas complètement ouverte.</p>	<p>A. Retirer le blocage.</p> <p>B. Tourner la poignée de la valve.</p>
8. Peu ou faible débit d'eau de la Cascade.	<p>A. Le conduit d'aspiration ou le réseau sont bouchés.</p>	<p>A. Retirer le blocage.</p>

Procédures de dépannage (cont.)

Symptômes	Causes probables	Action recommandée
	<p>B. Le pompe ne fonctionne pas.</p> <p>C. Le contrôle ne fonctionne pas.</p>	<p>B. Remplacer la pompe.</p> <p>C. Remplacer le contrôle.</p>
<p>9. Les jets de style Riverjets fonctionnent, mais les jets Eau vive/Rapides ne fonctionnent pas tels que décrits.</p>	<p>A. Il n'y a pas suffisamment d'eau dans le bassin de la baignoire à hydromassage.</p> <p>B. Le clavier ne fonctionne pas.</p> <p>C. La valve papillon ne fonctionne pas.</p> <p>D. Le contrôle ne fonctionne pas.</p>	<p>A. Remplir la baignoire à hydromassage jusqu'à recouvrir les capteurs de niveau d'eau.</p> <p>B. Remplacer le clavier.</p> <p>C. Vérifier le câblage. Remplacer la valve papillon.</p> <p>D. Remplacer le contrôle.</p>
<p>10. Les flèches haut/bas de contrôle de volume ne changent pas le débit d'eau, comme décrit.</p>	<p>A. Le clavier ne fonctionne pas.</p> <p>B. Le pompe ne fonctionne pas.</p> <p>C. Le contrôle ne fonctionne pas.</p>	<p>A. Vérifier le câblage. Remplacer le clavier.</p> <p>B. Vérifier le câblage. Remplacer la pompe.</p> <p>C. Vérifier le câblage. Remplacer le contrôle.</p>
<p>11. Le débit d'air à travers les jets ne s'arrête pas lorsque le mode Vague est activé.</p>	<p>A. Le clavier ne fonctionne pas.</p> <p>B. La valve papillon ne fonctionne pas.</p> <p>C. Le contrôle ne fonctionne pas.</p>	<p>A. Remplacer le clavier.</p> <p>B. Vérifier le câblage. Remplacer la valve papillon.</p> <p>C. Vérifier le câblage. Remplacer le contrôle.</p>
<p>12. L'air continue de circuler par un ou plusieurs jets pendant plusieurs secondes après avoir appuyé sur le bouton de commande Tidepool (mode Vague).</p>	<p>A. Fonctionnement normal - la circulation d'air cessera en quelques instants.</p>	<p>A. Aucune action requise.</p>
<p>13. La pompe s'arrête automatiquement avant 18 minutes.</p>	<p>A. Les disjoncteurs GFCI ou ELCB se déclenchent.</p> <p>B. L'aspiration est bloquée.</p> <p>C. Les jets sont bloqués.</p> <p>D. Moteur surchauffé et système de protection activé.</p>	<p>A. Identifier la source du problème puis y remédier. Réinitialiser le GFCI ou le ELCB.</p> <p>B. Retirer l'obstruction.</p> <p>C. Retirer le blocage.</p> <p>D. Vérifier s'il y a un blocage à l'aspiration et/ou aux jets. Retirer l'obstruction et laisser le moteur refroidir.</p>
<p>14. La pompe ne s'arrête pas automatiquement après 22 minutes.</p>	<p>A. La minuterie de 20 minutes s'arrête par inadvertance.</p>	<p>A. Consulter le manuel de service.</p>
<p>15. La pompe ne s'arrête pas quand le bouton de marche du clavier est pressé.</p>	<p>A. Le clavier ne fonctionne pas.</p> <p>B. Le contrôle ne fonctionne pas.</p>	<p>A. Remplacer le clavier.</p> <p>B. Remplacer le contrôle.</p>
<p>16. La pompe fonctionne, mais la fonction de vitesse variable ne fonctionne pas.</p>	<p>A. Le moteur/pompe ne fonctionne pas.</p> <p>B. Le contrôle ne fonctionne pas.</p>	<p>A. Remplacer le moteur/la pompe.</p> <p>B. Remplacer le contrôle.</p>

Procédures de dépannage (cont.)

Symptômes	Causes probables	Action recommandée
17. L'eau de la baignoire se refroidit pendant l'opération de la pompe.	A. La température de l'eau au dessus de 104° F (40° C). B. Le chauffeau est arrêté par le clavier. C. Le câblage du chauffeau est desserré, débranché ou endommagé. D. Le chauffe-eau ne fonctionne pas. E. Le contrôle ne fonctionne pas.	A. Laisser l'eau du bain refroidir. B. Mettre le chauffeau en marche. C. Vérifier que les connexions du câblage soient correctes. D. Remplacer le chauffe-eau. E. Remplacer le contrôle.
18. Fonctionnement bruyant.	A. Les sangles de retenue de la pompe n'ont pas été coupées. B. Joint torique sec ou délogé (crissement).	A. Couper les sangles de retenue avec des cisailles de ferblantier. B. Retirer le jet, remplacer et lubrifier le joint torique, et réinstaller le jet.
19. La télécommande (si équipé) ne fonctionne pas.	A. Les piles sont mal installées ou épuisées. B. L'antenne du câblage électrique est endommagée. C. La télécommande n'est pas correctement programmée. D. La télécommande ne fonctionne pas. E. Le contrôle ne fonctionne pas.	A. Remplacer les piles. B. Remplacer le harnais de câblage électrique. C. Consulter le guide du propriétaire ou le manuel de service. D. Remplacer la télécommande. E. Remplacer le contrôle.

Dépannage des lumières de chromathérapie - Modèles H2 uniquement

Symptômes	Causes probables	Action recommandée
20. Les lumières de chromathérapie ne fonctionnent pas.	A. Le câblage est desserré ou endommagé. B. Le contrôle ne fonctionne pas.	A. Vérifier que les connexions du câblage soient correctes. Remplacer le câblage si nécessaire. B. Remplacer le contrôle.

Guía de instalación

Bañera de hidromasaje redonda

Información importante



ADVERTENCIA: Al usar aparatos eléctricos, siga siempre las precauciones básicas, incluyendo las siguientes:



PELIGRO: Riesgo de descarga eléctrica. Conecte la unidad solamente a circuitos protegidos con interruptores de circuito de pérdida a tierra (GFCI) o disyuntores de fuga a tierra (ELCB).



ADVERTENCIA: Riesgo de descarga eléctrica. Un electricista calificado debe realizar todas las conexiones eléctricas.



ADVERTENCIA: Riesgo de descarga eléctrica. Desconecte el suministro eléctrico antes de dar mantenimiento.



ADVERTENCIA: Riesgo de lesiones personales o daños a la propiedad. Lea atentamente todas las instrucciones antes de comenzar la instalación, incluyendo los requisitos detallados a continuación.

El material de construcción y el cableado se deben colocar lejos de las bombas y de otros componentes que produzcan calor.

Instale la unidad de manera que se permita el acceso para el mantenimiento.

Los compartimientos de cables incluyen conectores de presión de conexión a tierra identificados como "Earth/Ground". Para reducir el riesgo de descarga eléctrica, es necesario conectar estos conectores a los terminales de tierra de su tablero eléctrico o panel de suministro con un cable de cobre del mismo tamaño que los conductores del circuito que alimentan este equipo.

Esta unidad incluye conectores de presión en el exterior de la caja de empalmes o controles de esta unidad que permiten la conexión de conductores de puesta a tierra entre este producto y cualquier metal expuesto en las proximidades de la unidad, tal como lo requieren las normas locales.

La conexión a tierra es un requisito. Un representante de servicio autorizado debe instalar esta unidad y conectarla a tierra.

AVISO: Cumpla con todos los códigos locales de electricidad y de plomería.

Información sobre el producto

Requisitos eléctricos

La instalación debe tener dos interruptores de circuito de pérdida a tierra (GFCI) de Clase A o disyuntores de fuga a tierra (ELCB). Los GFCI o ELCB protegen contra el peligro de descarga eléctrica. **Utilice dos circuitos dedicados de 220-240 V, 20 A y 50/60 Hz; uno para cada sistema de bomba/control/calentador.**

Avisos sobre el producto



ADVERTENCIA: Las modificaciones no autorizadas pueden causar un funcionamiento peligroso y bajo rendimiento de la bañera de hidromasaje. No cambie la ubicación de las bombas de la bañera de hidromasaje, ni haga otras modificaciones en el sistema de hidromasaje, ya que esto podría tener un efecto adverso en el rendimiento y en el funcionamiento seguro de la bañera de hidromasaje. Kohler Co. no se hace responsable bajo esta garantía o de ninguna otra forma, de las lesiones personales o los daños provocados por modificaciones no autorizadas.

Información sobre el producto (cont.)

Características

Los componentes incluyen dos bombas, dos controles, un calentador, una cascada, jets Flexjets, jets Riverjets, luces de cromoterapia (sólo Modelo H2), válvula de llenado integral (sólo K-1397) y teclado iluminado con control remoto.

Conexiones y acceso para el mantenimiento

Antes de instalar, asegúrese de tener el acceso adecuado a las conexiones finales.

AVISO: Provea bastante acceso, sin restricciones, para el mantenimiento de la bomba. Se debe proveer un panel de acceso de 48" (122 cm) de ancho x 15" (38,1 cm) de alto, como mínimo, para el mantenimiento de las bombas y controles. El panel de acceso debe colocarse justo al lado de las bombas. Consulte el diagrama de instalación incluido con la bañera de hidromasaje.

Contenido

Información importante	1
Información sobre el producto	1
Requisitos eléctricos	1
Avisos sobre el producto	1
Características	2
Conexiones y acceso para el mantenimiento	2
Antes de comenzar	3
Herramientas y materiales	3
Prepare el sitio	4
Prepare la bañera de hidromasaje	4
Fije la bañera de hidromasaje al subpiso	5
Corte las cintas metálicas que sujetan la bomba	6
Instale la plomería	6
Realice las conexiones eléctricas	7
Instale el kit de guarnición de la bañera de hidromasaje	9
Pruebe el funcionamiento de la bañera de hidromasaje	9
Termine la cubierta/pared acabada	11
Termine la instalación de concreto	11
Limpieza después de la instalación	11
Instale las almohadas desmontables	12
Confirme el funcionamiento correcto	13
Secuencia de funcionamiento	14
Funcionamiento de la cromoterapia	15
Funcionamiento del control remoto	15
Procedimientos para resolver problemas	15

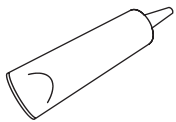
Antes de comenzar



PRECAUCIÓN: Riesgo de daños al producto. No levante la bañera de hidromasaje por los tubos o la bomba, ni use los tubos o la bomba como soporte estructural de la bañera de hidromasaje.

- Recomendamos esta bañera de hidromasaje para una instalación de sobreponer o al ras.
- Verifique que la bañera de hidromasaje no esté dañada antes de iniciar la instalación.
- Es necesario instalar la bañera de hidromasaje en un subpiso nivelado y con suficiente soporte.
- El modelo K-1397 tiene un sistema de llenado integral que emplea puertos duales de llenado en ambos lados de la cascada y válvulas pre-instaladas.
- El modelo K-1399 le permite emplear la válvula de llenado de su elección - puede utilizar los puertos duales de llenado pre-instalados o un surtidor de llenado si lo desea. Verifique que haya suficiente soporte para la grifería de montaje en el borde, si la utiliza. Las griferías grandes que se utilicen inadvertidamente como medio de soporte no son apropiadas ni seguras para esta instalación.
- Consulte los códigos locales y nacionales.
- Kohler Co. se reserva el derecho de modificar el diseño de los productos sin previo aviso, tal como se especifica en la lista de precios.

Herramientas y materiales



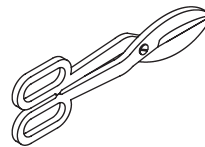
Sellador de silicona



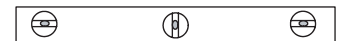
Cinta para medir



Lápiz



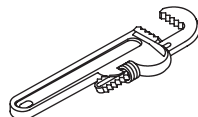
Tijeras para chapa



Nivel



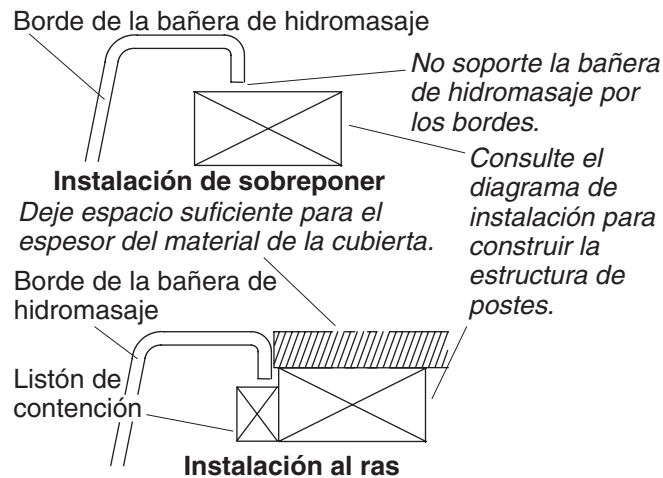
Lentes de seguridad



Llave para tubo

Más:

- Herramientas y materiales convencionales para trabajar la madera
- Lona para el piso
- Cemento, mortero o adhesivo de construcción
- Listones de 2 x 4



1. Prepare el sitio



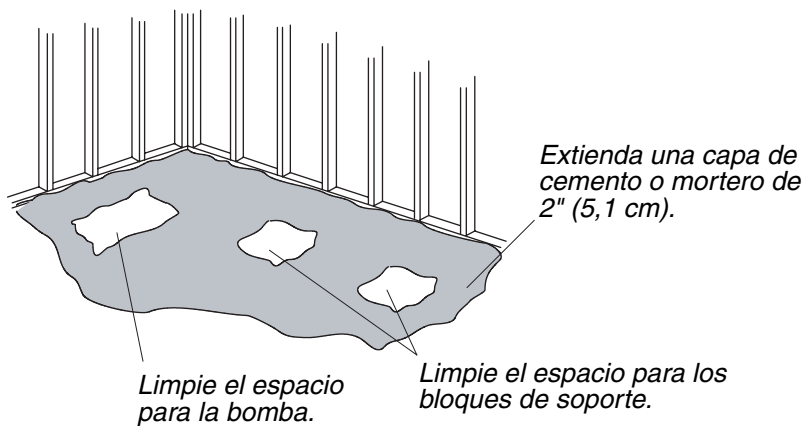
PRECAUCIÓN: Riesgo de daños al producto. No apoye la bañera de hidromasaje por los bordes.

AVISO: Se debe proveer el soporte de piso adecuado. Consulte el diagrama de instalación incluido con su bañera de hidromasaje para obtener los requisitos de carga específicos para el piso.

- Asegúrese de que el piso ofrezca suficiente soporte para su bañera de hidromasaje y que el subpiso esté plano y nivelado.
- Esta bañera de hidromasaje debe instalarse sobrepuesta o al ras. Construya una estructura de postes de 2x4 o de soportes de concreto o ladrillo para su instalación en particular. Construya la estructura del piso o construya una estructura o soporte para una instalación elevada, conforme a la información contenida en el diagrama de instalación.
- Utilice la plantilla incluida con la bañera de hidromasaje para cortar el material de la cubierta no acabada. Para instalaciones de montaje al ras, tome en cuenta el espesor del material de la cubierta.
- Instale las tuberías de plomería según el diagrama de instalación provisto. Tape los suministros y verifique que no haya fugas.

2. Prepare la bañera de hidromasaje

- Instale el desagüe en la bañera de hidromasaje según las instrucciones del fabricante del desagüe. Aún no conecte la trampa.
- Coloque una lona gruesa limpia o un material similar en el fondo de la bañera de hidromasaje. Tenga cuidado de no rayar la superficie de la bañera de hidromasaje.



Aplique una tira de sellador de silicona alrededor de todo el borde

o

Aplique adhesivo de construcción en los bloques de soporte.

3. Fije la bañera de hidromasaje al subpiso



PRECAUCIÓN: Riesgo de daños al producto. No levante la bañera por los tubos o las bombas, ni use los tubos o las bombas como soporte estructural de la unidad.

- Elija la opción de instalación más apropiada para su instalación en particular. Siga las instrucciones correspondientes.
- Si el subpiso no está nivelado, acúñe los bloques de soporte de la bañera de hidromasaje según sea necesario.

Opción que utiliza una lechada de cemento o mortero

- Extienda una capa de 2" (5 cm) de cemento o mortero en el subpiso donde se colocará la bañera de hidromasaje. Esto ayudará a fijar, nivelar y dar soporte a la unidad. Limpie todo el material del lugar donde se instalarán los controles de la bomba y los bloques de soporte.

NOTA: No utilice cemento de yeso o pasta para paneles de yeso con esta aplicación, puesto que no proporcionarán una adherencia aceptable ni duradera.

NOTA: Los controles de la bomba (cuando las cintas metálicas han sido cortadas) y los bloques de soporte necesitan descansar directamente en el subpiso.

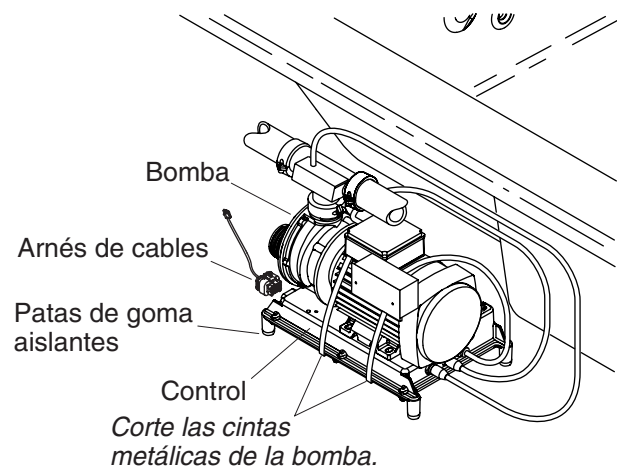
- Coloque un pedazo de lona gruesa de plástico sobre el cemento o mortero. Obtenga ayuda para colocar la bañera de hidromasaje en su lugar y verifique que los controles de la bomba y los bloques de soporte no se apoyen sobre la lechada del material.
- Inserte el tubo de desagüe en la trampa. Asegúrese de que la bañera de hidromasaje esté nivelada y apoyada sobre todos los bloques de soporte.

Opción que utiliza adhesivo de construcción

- Aplique una cantidad abundante de adhesivo de construcción de alta calidad en la parte inferior de los bloques de soporte. Obtenga ayuda para colocar con cuidado la bañera de hidromasaje en su lugar.
- Inserte el tubo de desagüe en la trampa. Asegúrese de que la bañera de hidromasaje esté nivelada y apoyada sobre todos los bloques de soporte.

Opción que utiliza sellador de silicona

- Obtenga ayuda para colocar con cuidado la bañera de hidromasaje en su lugar.
- Inserte el tubo de desagüe en la trampa. Asegúrese de que la bañera de hidromasaje esté nivelada y apoyada sobre todos los bloques de soporte.
- Aplique una tira continua de sellador de silicona de buena calidad alrededor de todo el borde de la bañera de hidromasaje.



4. Corte las cintas metálicas que sujetan la bomba

¡IMPORTANTE! Este paso es necesario para que su bañera de hidromasaje Kohler funcione más silenciosamente.

- Utilice unas tijeras para chapa y corte las dos cintas metálicas de cada bomba en la bañera de hidromasaje.

NOTA: No levante la bomba a mayor altura respecto a la altura anterior, antes de cortar las cintas metálicas. Si las bombas están muy elevadas, es posible que no funcionen apropiadamente. Asegúrese de que las patas aislantes de goma estén en su lugar.

- Para minimizar el ruido y la vibración de la bañera de hidromasaje, asegúrese de que las bombas no estén en contacto directo con la bañera de hidromasaje después de cortar las cintas metálicas. Los controles de la bomba contienen patas aislantes de goma para reducir el ruido de la bomba.

5. Instale la plomería

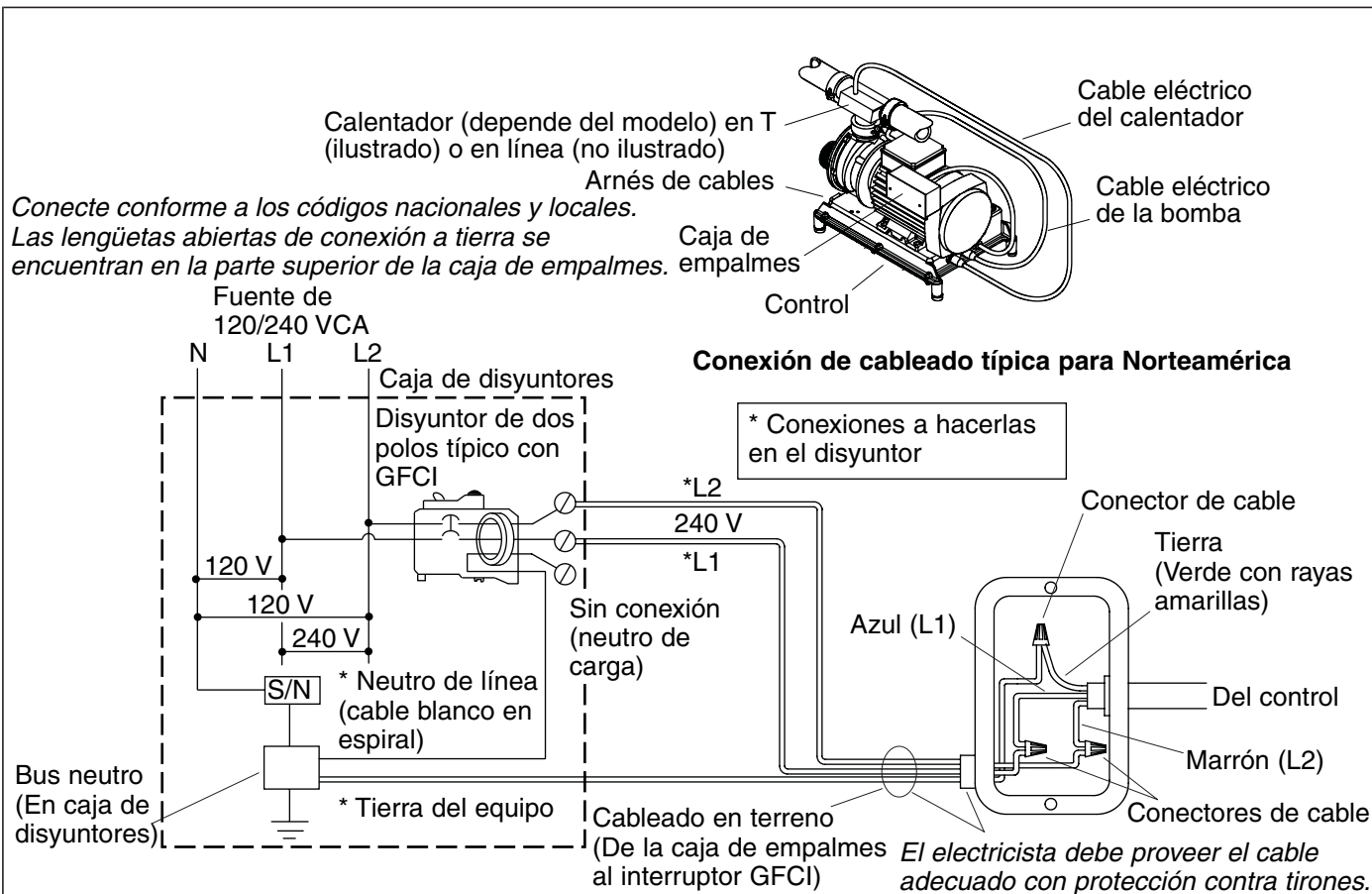


PRECAUCIÓN: Riesgo de daños a la propiedad. Asegúrese de que haya un sellado impermeable en el desagüe de la bañera de hidromasaje.

- Conecte el desagüe a la trampa según las instrucciones del fabricante del desagüe.

AVISO: Un panel de acceso facilitará el mantenimiento futuro.

- **K-1397 solamente:** Conecte los suministros de agua fría y caliente a las válvulas de llenado integral, conforme a los códigos locales. Existe un orificio adicional en la bañera para la ducha de mano. Instale la ducha de mano en este momento. Conecte el extremo de la manguera de la ducha de mano al puerto abierto de la válvula de transferencia (debajo del borde de la bañera). Asegúrese de que la espiga de la válvula de transferencia se haya girado completamente a la derecha. La válvula de transferencia incluye una válvula integral rompevacío que protege al surtidor de llenado y a la ducha de mano de la ocurrencia de contraflujo.
- **K-1399 solamente:** Instale la válvula de la grifería según las instrucciones del fabricante de la grifería. Conecte las válvulas a los puertos de llenado (surtidores) de la bañera, conforme a los códigos locales.
- **Todos los modelos:** No instale la guarnición de la grifería hasta que se le indique. Abra los suministros del agua caliente y fría, y compruebe que no haya fugas en las conexiones de suministro.
- Haga que el agua circule en la bañera de hidromasaje y compruebe que no haya fugas en las conexiones del desagüe.
- Gire la espiga de la válvula de transferencia y verifique que no haya fugas en las conexiones de la ducha de mano.



6. Realice las conexiones eléctricas

NOTA: El número de modelo está impreso en una etiqueta ubicada del lado de la bomba de la bañera rebosante. Esta etiqueta también identifica la capacidad nominal eléctrica de la bañera de hidromasaje. Estas bañeras de hidromasaje vienen equipadas con dos cajas de empalmes y están diseñadas para funcionar entre 208 VCA y 240 VCA a 50 Hz o 60 Hz.



ADVERTENCIA: Riesgo de descarga eléctrica. Asegúrese de desconectar la corriente eléctrica antes de realizar el siguiente procedimiento. Consulte la sección "Información importante".



ADVERTENCIA: Riesgo de descarga eléctrica. Para reducir el riesgo de descarga eléctrica, conecte la bomba a un interruptor de circuito con pérdida a tierra (GFCI) o disyuntor de fuga a tierra (ELCB), correctamente conectado a tierra. El calentador también se tiene que conectar a un interruptor de circuito con pérdida a tierra (GFCI) o disyuntor de fuga a tierra (ELCB) correctamente conectado a tierra. Esto servirá de protección adicional contra el peligro de descarga eléctrica de línea a tierra. Se requieren dos circuitos dedicados de 208-240 V, 20 A, 50/60 Hz.

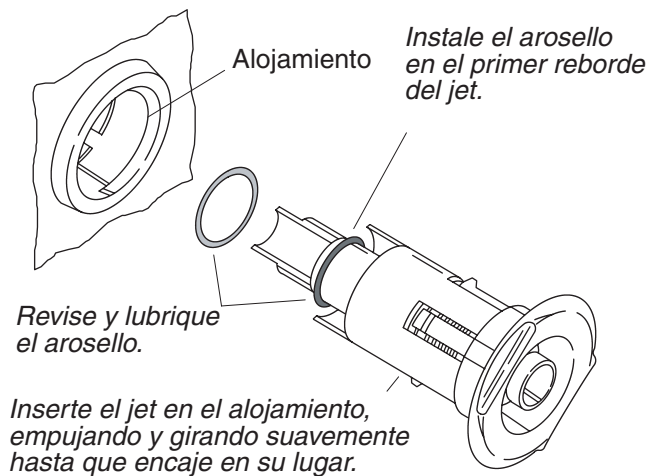
¡IMPORTANTE! El **neutro de carga** no se usa. No debe haber conexión al terminal **neutro de carga** del interruptor de circuito con pérdida a tierra (GFCI) de Clase A. El cable verde con rayas amarillas es la **tierra del equipo** y es necesario conectarlo al bus neutro de la caja principal de circuitos eléctricos.

- El control y el calentador se han pre-cableado en la fábrica. Un electricista calificado debe realizar las conexiones eléctricas rutinarias a cada caja de empalmes.
- Conecte el cable de servicio eléctrico a la caja de empalmes. Ambas cajas de empalmes tienen cables de color azul, marrón y verde con raya amarilla.
- Cumpla con todos los códigos eléctricos locales. Conecte conforme a los códigos nacionales y locales.

Realice las conexiones eléctricas (cont.)

- El cableado del arnés de cables se ha realizado en la fábrica, permitiendo la comunicación entre el teclado, todas las funciones y el control. No es necesario realizar ningún cableado adicional, pero asegúrese de que todos los cables se hayan afianzado bien.

NOTA: El arnés de cables incluye una antena para el control remoto opcional. No modifique ni dañe la antena durante la instalación.



7. Instale el kit de guarnición de la bañera de hidromasaje

- Instale el kit de guarnición de la bañera de hidromasaje (si no vienen instalados de fábrica) según las instrucciones incluidas con el kit de guarnición. Siga atentamente los pasos de instalación de los jets que se presenta a continuación - pues los mismos contienen información importante para obtener un funcionamiento libre de problemas.

NOTA: El arosello (O-ring) del jet debe estar correctamente colocado, lubricado y en buenas condiciones para que el jet pueda girar fácilmente y funcione bien.

- Instale el arosello (O-ring) en el **primer reborde** del jet. Lubrique el arosello (O-ring) con lubricante de silicona para evitar que el jet haga ruido.
- Inserte con cuidado el jet en el alojamiento, empuje levemente y gire el jet hasta que encaje en su lugar. **No fuerce el jet.**

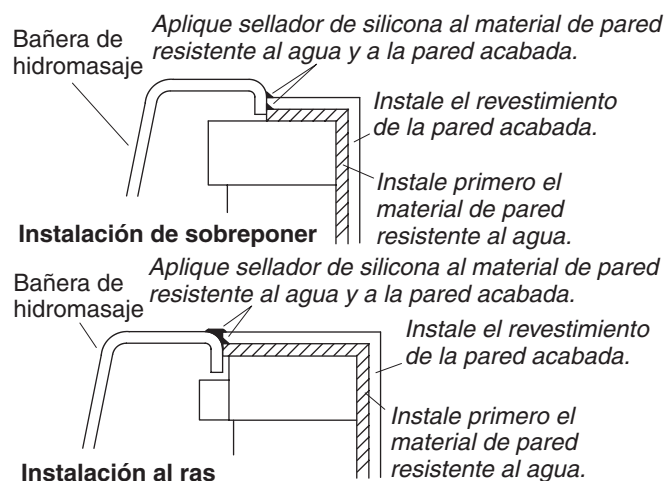
NOTA: Cuando está instalado correctamente, el jet gira sin problemas en ambos sentidos.

8. Pruebe el funcionamiento de la bañera de hidromasaje

- Verifique todas las conexiones eléctricas, luego asegúrese de que todas las conexiones de unión de las bombas y el calentador estén bien apretadas a mano.
- Verifique que las cintas metálicas hayan sido cortadas y que los controles de la bomba descansen directamente en el subpiso. Asegúrese de que las patas aislantes de goma estén colocadas en su lugar.
- Active la corriente eléctrica en la bañera de hidromasaje.
- Llene la bañera de hidromasaje por encima de los sensores del nivel de agua ubicados a cada lado de los jets Riverjet.
- Deje funcionar la bañera de hidromasaje durante 5 minutos (consulte la sección "Secuencia de funcionamiento").
- Verifique que no haya fugas en las conexiones de las tuberías en el lado posterior de la bañera de hidromasaje.
- Encienda cada una de las funciones de la bañera de hidromasaje para verificar que funcione correctamente. Verifique que no haya fugas en el lado posterior de la bañera de hidromasaje.
- De estar equipada, encienda el ciclo de cromoterapia y permita que las luces cambien de color a través del ciclo de ocho colores; blanco, violeta, azul índigo, azul agua, verde, amarillo, naranja y rojo. Un ciclo con los ocho colores tarda aproximadamente un minuto.
- Verifique las funciones utilizando el control remoto. Consulte la sección "Funcionamiento del control remoto".

Pruebe el funcionamiento de la bañera de hidromasaje (cont.)

NOTA: Para obtener información adicional acerca del funcionamiento de la bañera de hidromasaje, consulte la sección "Confirme el funcionamiento correcto" de esta guía.



9. Termine la cubierta/pared acabada

- Retire con cuidado la cinta protectora del borde de la bañera de hidromasaje, si aún no lo ha hecho.
- Cubra la estructura de postes de madera con material de pared resistente al agua. Selle las juntas entre el filo del borde de la bañera de hidromasaje y el material de pared resistente al agua con sellador de silicona.
- Adhiera el material de pared resistente al agua con cinta y yeso. Instale la pared acabada al material impermeable, 1/16" (2 mm) por encima de la superficie esmaltada. Selle las juntas entre el borde de la bañera de hidromasaje y el material de la pared acabada utilizando sellador de silicona.
- Instale la guarnición de la grifería conforme a las instrucciones incluidas con la guarnición.

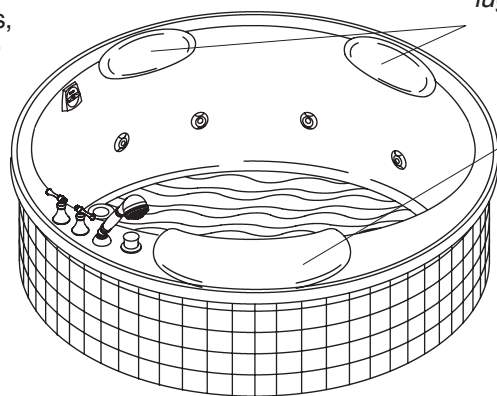
10. Termine la instalación de concreto

- Retire con cuidado la cinta protectora del borde de la bañera de hidromasaje, si aún no lo ha hecho.
- Aplique cemento de construcción y adhiera los azulejos a la pared, cubierta y al material circundante según sea necesario.
- Aplique una tira de sellador en los lugares donde el azulejo entre en contacto con la superficie de la bañera de hidromasaje.
- Instale la guarnición de la grifería conforme a las instrucciones incluidas con la guarnición.

11. Limpieza después de la instalación

- Al limpiar después de la instalación, **no utilice productos de limpieza abrasivos**, pues pueden rayar y opacar la superficie de la bañera de hidromasaje. De ser necesario, utilice agua tibia y un detergente líquido para limpiar la superficie de la bañera de hidromasaje, el teclado y el control remoto.
- Limpie las manchas difíciles de quitar, la pintura y el alquitrán con aguarrás o diluyente de pintura. **No permita que los productos de limpieza que contengan destilados de petróleo permanezcan en contacto con la superficie de la bañera de hidromasaje por periodos prolongados.** El yeso se puede eliminar raspando con un canto de madera. No utilice raspadores de metal, cepillos de alambre ni otras herramientas metálicas. Se puede utilizar un detergente en polvo con un trapo húmedo para proporcionar una acción abrasiva suave en los residuos de yeso.

Se ilustran tres almohadas, aunque se incluyen cuatro



Coloque las almohadas pequeñas en el lugar deseado, encima de la línea de agua.

Coloque la almohada grande en el reborde de la bañera de hidromasaje y presione con fuerza con la mano.

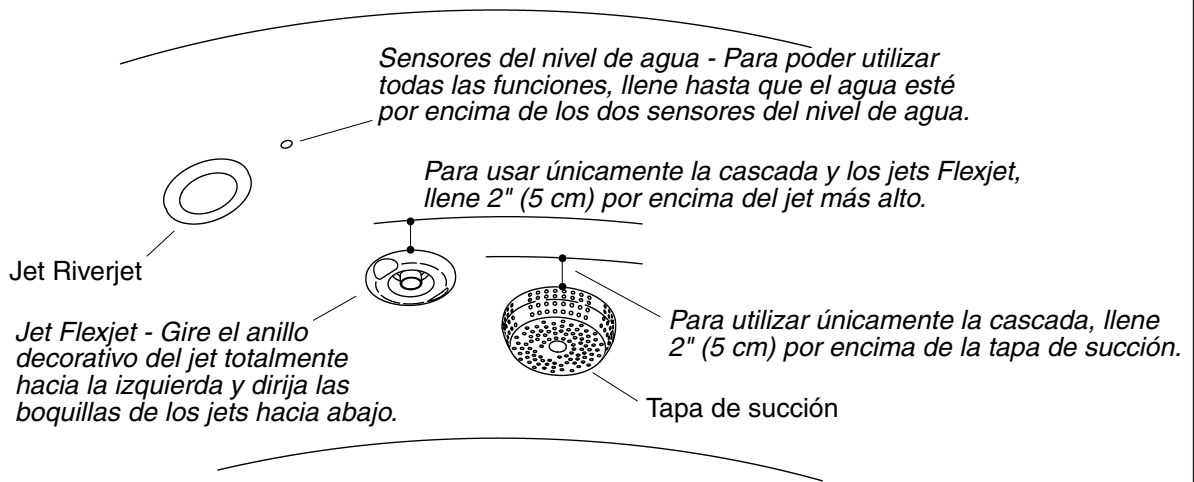
12. Instale las almohadas desmontables



PRECAUCIÓN: Riesgo de daños al producto. No sumerja la almohada en el agua, ni la utilice como asiento.

NOTA: Para mejor acoplamiento a la superficie de la bañera, humedezca las ventosas de las almohadas.

- Limpie los restos de jabón y aceite de la superficie de la bañera de hidromasaje. Las ventosas están en el lado posterior de la almohada. Coloque la almohada grande en su lugar dentro de la bañera y presione con firmeza sobre las ventosas. Coloque las almohadas pequeñas en el lugar deseado, por encima de la línea de agua, repitiendo el procedimiento anterior. Verifique que las almohadas estén fijadas a la bañera de hidromasaje.
- Para retirar las almohadas, levántelas de la superficie de la bañera de hidromasaje.



13. Confirme el funcionamiento correcto

Llene la bañera de hidromasaje

NOTA: Por favor, lea atentamente estos pasos antes de activar la bañera de hidromasaje.

- Gire los anillos decorativos de los jets totalmente hacia la izquierda. Coloque las boquillas de los jets de manera que miren hacia abajo en la bañera.

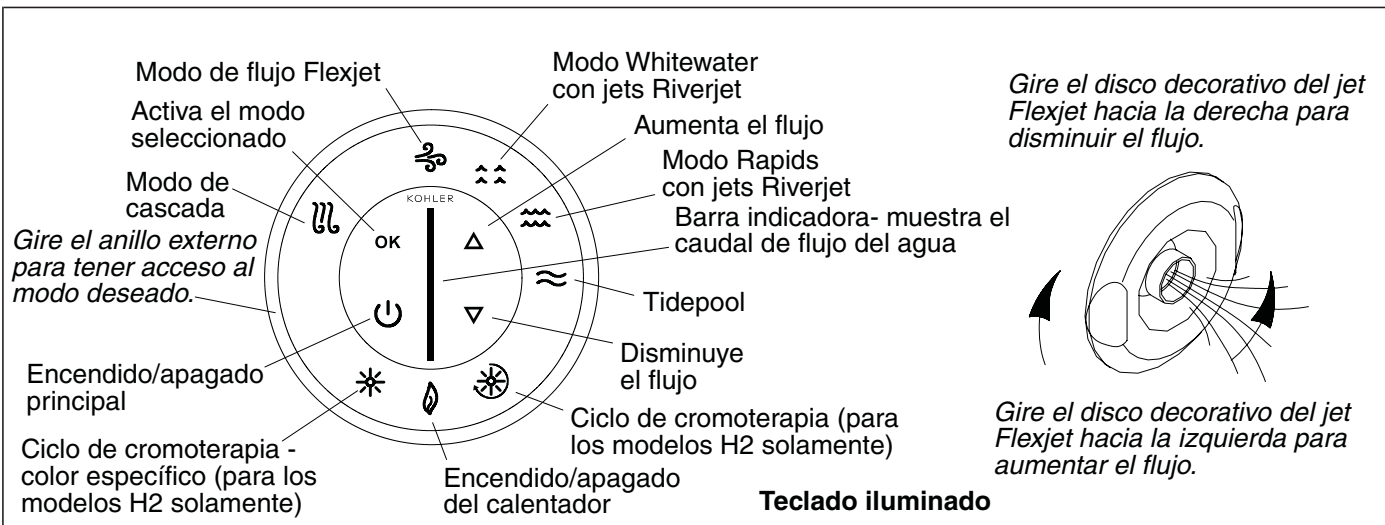
NOTA: Si desea usar únicamente el modo de la cascada (sin los jets Flexjet o Riverjet), llene la bañera unos 2" (5 cm) por encima de la parte superior de la tapa de succión.

NOTA: Si desea utilizar la cascada o los jets Flexjet (sin los jets Riverjet), sólo tiene que llenar la bañera unos 2" (5 cm) por encima del jet Flexjet que esté más alto.

- **Para activar todas las funciones:** Llene la bañera de hidromasaje por encima de los sensores del nivel de agua a cada lado de los jets Riverjet.

NOTA: Los jets Riverjet sólo funcionarán si ambos sensores del nivel de agua están completamente cubiertos de agua. Si el nivel del agua cae por debajo de los sensores, los jets Riverjet se apagarán automáticamente y los Flexjet se encenderán. Los jets Riverjet y Flexjet no funcionarán simultáneamente.

NOTA: La temperatura del agua en la bañera de hidromasaje no debe exceder de 104°F (40°C). El calentador se apagará automáticamente conforme la temperatura del agua alcance los 104°F (40°C) y permanecerá apagado hasta que el agua se enfríe.



14. Secuencia de funcionamiento

NOTA: El calentador integrado ayuda automáticamente a mantener la temperatura del agua mientras la bañera esté en marcha, siempre y cuando la temperatura no sobrepase los 104°F (40°C). El calentador se apagará a temperaturas superiores.

¡IMPORTANTE! Consulte la Guía del usuario para obtener las instrucciones detalladas del teclado y control remoto.

NOTA: La bañera RiverBath emplea dos bombas. Una bomba alimenta la cascada y la otra impulsa el agua a través de los jets Flexjet y Riverjet.

- **Para encender la bañera de hidromasaje:** Presione el botón de encendido/apagado "On/Off" o gire el anillo externo para entrar al modo deseado, como se describe más abajo.
- **Para entrar al modo deseado:** Gire el anillo externo hasta que el botón destelle en azul. Presione "OK" para activar el modo. El modo activado se encenderá de forma intermitente en verde. Para desactivar un modo, gire el anillo externo hasta que el indicador destelle en azul, y vuelva a presionar "OK". Verifique cada una de las características enumeradas más abajo.
- **Cascada:** Cuando la cascada está activada, el agua comienza a fluir a capacidad media en pocos segundos. El modo de cascada no calienta el agua. En el teclado, oprima los botones de flecha hacia arriba o hacia abajo para aumentar o disminuir el flujo de agua. La barra indicadora en el centro del teclado muestra el caudal del flujo de agua. La cascada se puede utilizar sola o con uno de los siguientes modos; Flexjets, Whitewaters o Rapids.
- **Jets Flexjet:** Cuando se activan los jets Flexjet, que se encuentran por debajo de los jets Riverjet, el agua empezará a fluir inmediatamente a una capacidad media. En el teclado, oprima los botones de flecha hacia arriba o hacia abajo para aumentar o disminuir el flujo de agua. La barra indicadora en el centro del teclado muestra el caudal del flujo de agua.
- **Modo Whitewater:** El modo Whitewater activa los dos jets Riverjet ubicados en la zona de la nuca haciendo que el agua fluya con un caudal medio. En el teclado, oprima los botones de flecha hacia arriba o hacia abajo para aumentar o disminuir el flujo de agua. La barra indicadora en el centro del teclado muestra el caudal del flujo de agua.
- **Modo Rapids:** El modo Rapids activa los cuatro jets Riverjet ubicados en la zona de la nuca haciendo que el agua fluya a una capacidad media. En el teclado, oprima los botones de flecha hacia arriba o hacia abajo para aumentar o disminuir el flujo de agua. La barra indicadora en el centro del teclado muestra el caudal del flujo de agua.
- **Modo Tidepool:** Este modo apaga el flujo de aire a los jets para proporcionar un efecto calmante y relajante. El modo Tidepool se puede utilizar en cualquier momento mientras los jets estén en funcionamiento. El modo Tidepool no afecta el funcionamiento de la cascada.

Secuencia de funcionamiento (cont.)

NOTA: Una vez que el modo Tidepool se ha activado, es posible que algo de aire fluya por uno o más jets durante un corto periodo de tiempo.

- **Calentador:** El calentador integrado ayuda automáticamente a mantener la temperatura del agua mientras cualquier jet esté funcionando, siempre y cuando la temperatura no sobrepase los 104°F (40°C). El calentador se puede apagar en cualquier momento mientras las bombas estén en marcha, para ello gire el anillo externo hasta que el botón del calentador se ilumine de forma intermitente y presione "OK". Vuelva a presionar "OK" para volver a encender el calentador.
- El sistema de jets de hidromasaje añade aire al flujo de agua (excepto en el modo Tidepool) para aumentar la fuerza del flujo de agua. Para disminuir la fuerza del flujo de agua del hidromasaje, gire los anillos de los jets del hidromasaje hacia la derecha, hasta obtener la intensidad deseada. Gire los anillos decorativos hacia la izquierda para aumentar la fuerza del flujo de agua.
- Oprima el botón On/Off para apagar la bañera de hidromasaje.

NOTA: El temporizador integrado apaga automáticamente el motor y la bomba después de aproximadamente 20 minutos de funcionamiento.

15. Funcionamiento de la cromoterapia

Equipada en los modelos H2 solamente

NOTA: La cromoterapia se puede utilizar con todos los modos de funcionamiento. La cromoterapia también se puede utilizar cuando las bombas no estén funcionando.

- **Ciclo de cromoterapia:** Cuando este modo está activado, las luces de cromoterapia cambian de color automática y continuamente ocho veces; blanco, violeta, azul índigo, azul agua, verde, amarillo, naranja y rojo. Un ciclo de ocho colores tarda aproximadamente un minuto. Para seleccionar este modo, gire el anillo externo y presione "OK" para activarlo. Para apagar las luces, presione "OK" mientras el modo de cromoterapia esté activado.
- **Selección de un color específico de cromoterapia:** Cuando este modo está activo, se puede elegir un color específico para la bañera. Gire el anillo externo para seleccionar este modo, presione "OK" para activarlo y utilice las flechas hacia arriba/abajo hasta el color deseado. Para apagar las luces, presione "OK" mientras el modo de cromoterapia esté activado.

16. Funcionamiento del control remoto

NOTA: Consulte la Guía del usuario para obtener las instrucciones detalladas de su control remoto.

- El control remoto pone al alcance de su mano las funciones de la bañera de hidromasaje. Usted puede tener acceso y modificar todos los modos/características del control remoto. El control remoto impermeable está diseñado para usarse en la bañera y flota en el agua. El control remoto utiliza dos pilas AAA.
- El botón de selección de modo funciona de la misma manera que el anillo externo. Cuando se oprime la "M", uno de los modos destella en el teclado. Si vuelve a oprimir la "M", el modo siguiente hacia la derecha se iluminará de forma intermitente. Una vez que el modo deseado esté iluminado de forma intermitente, oprima "OK" para activarlo.
- Las flechas harán que el caudal del flujo de agua aumente o disminuya cuando los modos de cascada, Flexjet, Whitewater o Rapids están activos.

17. Procedimientos para resolver problemas

Esta guía para resolver problemas está diseñada únicamente como ayuda general. Todos los problemas eléctricos deben ser resueltos por un representante de servicio autorizado de Kohler o un electricista calificado. Para obtener servicio cubierto por la garantía, póngase en contacto con el vendedor o el distribuidor mayorista.

Guía para resolver problemas del sistema de la bañera de hidromasaje

Procedimientos para resolver problemas (cont.)

Síntomas	Causas probables	Acción recomendada
1. El teclado no se ilumina cuando se oprime el botón de encendido o se hace girar el anillo externo.	<p>A. El control no tiene alimentación eléctrica.</p> <p>B. El interruptor de circuitos GFCI o ELCB se ha disparado.</p> <p>C. El arnés de cables del teclado al control está suelto, desconectado o dañado.</p> <p>D. El teclado no funciona.</p> <p>E. El control no funciona.</p>	<p>A. Verifique el cableado y conecte el suministro eléctrico.</p> <p>B. Oprima el botón de restablecer la alimentación eléctrica del interruptor GFCI o ELCB.</p> <p>C. Revise que los cables estén correctamente conectados. Reemplace el arnés de cables de ser necesario.</p> <p>D. Reemplace el teclado.</p> <p>E. Reemplace el control.</p>
2. El motor se enciende, pero no todos los jets funcionan.	<p>A. El jet está cerrado.</p> <p>B. El jet no está instalado correctamente.</p> <p>C. Los jets están obstruidos.</p>	<p>A. Gire la guarnición del jet hacia la izquierda para abrirlo.</p> <p>B. Vuelva a instalar el jet; revise que el arosello (O-ring) no esté dañado.</p> <p>C. Elimine la obstrucción.</p>
3. El teclado está iluminado, pero no responde a los botones o anillo externo.	<p>A. El programa del control está bloqueado.</p> <p>B. El arnés de cables del teclado al control está suelto, desconectado o dañado.</p> <p>C. El teclado no funciona.</p> <p>D. El control no funciona.</p>	<p>A. Oprima el botón de restablecer la alimentación eléctrica del interruptor GFCI o ELCB.</p> <p>B. Revise que los cables estén correctamente conectados. Reemplace el arnés de cables de ser necesario.</p> <p>C. Reemplace el teclado.</p> <p>D. Reemplace el control.</p>
4. Al encender la unidad, la barra indicadora del teclado continúa en modo de búsqueda.	<p>A. El programa del control está bloqueado.</p> <p>B. El arnés de cables del teclado al control está suelto, desconectado o dañado.</p> <p>C. El teclado no funciona.</p> <p>D. El control no funciona.</p>	<p>A. Oprima el botón de restablecer la alimentación eléctrica del interruptor GFCI o ELCB.</p> <p>B. Revise que los cables estén correctamente conectados. Reemplace el arnés de cables de ser necesario.</p> <p>C. Reemplace el teclado.</p> <p>D. Reemplace el control.</p>
5. El teclado está iluminado pero la bomba no se enciende.	<p>A. El cable eléctrico de la bomba al control está suelto, desconectado o dañado.</p> <p>B. La bomba no funciona.</p> <p>C. El control no funciona.</p>	<p>A. Revise que los cables estén correctamente conectados.</p> <p>B. Reemplace la bomba.</p> <p>C. Reemplace el control.</p>
6. El motor funciona pero la bomba no hace el cebado (se produce cavitación).	<p>A. La bomba se ha acuñado demasiado.</p> <p>B. Pequeña fuga de aire en la entrada de la bomba.</p> <p>C. El motor/bomba no funciona.</p> <p>D. El control no funciona.</p>	<p>A. Baje la bomba/control al nivel del subpiso.</p> <p>B. Apriete firmemente la(s) tuerca(s) del lado de admisión de la bomba.</p> <p>C. Reemplace el motor/bomba.</p> <p>D. Reemplace el control.</p>
7. Flujo escaso desde los puertos duales de llenado.	<p>A. Las líneas de suministro de agua están obstruidas.</p> <p>B. La válvula de transferencia no está totalmente abierta.</p>	<p>A. Elimine la obstrucción.</p> <p>B. Gire la manija de la válvula de transferencia.</p>

Procedimientos para resolver problemas (cont.)

Síntomas	Causas probables	Acción recomendada
8. Flujo escaso o no hay flujo desde la cascada.	<p>A. La succión o las tuberías están obstruidas.</p> <p>B. La bomba no funciona.</p> <p>C. El control no funciona.</p>	<p>A. Elimine la obstrucción.</p> <p>B. Reemplace la bomba.</p> <p>C. Reemplace el control.</p>
9. Los jets Riverjet funcionan, pero los jets Whitewater/Rapids no funcionan como se describe.	<p>A. Insuficiente agua en la bañera de hidromasaje.</p> <p>B. El teclado no funciona.</p> <p>C. La válvula de mariposa no funciona.</p> <p>D. El control no funciona.</p>	<p>A. Llene la bañera de hidromasaje hasta que el agua cubra los sensores de agua.</p> <p>B. Reemplace el teclado.</p> <p>C. Revise el cableado. Reemplace la válvula de mariposa.</p> <p>D. Reemplace el control.</p>
10. Las flechas hacia arriba/abajo del control del caudal no cambian el flujo de agua como se describe.	<p>A. El teclado no funciona.</p> <p>B. La bomba no funciona.</p> <p>C. El control no funciona.</p>	<p>A. Revise el cableado. Reemplace el teclado.</p> <p>B. Revise el cableado. Reemplace la bomba.</p> <p>C. Revise el cableado. Reemplace el control.</p>
11. El flujo de aire a través de los jets no se detiene cuando se activa el modo Tidepool.	<p>A. El teclado no funciona.</p> <p>B. La válvula de mariposa no funciona.</p> <p>C. El control no funciona.</p>	<p>A. Reemplace el teclado.</p> <p>B. Revise el cableado. Reemplace la válvula de mariposa.</p> <p>C. Revise el cableado. Reemplace el control.</p>
12. El aire sigue fluyendo de uno o más jets durante varios segundos después de activar el modo Tidepool.	<p>A. Operación normal - el aire dejará de fluir en poco tiempo.</p>	<p>A. No es necesario hacer nada.</p>
13. La bomba se detiene antes de funcionar durante 18 minutos.	<p>A. El interruptor de circuitos GFCI o ELCB se ha disparado.</p> <p>B. La succión está obstruida.</p> <p>C. Los jets están obstruidos.</p> <p>D. El motor se ha sobrecalentado, activando el dispositivo de protección.</p>	<p>A. Identifique la causa de la falla y corrija. Oprima el botón de restablecer la alimentación eléctrica del interruptor GFCI o ELCB.</p> <p>B. Elimine la obstrucción.</p> <p>C. Elimine la obstrucción.</p> <p>D. Verifique que no haya obstrucciones en la succión y/o jets. Elimine la obstrucción y deje enfriar el motor.</p>
14. La bomba no se apaga automáticamente después de 22 minutos.	<p>A. El temporizador de 20 minutos se ha desactivado inadvertidamente.</p>	<p>A. Consulte el manual de mantenimiento.</p>
15. La bomba no se apaga cuando se oprime el botón de encendido/apagado en el teclado.	<p>A. El teclado no funciona.</p> <p>B. El control no funciona.</p>	<p>A. Reemplace el teclado.</p> <p>B. Reemplace el control.</p>

Procedimientos para resolver problemas (cont.)

Síntomas	Causas probables	Acción recomendada
16. La bomba funciona pero la opción de velocidad variable no funciona.	<p>A. El motor/bomba no funciona.</p> <p>B. El control no funciona.</p>	<p>A. Reemplace el motor/bomba.</p> <p>B. Reemplace el control.</p>
17. El agua de la bañera se enfría mientras la bomba está funcionando.	<p>A. La temperatura del agua sobrepasa los 104°F (40°C).</p> <p>B. El botón del calentador está apagado en el teclado.</p> <p>C. El cable del calentador al control está suelto, desconectado o dañado.</p> <p>D. El calentador no funciona.</p> <p>E. El control no funciona.</p>	<p>A. Deje enfriar el agua de la bañera.</p> <p>B. Encienda el calentador.</p> <p>C. Revise que los cables estén correctamente conectados.</p> <p>D. Reemplace el calentador.</p> <p>E. Reemplace el control.</p>
18. Funcionamiento ruidoso.	<p>A. Las cintas metálicas de la bomba no se han cortado.</p> <p>B. El arosello (O-ring) del jet está mal colocado o seco (ruidoso).</p>	<p>A. Corte las cintas metálicas con unas tijeras para chapa.</p> <p>B. Extraiga el jet, reemplace y lubrique el arosello (O-ring); vuelva a instalar el jet.</p>
19. El control remoto (si está equipado) no funciona.	<p>A. Pilas mal instaladas o descargadas.</p> <p>B. La antena del arnés de cables está dañada.</p> <p>C. El control remoto no se ha programado correctamente.</p> <p>D. El control remoto no funciona.</p> <p>E. El control no funciona.</p>	<p>A. Reemplace las pilas.</p> <p>B. Reemplace el arnés de cables.</p> <p>C. Consulte la guía del usuario o el manual de mantenimiento.</p> <p>D. Reemplace el control remoto.</p> <p>E. Reemplace el control.</p>

Guía para resolver problemas de las luces de cromoterapia - los modelos H2 solamente

Síntomas	Causas probables	Acción recomendada
20. Las luces de cromoterapia no funcionan.	<p>A. Los cables/conexiones están flojos, desconectados o dañados.</p> <p>B. El control no funciona.</p>	<p>A. Revise que los cables estén correctamente conectados. Reemplace los cables de ser necesario.</p> <p>B. Reemplace el control.</p>

USA: 1-800-4-KOHLER
Canada: 1-800-964-5590
México: 001-877-680-1310

kohler.com

THE BOLD LOOK
OF **KOHLER**®

©2007 Kohler Co.

1022205-2-C