

Features

- Vitreous china
- Undercounter
- ADA compliant when installed in a 21" (53.3 cm) minimum depth countertop
- With or without overflow
- Includes 52047 clamp assembly
- 18" (45.7 cm) x 12" (30.5 cm) (K-2214, K-2214-G)
- 21" (53.3 cm) x 14" (35.6 cm) (K-2215)

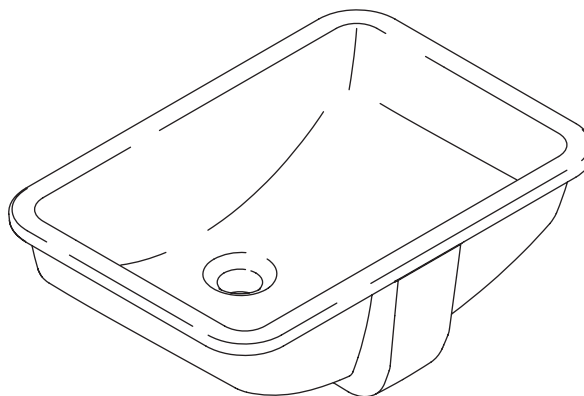
UNDERCOUNTER LAVATORY **K-2214** ALSO K-2215

ADA

Codes/Standards Applicable

Specified model meets or exceeds the following:

- ASME A112.19.2
- IAPMO/UPC
- CSA B45
- ICC/ANSI A117.1
- ADA



Colors/Finishes

- 0: White
- Other: Refer to Price Book for additional colors/finishes

Accessories:

- CP: Polished Chrome
- Other: Refer to Price Book for additional colors/finishes

Specified Model

Model	Description	Colors/Finishes	
K-2214	18" (45.7 cm) x 12" (30.5 cm) undercounter lavatory with overflow	<input type="checkbox"/> 0	<input type="checkbox"/> Other_____
K-2214-G	18" (45.7 cm) x 12" (30.5 cm) undercounter lavatory with glazed underside, less overflow	<input type="checkbox"/> 0	<input type="checkbox"/> Other_____
K-2215	21" (53.3 cm) x 14" (35.6 cm) undercounter lavatory with overflow	<input type="checkbox"/> 0	<input type="checkbox"/> Other_____
Recommended Accessories			
K-8998	Adjustable P-Trap	<input type="checkbox"/> CP	<input type="checkbox"/> Other_____

Product Specification

The undercounter lavatory shall be made of vitreous china. Lavatory shall be ADA compliant when installed in a 21" (53.3 cm) minimum depth countertop. Lavatory shall be with overflow (K-2214, K-2215) or less overflow (K-2214-G). Lavatory shall include clamp assembly. Lavatory shall be 18" (45.7 cm) in length and 12" (30.5 cm) in width (K-2214, K-2214-G), or 21" (53.3 cm) in length and 14" (35.6 cm) in width (K-2215). Lavatory shall be Kohler Model K-_____-_____- or K-2214-G-_____.

LADENA™

Technical Information

Fixture*:	Basin area	Water depth	Drain hole
K-2214, K-2214-G	18" (45.7 cm) x 12" (30.5 cm)	4-5/8" (11.7 cm)	1-3/4" (4.4 cm) D.
K-2215	21" (53.3 cm) x 14" (35.6 cm)	4-5/8" (11.7 cm)	1-3/4" (4.4 cm) D.

* Approximate measurements for comparison only.

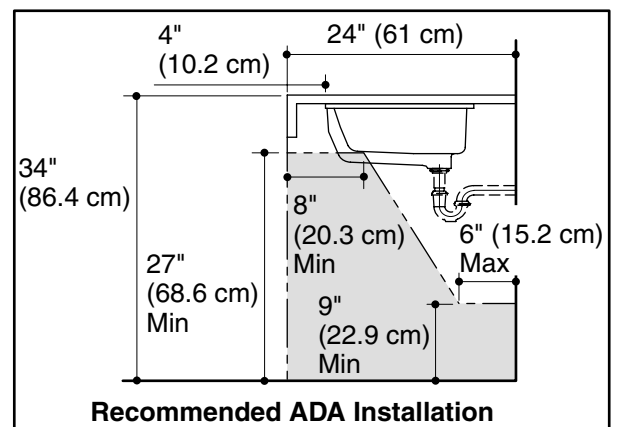
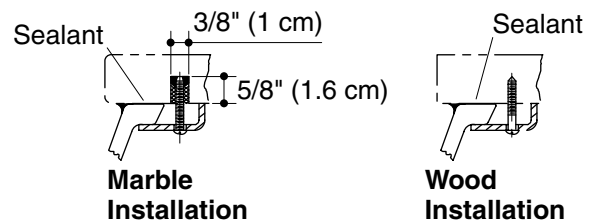
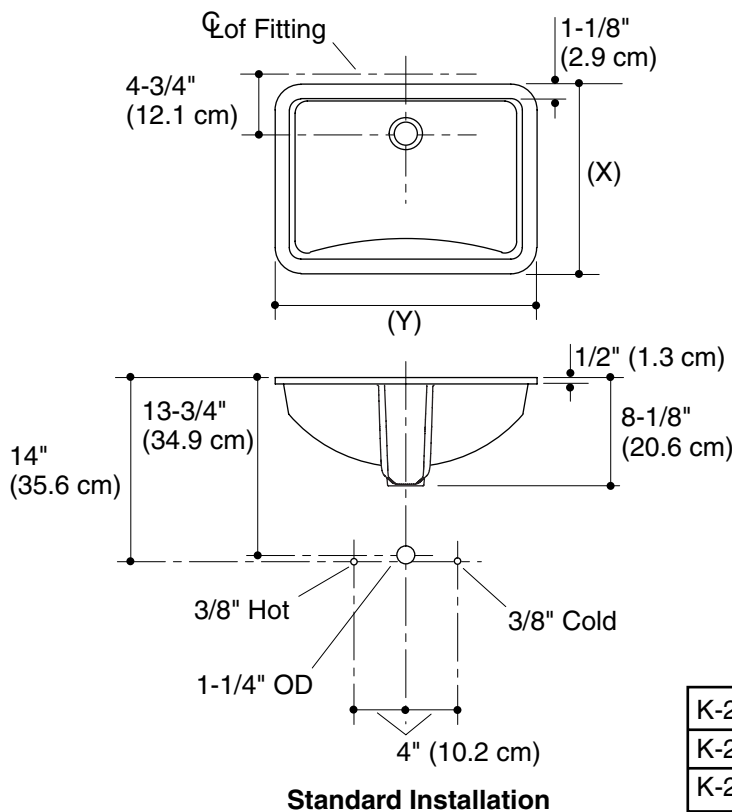
Included components:	
Basin clamp assembly	52047
Cut-out template, K-2214 and K-2214-G	1053195-7
Cut-out template, K-2215	1002977-7

Installation Notes

Install this product according to the installation guide.

Supplied basin clamp assemblies require 1" (2.5 cm) minimum countertop thickness. Installer must supply anchors for thinner countertops.

The product diagram is based on the K-8998 adjustable P-Trap with 1" (2.5 cm) of tailpiece exposed.



K-2214: (X)= 14-3/8" (36.5 cm), (Y)= 20-7/8" (53 cm)
K-2214-G: (X)= 14-3/8" (36.5 cm), (Y)= 20-7/8" (53 cm)
K-2215: (X)= 16-1/4" (41.3 cm), (Y)= 23-1/4" (59.1 cm)

Product Diagram