

CONTEMPORARY RAIN

**SHOWERHEAD
K-10121**

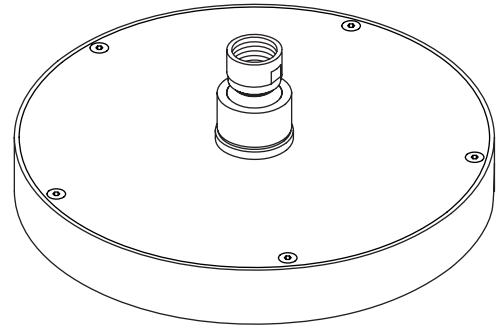
Features

- Brass construction
- 75 nozzles that prohibit mineral buildup
- 2.5 gallons (9 L) per minute flow rate
- 1/2" - 14 NPT connection

Codes/Standards Applicable

Specified model meets or exceeds the following:


- ASME A112.18.1



Colors/Finishes

- CP: Polished Chrome

Specified Model

| Model | Description | |
|-----------------------------|-----------------------------------|---|
| K-10121 | Contemporary Rain showerhead | <input type="checkbox"/> CP |
| Optional Accessories | |  |
| K-10124 | Right-angle shower arm and flange | <input type="checkbox"/> CP |

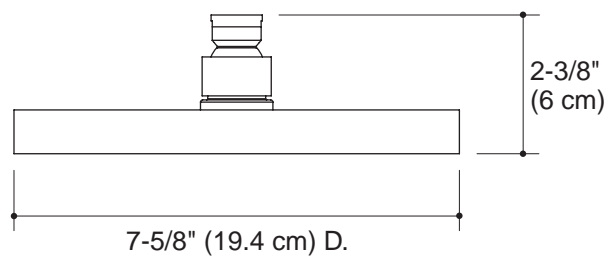
Product Specification

The brass showerhead shall have a flow rate of 2.5 gallons (9 L) per minute. Showerhead shall have faceplate with 75 nozzles that prohibit mineral buildup. Showerhead shall have a 1/2"-14 NPT connection. Showerhead shall be Kohler Model K-10121-_____.

CONTEMPORARY RAIN

Installation Notes

Install this product according to the installation guide.



Product Diagram