

PL4260N—HP 42" High Definition Plasma TV

Datasheet



Experience the brilliance of HP's Video Fidelity on a 42" HP Plasma TV.



HP delivers decades of color science and technological leadership in a stylish high-definition¹ TV.

You'll get exceptional image accuracy with deep blacks and bright, clear pictures that bring the finest details to life thanks to an advanced video engine that offers dynamic contrast adjustment and photorealistic sharpness enhancement. These HP televisions also feature a 3D color enrichment system that reproduces accurate flesh tones and vivid colors. Delivering up to 10,000:1 contrast², HP plasma TVs deliver the detail and color that HP is known for.

Fantastic sound emanates from two detachable speakers. Each three-way bass-reflex speaker delivers powerful sound through two woofers and a tweeter. HP's high fidelity speaker system is complemented by SRS WOW[®] audio processing technology, which enhances vocal clarity and bass performance for an immersive sound experience.

Included is a comprehensive array of digital and analog inputs, including an integrated HDTV Tuner, HDMI, and component-video ports. Analog and digital audio output connectors enable seamless connectivity to external audio speakers or an audio receiver.

Perfect for nearly any décor, the panel features a subtle design with a classic black finish. The tabletop stand is sleek and stylish, and is detachable for wall mounting.³

- 3D Color Enrichment System reproduces vibrant colors and natural skin tones
- Photorealistic Sharpness Enhancement yields crystal-clear and sharp pictures

- Dynamic contrast adaptation adjusts picture quality on a scene by scene basis
- Motion Adaptive Noise Reduction greatly reduces visual noise without reducing detail
- Enjoy DVDs and standard-definition TV on a big screen thought advanced scaling and film-processing technology
- Integrated Digital HDTV/Analog tuner—get HD shows from cable and off-the-air sources
- HDMI port—enables digital video and audio through a single cable
- PC input port enables direct connectivity to a Media PC
- Ultra-long life panel—up to 60,000⁴ hours of operation
- ENERGY STAR[®] qualified TV



HP Total Care is a J.D. Power and Associates Certified Technology Service and Support Center, recognized for consistently providing "An Outstanding Customer Service Experience."

¹ High definition (HD) source content varies and will depend on source input, signal, aspect ratio and other factors. HD content may require separately purchased service contract or other fees. HD content may not be available in your service area, check with service provider.
² All specifications represent the typical specifications provided by HP's component manufacturers; actual performance may vary either higher or lower.
³ Wall mounting hardware kit sold separately.
⁴ The life is determined as the time at which luminance is 50% compared to that of initial value at the typical lamp current on condition of continuous operation at 25±°C. 60,000 hours equates to more than twenty-three years at seven hours a day viewing.

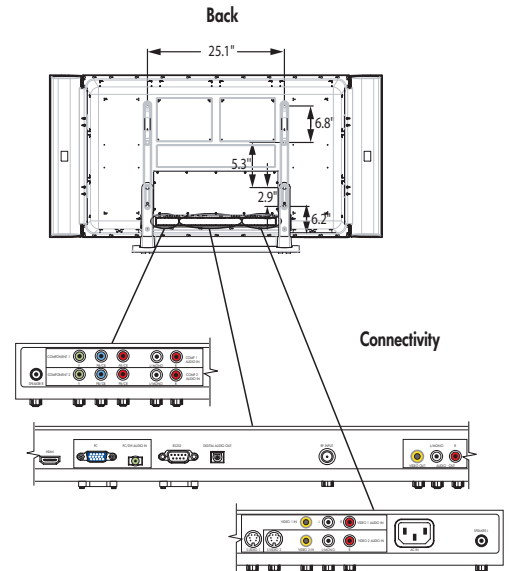
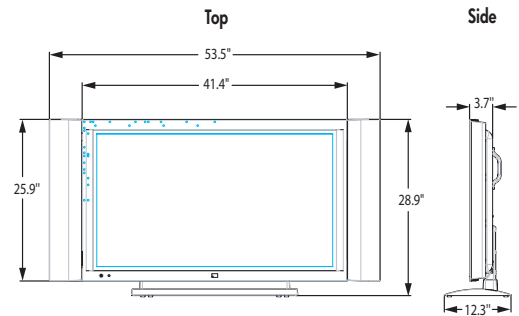


Technical specifications

Video	
Resolution	1024 x 768
Contrast Ratio	Up to 10,000:1 ¹
Panel life	Up to 60,000 hours ²
Tuning	
ATSC/NTSC/Clear-QAM	1
Video Enhancers	
Digital comb Filter	Yes
Video Noise Reduction	Yes
3:2 Pull-down	Yes
Auto Brightness Enhancer	Yes
Fine Detail Enhancement	Yes
Vivid Color Enhancer	Yes
Burn-in Protection	
White wash	Yes
Audio	
No. of Speakers	2 x 3 (1 tweeter, 2 woofers)
Audio Output	2 x 8 W
Dolby Digital	Yes
Surround Sound	SRS WOW
Connectivity	
HDMI	1
Component In	2
S-Video In	2
Composite Video In	2
PC input	1 (RGB-VGA)
Antenna In (RF)	1
PC or HDMI Audio In	1
Analog Audio In	4
Digital Audio Out	1
Video Out (Composite)	1
Audio Out (Analog)	1
RS-232	1
Convenience	
V-chip	Yes
Closed Captioning	Yes
Sleep On/Off	Yes

- All specifications represent the typical specifications provided by HP's component manufacturers; actual performance may vary either higher or lower.
- The life is determined as the time at which luminance is 50% compared to that of initial value at the typical lamp current on condition of continuous operation at 25±°C. 60,000 hours equates to more than twenty-three years at seven hours a day viewing.

Fit/Finish	
Bezel Color	Black
Bezel Finish	Metallic Black
Accessories	
Stand	Detachable (Included)
Speakers	Detachable (Included)
Remote	Included
Wall-mounts	Optional/recommended
Media Center/DEC	Optional/recommended
Warranty	
Parts & Labor	1 Year
Extended Warranty (3 years)	Optional/recommended
General	
Power Supply	120V AC 60Hz
Power Consumption	340W
Dimensions—with speakers and stand (H x W x D)	28.9" x 53.5" x 12.3"
Dimensions—with speakers, without stand (H x W x D)	25.9" x 53.5" x 3.7"
Dimensions—without speakers and without stand (H x W x D)	25.9" x 41.4" x 3.7"
Weight—with speakers and stand	88.2 lb
Weight—with speakers, without stand	82.5 lb
Weight—without speakers and without stand	76.7 lb



"Dolby" and the double-D symbol are trademarks of Dolby Laboratories.
 HDMI, the HDMI logo and High-Definition Multimedia Interface are trademarks or registered trademarks of HDMI Licensing LLC.
 SRS WOW is a registered trademark of SRS Labs.
 ENERGY STAR is a registered mark of the United States Environmental Protection Agency.
 J.D. Power and Associates Certified Technology Service and Support Program, developed in conjunction with the Service & Support Professionals Association (SSPA). For more information, visit www.jdpower.com or thesspa.com
 HP is a registered trademark of the Hewlett Packard Company. All other trademarks are the property of their respective owners.
 ©2005 Hewlett-Packard Development Company, L.P.
 The information contained herein is subject to change without notice and is provided "as is" without warranty of any kind. HP shall not be liable for technical or editorial errors or omissions contained herein.

For more information visit our website at www.hp.com

02/03/2006_r1 fq

