

SERVICES SPECIFICATIONS

WATER CONNECTION

Recommended HOT (Maximum 140°F/60°C).
Supplied hose to suit 3/8" male compression fitting.

WATER SOFTENER MODELS

Refer to your DishDrawer® User Guide for how to set up your water softener.

WATER PRESSURE

	Maximum	Minimum
Water Softener Models	145 p.s.i. (1000kPa)	14.5 p.s.i. (100kPa)
Other Models	145 p.s.i. (1000kPa)	4.3 p.s.i. (30kPa)

DRAIN CONNECTION

Drain Hose Joiner to suit Ø3/4" ± 5/64", Ø5/8" ± 5/64" and Ø1" ± 5/64" waste tees.

ELECTRICAL CONNECTION

110-120 VAC power outlet, 9 Amps Minimum.

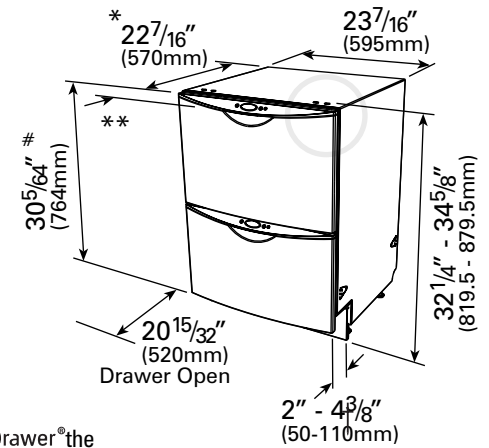
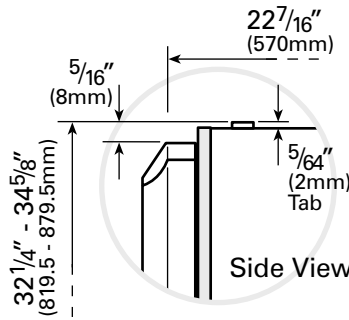
LENGTH OF SERVICES (FROM PRODUCT EXIT POINT)

Drain hose - 88 9/16" (2250mm)

Inlet hose - 68 7/8" (1750mm)

Power supply cord - 44" (1965mm)

NOTE: Services approximately exit product 7 7/16" (189mm) from left; 21 5/8" (550mm) from front; 31 1/4" (793mm) from top.



Prefinished model shown

* For an Integrated DishDrawer® the product depth is specified with an 1 1/16" (18mm) Integrated Panel thickness.

** Depth of product excludes Curvature 1 3/16" (30mm) Prefinished only, or Handle.

† TOE KICK DEPTH

Prefinished & Flat Door Kit 2"-4 3/8" (50-110mm);

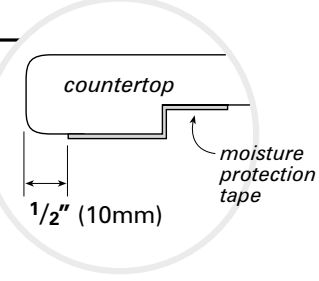
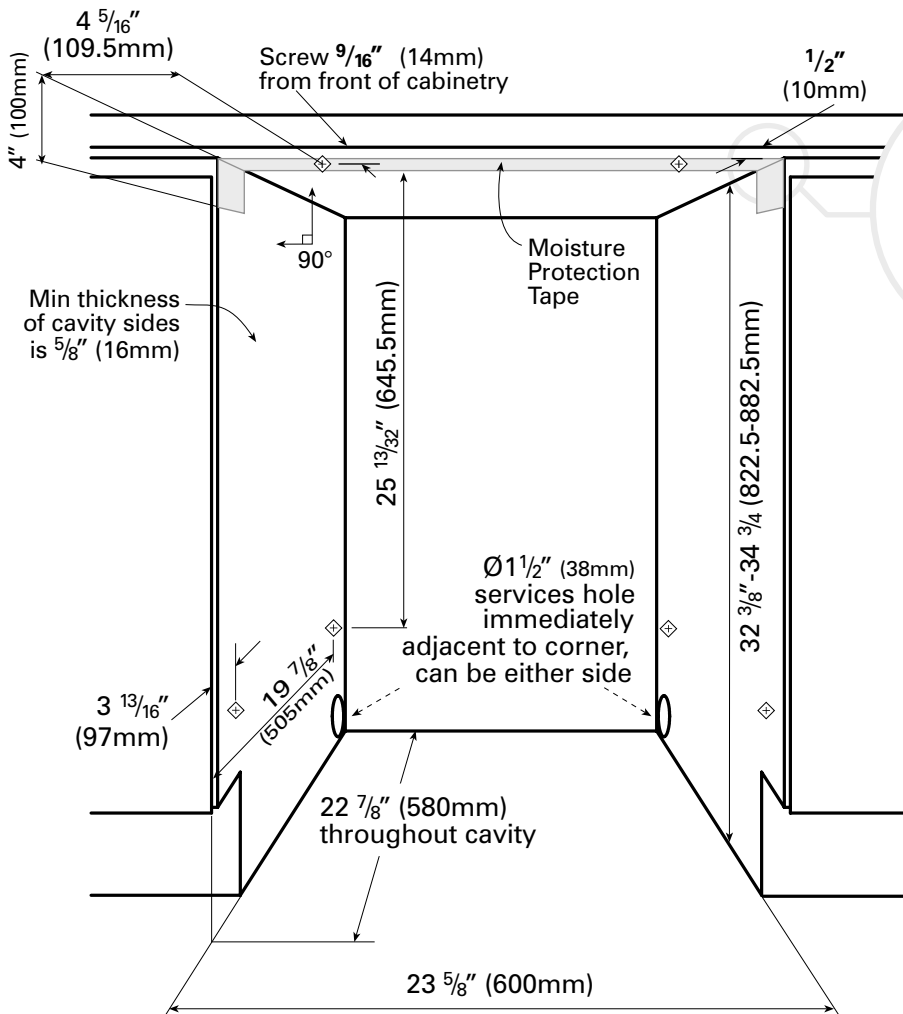
Integrated 5" (127mm) less the Toe Kick Panel thickness. Minimum Panel thickness using the supplied screws is 3/8" (9mm).

DOOR FRONT HEIGHT

Prefinished & Flat Door Kit 30 5/64" (764mm);

Integrated 28 1/4" (717.5mm) minimum.

THE CAVITY



◆ These marks indicate mounting tab screw locations (refer to step 1 page 7)

NOTE: All depth measurements are taken from the front face of the adjacent cabinetry.

⚠ WARNING!
Be sure the edges of the services hole are smooth or covered. If the services hole is through a metal partition the hole must be protected with the Edge Protector provided to prevent damage to the power cord or hoses.