

DUOTRIMKIT Installation Instructions

Please read these instructions thoroughly before beginning to install the trim kit.

Tool List: Have these on-hand before starting installation.

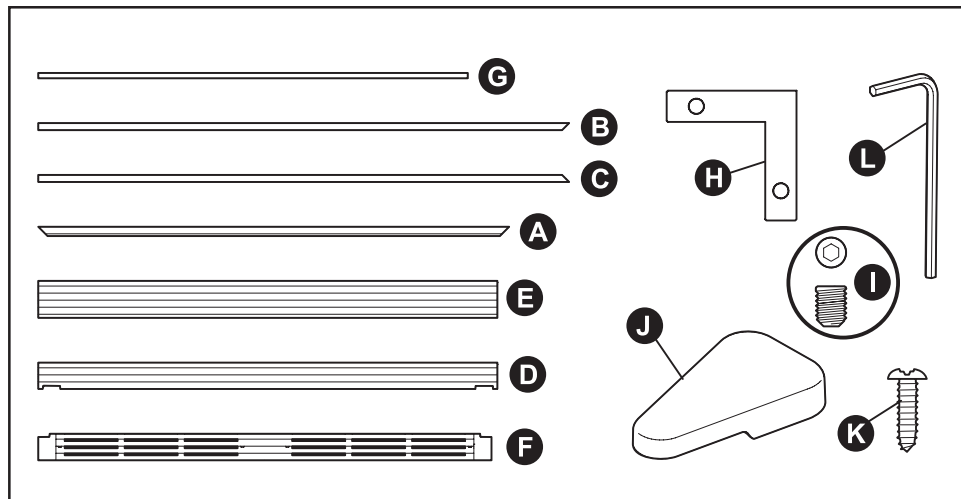
| | |
|-------------------------------|------------------------|
| Phillips Screwdriver | Tape (duct or masking) |
| Shims - Wooden or Plastic | Carpenter's Level |
| Tape Measure (min. 7' length) | Drill & 1/8" bit |
| Safety Glasses | |

You should have received the following items with your collar kit option:

| | Item | Part # | Qty |
|----------|----------------------|-----------|-----|
| A | Top Trim | 297032600 | 1 |
| B | Left Hand Side Trim | 297032701 | 1 |
| C | Right Hand Side Trim | 297032700 | 1 |
| D | Small Grille | 297032900 | 1 |
| E | Large Grille | 297032800 | 1 |
| F | Toe Grille | 297034500 | 1 |
| G | Center Strip | 297034800 | 1 |

Plastic bag contains the following:

| | | | |
|----------|----------------------------------|-----------|---|
| H | Corner Brackets "L" shaped | 297034600 | 2 |
| I | Set Screws (for corner brackets) | 297034700 | 4 |
| J | Hinge Covers (silver plated) | 216809002 | 2 |
| K | Phillips Head Screws - #8 x 3/4" | 050149 | 7 |
| L | Allen Head Wrench | 1006 | 1 |



Before you begin:

- Be careful when unpacking components. Do not use sharp objects when removing packaging material. This may scratch the surface of trim components.
- Make sure that your rough opening is 66" wide by 75" tall (from top of flooring) by at least 25-1/4" deep from the cabinet's front face. Outside dimensions of the installed kit are 66-3/4" wide by 75-1/4" high.
- Make sure there is a large, clear area of floor (approx. 12' by 7') to assemble the trim kit. Place a drop cloth over the floor to prevent scratching of the trim kit and/or floor.
- Use extreme care when handling the metal trim pieces. Corners are very sharp and easily damaged if dropped.

Always wear Safety Glasses when working with power tools and sharp objects.

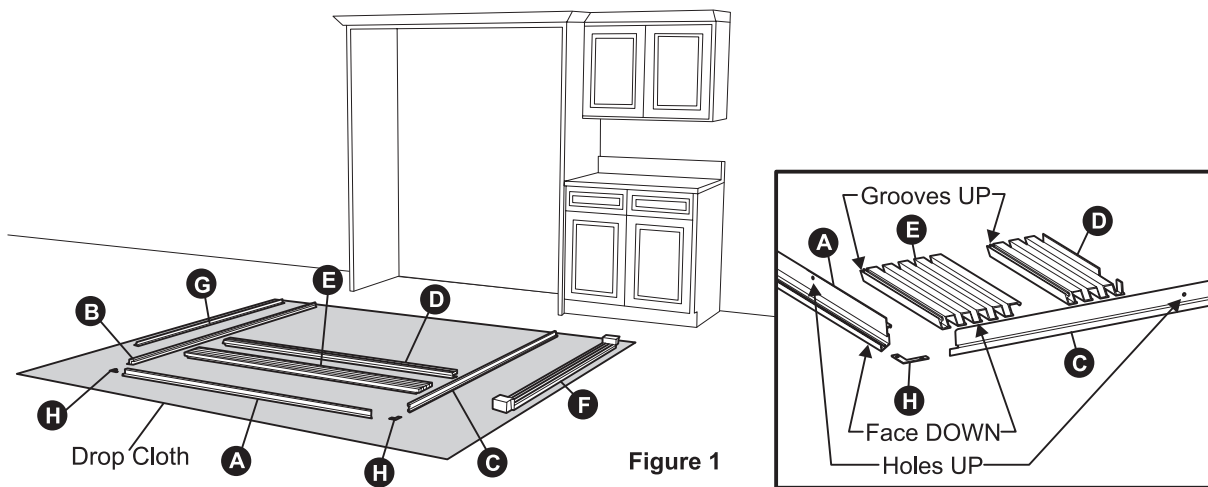


Figure 1

1. Lay the parts out on a cleared area face down. See Figure 1.

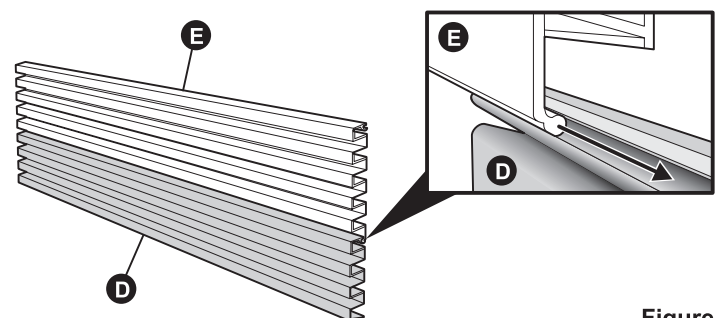


Figure 2

2. Slide large grille (E) and small grille (D) together. See Figure 2. Make sure ends are flush then tape together to prevent parts from sliding.

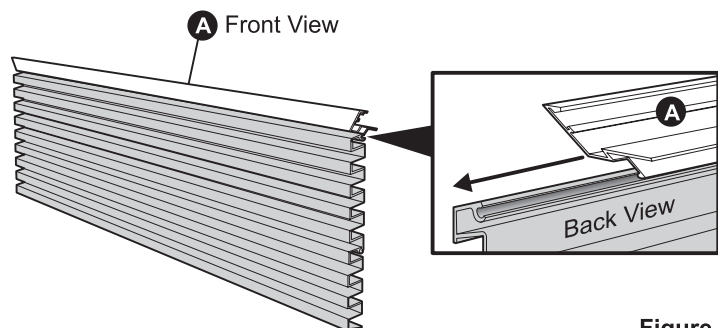
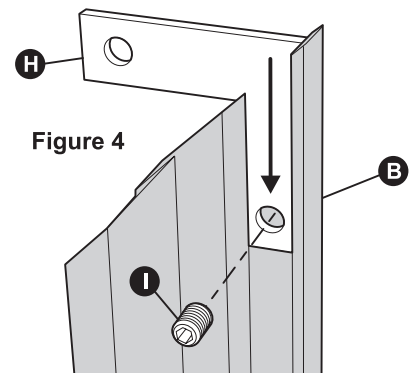


Figure 3

3. Slide grille assembly into top trim(A). See Figure 3. Tape together to prevent parts from sliding.

4. Attach brackets (H) to the angled end of each side trim (B and C). Gently secure brackets to side trim by tightening set screws (I), only until snug to avoid dimpling the extrusion face. See Figure 4. **DO NOT OVERTIGHTEN.**



5. Join each side trim (B and C) to the top trim (A). Make sure the ends of the Grille Assembly are captured in the channel of each side trim, then tape in place. Gently secure brackets (H) to top trim (A) by tightening set screws (I), only until snug to avoid dimpling the trim face. See Figure 5. **DO NOT OVERTIGHTEN.**

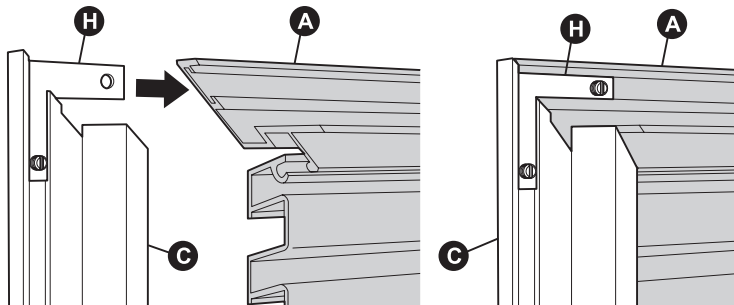


Figure 5

Installing Trim & Grille Assembly Into Cabinetry

1. First, place protective covering where side trim will contact the floor near rough opening. Then, stand up the grille and frame assembly and center in rough opening. See Figure 6. You may need to use several pieces of tape at the top corners and top center to temporarily hold the assembly in place.

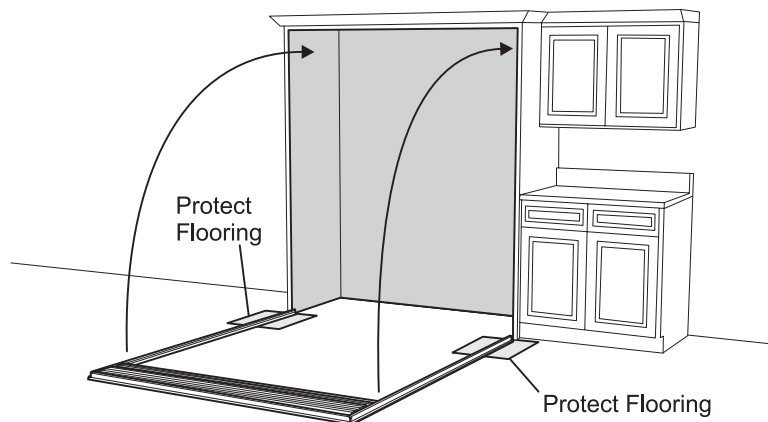


Figure 6

2. Making sure the frame is flush up against the front surface of cabinetry, carefully run one mounting screw (K) through the center hole of the top trim (A) and into the cabinetry. **Do not tighten at this time.**

NOTE: Some cabinet substrates may require pre-drilling holes using a 1/8" diameter drill bit.

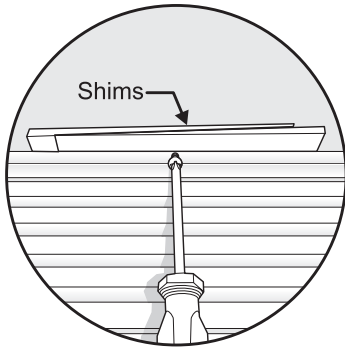
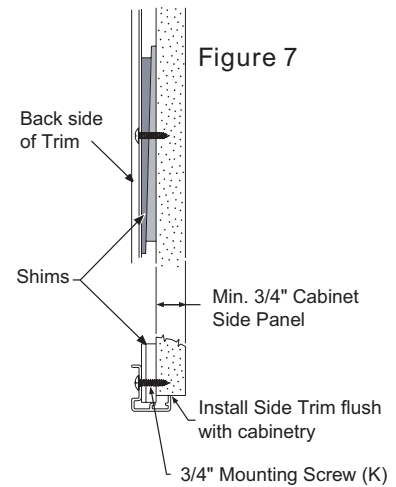
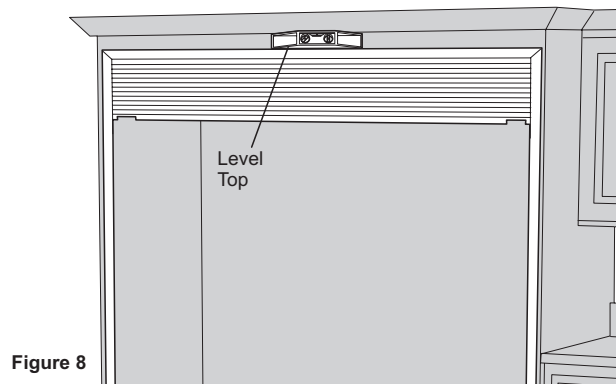


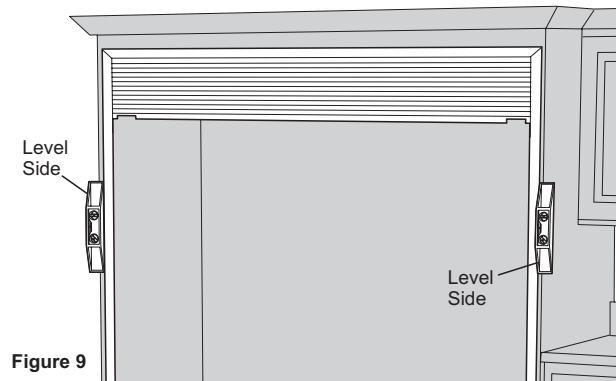
Figure 7A
(taken from inside the rough opening; backside of grille showing)



3. Level the top of the trim frame using a carpenter's level. See Figure 8. Shim as necessary. (Shims not included.) See Figures 7 and 7A. Next, secure both ends of top trim (A) to cabinetry using two 3/4" mounting screws (K) through the holes at each end. Make sure all three screws are snug across the top.



4. Using a carpenter's level, check that each side is vertical. Shim as necessary. Next, secure top and bottom of each side trim to cabinetry using two 3/4" mounting screws (K). See Figure 9.



Positioning Refrigerator and Freezer

1. Each unit should have four leg levelers installed (one at each corner). If necessary, lay each unit down on its back in order to install the two rear leg levelers included inside each unit.

Leg Leveler Adjustments:

- a. One full turn of all four leg levelers will raise door 5/32".
 - b. One full turn of both front leg levelers will raise door 3/16" and tilt top of door back 7/16".
 - c. One full turn of both rear leg levelers will lower door 1/32" and tilt top of door forward 7/16".
 - d. One full turn of both side leg levelers will raise door 3/16" and tilt top of door 3/8".
2. Position the two units in front of the trimmed opening (Freezer on the left, Refrigerator on the right).

3. Remove the black plastic top hinge covers and replace with the silver hinge covers (J).
4. Remove toe grille panels at bottom of each unit. Save the four screws as they will be used later in the installation.
5. Place a carpenter's level across the top of the door. Using a tape measure, adjust leveling feet so that each door is level and to a height of 65-5/16" across top front edge of door. See Figure 10.
6. Place a carpenter's level vertically on the front of the door and level so that front surface of door is vertical. Re-check to make sure top front edge of door is still at a height of 65-5/16". Adjust as necessary. See Figure 11.
7. Slide units into place one at a time. Recheck level for each unit. Connect the ice maker water line (if so equipped) and plug power cords into their receptacles prior to pushing unit fully into place. If your receptacle is not centered in the space, make sure to slide the unit on the side opposite the receptacle into place first.

Figure 10

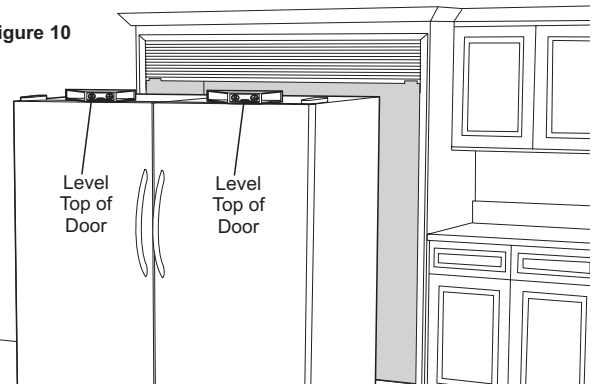


Figure 11



8. Recheck the level of each unit. Depending on the flatness of your floor, you may need to remove each unit and readjust several times before achieving an acceptable state of levelness and alignment. Allow 3/8" gap between units for center trim (G). See Figure 13.
9. Attach metal toe grille (F) using the four screws saved during removal of the plastic grille panels in Step 4. It may help to open doors of both units to aid alignment of screws. Run screws through the left-most and right-most grille holes and tighten until slightly snug. Next, install two inner screws but do not fully tighten. Adjust so the top of toe grille is parallel with the bottom of both doors and then tighten all four screws. See Figure 12.
10. Install the magnetic center trim piece (G) in the gap between both units. See Figure 13. Trim piece should be flush with tops of units and fit snugly on top of toe grille.

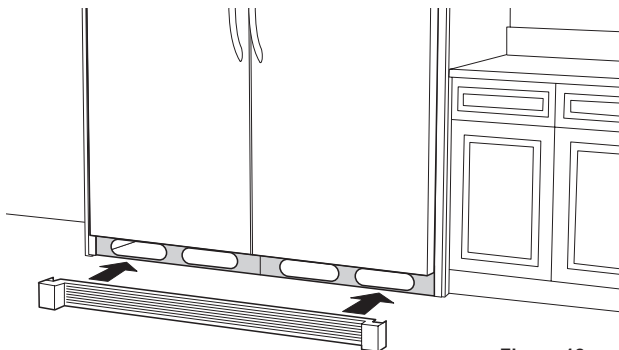


Figure 12

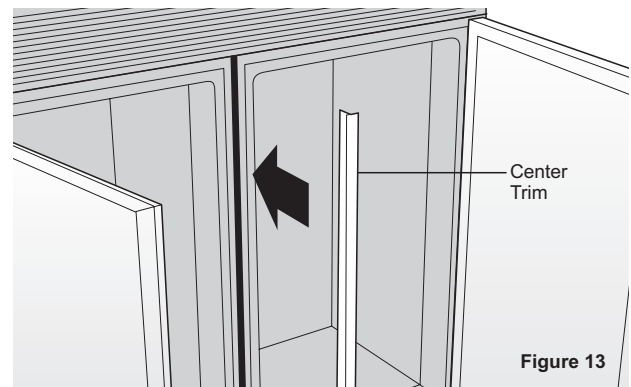


Figure 13

Care & Cleaning of Your Trim Kit

The trim and grille kit surfaces are best cleaned with a cotton cloth dampened with a mixture of water and mild detergent. Avoid abrasive cleansers as they will mar the surface of the metal components.