

SAVE AND READ THESE INSTRUCTIONS

TESTED IN ACCORDANCE WITH THE LATEST EDITION OF ANSI Z21.58-1998, CGA 1.6-M98 STANDARD FOR OUTDOOR GAS COOKING APPLIANCES. IN CANADA: INSTALLATIONS MUST BE IN ACCORDANCE WITH THE CURRENT CAN/CGA-B149.1. NATURAL GAS INSTALLATION CODE CAN/CGA-B149.2. PROPANE INSTALLATION CODE AND/OR LOCAL CODE.

CONVENTIONS USED IN THESE INSTRUCTIONS



WARNINGS:

Must be followed carefully to avoid personal injury.



IMPORTANT:

Must be followed carefully to avoid damage.



NOTES:

Contain helpful hints and tips to facilitate the installation.

IMPORTANT

1. Before beginning installation, please thoroughly read and become familiar with these instructions.
2. Installation and service must be completed by a qualified installer or service agency.
3. Installer: Please leave these Installation Instructions with the owner.
4. Owner: Please keep these instructions for local electrical inspector's use and for future reference.
5. Read the accompanying Use & Care Manual prior to operating this appliance.

TABLE OF STEPS

STEP 1	Verifying the package contents	Page 2
STEP 2	Planning installation - base construction structure with access doors	Page 2-4
	Planning installation - cart	Page 5
STEP 3	Gas and electrical supply requirements	Page 6-7
STEP 4	Gas connections	Page 7-8
STEP 5	Connecting the electrical	Page 8-9
STEP 6	Verifying proper operation	Page 9

FOR YOUR SAFETY

If you smell gas:

1. Shut off gas to the appliance.
2. Extinguish any open flame.
3. Open lid.
4. If odor continues, immediately call your gas supplier or your fire department.

FOR YOUR SAFETY

1. Do not store or use gasoline or other flammable vapors and liquids in the vicinity of this or any other appliance.
2. An LP cylinder not connected for use shall not be stored in the vicinity of this or any other appliance.



WARNINGS:

1. Read all instructions before using the appliance.
2. If the information in this manual is not followed exactly, a fire or explosion may result causing property damage, personal injury, or death.
3. Improper installation, adjustment, alteration, service, or maintenance can cause personal injury or property damage. Refer to these instructions and the accompanying Use & Care manual. For assistance or additional information, consult a qualified installer, service agency, manufacturer (dealer), or gas supplier.
4. This outdoor cooking gas appliance is not intended to be installed in or on a recreational vehicle and/or boats.
5. Do not obstruct the flow of combustion and ventilation air.
6. Keep the ventilation openings for the LP cylinder free and clear from debris.
7. Clean outdoor cooking appliances, including special surfaces, with recommended cleaning agents. Refer to the Use and Care manual included with this appliance.
8. Check and clean the burner/venturi tubes for insects and insect nests. A clogged tube can lead to a fire beneath the grill.
9. Outdoor gas cooking appliances shall be used only outdoors and shall not be used in a building, garage, or any other enclosed area.
10. Never use this appliance to warm or heat a room.
11. Do not install this appliance with surface (downdraft) ventilation systems.
12. Do not install this appliance under unprotected overhead combustible materials.
13. Disconnect the electrical supply before installing or servicing this appliance.
14. This appliance must be grounded. Connect only to a properly grounded electrical supply. Never use an extension cord to operate this appliance.
15. Do not operate this appliance with a damaged electrical cord or plug.
16. As with any appliance, close supervision is necessary when used by children.
17. Installation of this appliance must be performed by a qualified installer, service agency, or gas supplier.
18. Excessive weight warning. Use two or more people to move and install this product. Failure to follow these instructions can cause injury.
19. This appliance should be serviced only by qualified service personnel. Contact the nearest Dacor authorized servicer at (800) 772-7778, or at www.dacor.com for examination, repair or adjustment.
20. Keep outdoor cooking gas appliance areas clear and free from combustible materials, gasoline and other flammable vapors and liquids.
21. Inspect gas hose and regulator assemblies before each use of the outdoor cooking gas appliance.

STEP 1

Verifying the Package Contents

EOG303/36/52 Models

- Grease Tray
- Smoker Tray
- Warming Rack
- Regulator
- Match Holder
- Grills
- Rotisserie - forks - rod - motor
- cleaning cream
- light lens prystick
- Even Heat Channels

EOG52 & EOSB162 Models

- burner grate, caps, and cover

STEP 2

Planning Installation - Base Construction Structure



WARNINGS:

1. To reduce the risk of personal injury caused by reaching over a hot appliance, cabinet storage space located directly above the outdoor grill should be avoided.
2. Do not store combustible materials or items adversely affected by heat in cabinet areas around the grill.
3. Failure to provide proper clearances as noted in this installation instruction may result in a fire hazard.
4. The back edge of the grill must maintain a minimum clearance (8 inches/203mm) from combustible back splash materials. This will require special cabinet and countertop dimensions.
5. Do not install the grill in a laminate, or synthetic, solid surface countertop material.
6. This installation must conform local codes or, in the absence of local codes, with either the National Fuel Gas Code, ANSI Z223.1, or CAN/CGA-B149.1, Natural Gas Installation Code, or CAN/CGA-B149.2, Propane Installation Code.
7. Prevent grill combustion products from being drawn into a building through fresh air inlets.
 - The venting system of other than a direct-vent appliance shall terminate at least 4 feet (1.2m) below, 4 feet (1.2m) horizontally from, or 1 foot (305mm) above any door, window, or gravity air inlet into any building. The bottom of the vent terminal shall be located at least 12 inches (305mm) above grade.



NOTES:

1. A MINIMUM clearance of 8 inches (203mm) must be maintained, above the countertop material, from all vertical materials constructed on the sides or behind the outdoor grill chassis and canopy. See detailed illustrations on page 3.
2. A MINIMUM clearance of 1/4 inch (6.4mm) must be maintained, inside the base enclosure below the countertop material, from all vertical surfaces on the sides of the outdoor grill.
3. A MINIMUM clearance of 1 inch (25.4mm) must be maintained, inside the base enclosure and below the countertop material, from all vertical surfaces behind the outdoor grill chassis.
4. Plan the installation so that the electrical connection, gas shut-off valve, and pressure regulator are accessible inside the base enclosure.
5. All MINIMUM electrical and gas dimensions are illustrated in the drawings within this manual. Utility dimensions apply to all models unless otherwise noted.
6. All models are designed to allow installation in combustible or non-combustible base material structures.
7. Locate the electrical supply box within reach of the 48 Inch (1219mm) long power cord so the connection is accessible when the grill is completely installed in the enclosure.
8. For self contained LP-gas supply systems refer to the detail in the Gas installation section of this manual.
9. LP-gas cylinders should be ventilated by openings at the level of the cylinder valve and the floor level. The effectiveness of the openings, for purposes of ventilation, shall be determined with the LP-gas supply cylinder in place.

Plan the installation so that the electrical connection, gas shut-off valve, and pressure regulator are accessible inside the base cabinet structure. Refer to the enclosure illustrations in this manual for details concerning the construction of Natural Gas and LP-Gas supply system base structures.

All models are designed to allow installation in combustible or non-combustible base material structures. Refer to installation illustrations, in the following pages, for base cabinet details and for surrounding surface clearances at the countertop and above.

STEP 2

Planning Installation - Base Construction Structure (continued)

Locate the electrical supply box within reach of the 48 inch (1219mm) long power cord so the connection is accessible when the grill is completely installed in the enclosure.

For self contained LP-gas supply systems, refer to the detail in the Gas Installation section of this manual.

LP-gas cylinder shall be ventilated by openings at the level of the cylinder valve and the floor level. The effectiveness of the openings for purposes of ventilation shall be determined with the LP-gas supply cylinder in place. Refer to installation details in this manual.

Plan to install the grill in a base structure that has one of the following structural details:

1. One side of the base structure enclosure completely open.
2. For an enclosure having four sides, a top, and bottom:
 - At least two ventilation openings at cylinder valve level shall be provided in the side wall, equally sized, spaced at 180 degrees and unobstructed.
 - Each opening shall have a total free area of not less than 10 square inches (254 square mm).
 - Ventilation openings shall be provided at floor level and shall have a total free area of not less than 10 square inches (254 square mm). If the ventilation openings at floor level are in a side wall, there shall be at least two openings. The bottom of the openings shall be at floor level and the upper edge no more than 5 inches (127mm) above the floor. The openings shall be equally sized, spaced, and unobstructed.

The LP cylinder valve shall be readily accessible for hand operation. A door on the enclosure to gain access to the cylinder valves is acceptable, provided it is non-locking and can be opened without the use of tools.

The enclosure for the LP-gas cylinder shall isolate the cylinder from the burner compartment to provide shielding from radiation, a flame barrier, and protection from foreign materials such as hot drippings.

There shall be a minimum clearance of 2 inches (51mm) between the floor of the LP-gas cylinder enclosure and the ground.

The design of the outdoor cooking enclosure must allow the LP-gas cylinder to be connected, disconnected and the connections inspected and tested outside the cylinder enclosure.

Connections, which may be disturbed when installing the cylinder in the enclosure can be leak tested inside the enclosure.

Internal mounting means shall be provided on the outdoor gas grill for mounting the LP-gas supply cylinder. If the outdoor grill is not in use, the gas must be turned off at the supply cylinder.

Storage of an outdoor grill is permissible only if the cylinder is disconnected and removed from the outdoor cooking appliance.

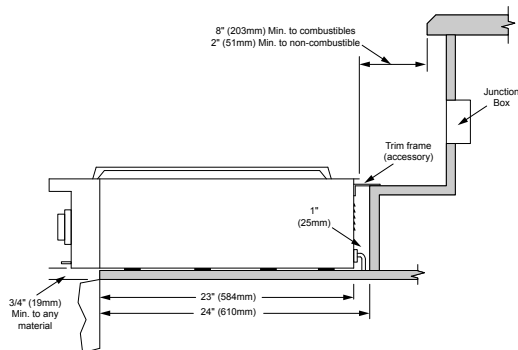
Optional Finish Trim (Model AOGT)

An optional finish trim can be installed on the countertop to finish the sides and back of the countertop opening. The stainless steel finish trim can be caulked to the countertop and should be secured to the base enclosure with flat head decking screws (supplied by others). Center the trim within the cutout dimensions noted in this manual, then utilizing the deck screws and holes located along the vertical sides of the finish trim install them securely to the base enclosure countertop sub-structure. Install the trim before installing the grill.

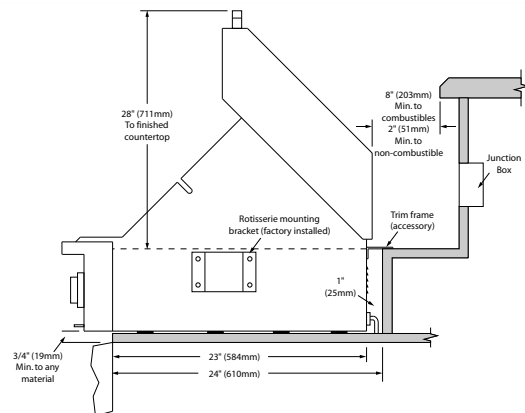


NOTE:

The rotisserie mounting bracket on the right side of the grill chassis and the slot in the right side finish trim must line up for proper rotisserie motor installation. (Selected models only)



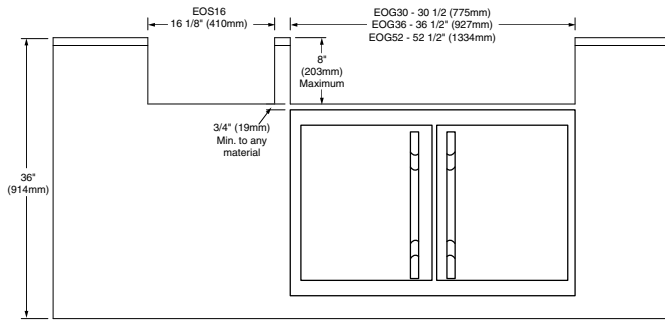
EOSB162 Cutout Dimensions
Side View



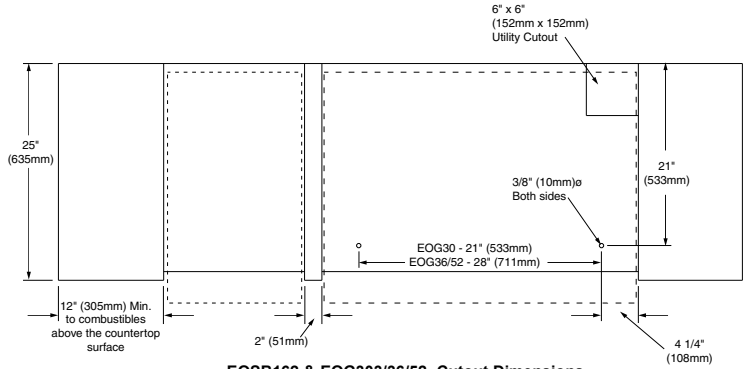
EOG303/36/52 Cutout Dimensions
Side View

STEP 2

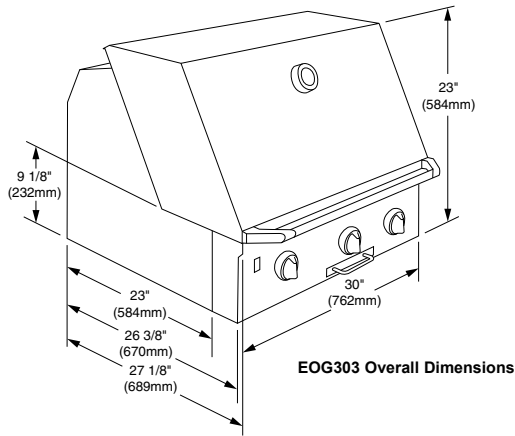
Planning Installation - Base Construction Structure (continued)



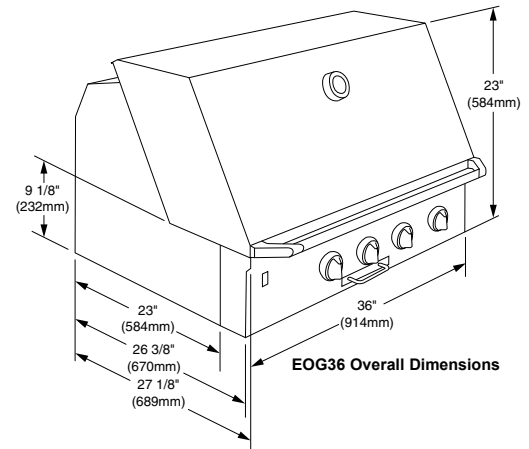
EOSB162 & EOG303/36/52 Cutout Dimensions
Front View
 (AGAD 36" Accessory Door shown)



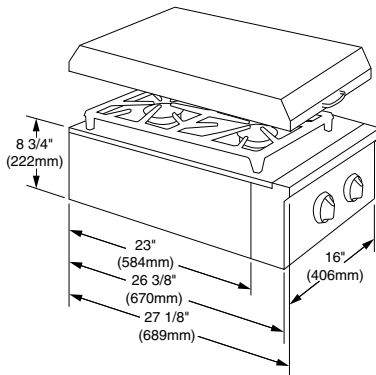
EOSB162 & EOG303/36/52 Cutout Dimensions
Top View



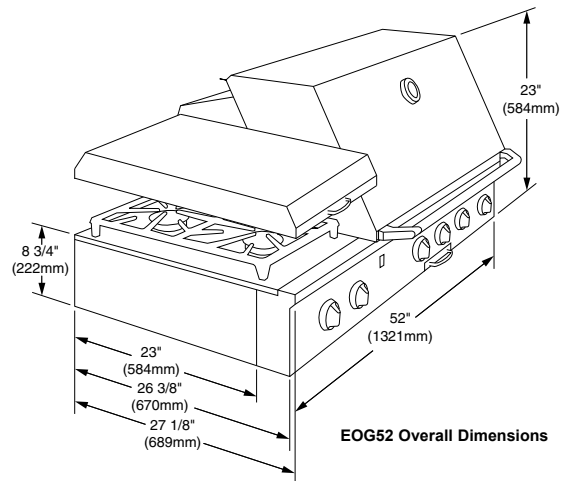
EOG303 Overall Dimensions



EOG36 Overall Dimensions



EOSB162 Overall Dimensions



EOG52 Overall Dimensions

Accessory Doors

SPECIFICATIONS	MEASUREMENTS
Overall Width	AGAD20 - 19 1/2" (495mm) AGAD36 - 35 7/8" (911mm)
Overall Height	21" (533mm)
Overall Depth	1/4" (6mm) deep return on frame edge
Cutout Width	AGAD20 - 16 3/4" (425mm) AGAD36 - 33 1/8" (841mm)
Cutout Height	18 3/4" (476mm)
Cutout Depth	3" (76mm) Minimum

STEP 2 Planning Installation - Cart



IMPORTANT:

1. **Excessive weight warning - Both the cart and the grill are extremely heavy and this installation assembly process should be accomplished by a minimum of two people.**
2. **Sheet metal edges can be dangerous in heavy lifting situations, please wear gloves during assembly.**
3. **To lighten the grill before assembly, remove individual components box packed inside the grill.**
4. **Remove the cart from the shipping pallet before installation assembly.**

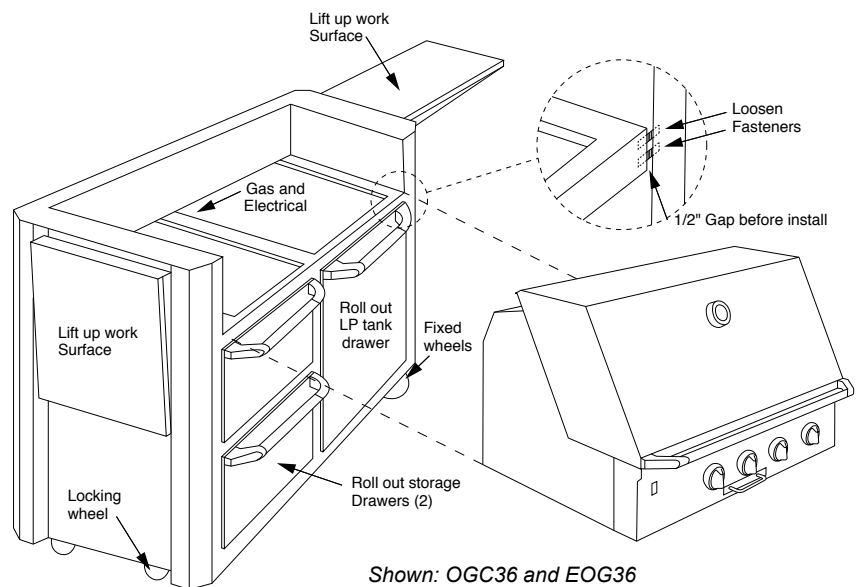


NOTES:

1. **The Dacor cart ships assembled ready for the EOG Outdoor Grill installation assembly.**
2. **All gas and electrical connections should be made after the grill is installed and bolted to the cart.**
3. **Your cart is prepared for either natural gas or liquid propane gas connections. However, it is important to verify that your EOG was ordered correctly. If you will be utilizing LP gas, your EOG grill must indicate LP in the serial tag identification. Do not proceed with assembly if the EOG model is not correct. Field conversion from one gas type to another is not recommended by Dacor.**

Assembly:

1. Remove the cart from the shipping carton and pallet.
2. Set the cart in an open location and lock the wheel on the cart to minimize potential movement. Remove the right side roll out tank drawer.
3. Loosen the two fasteners, located in the front right corner behind the horizontal support, temporarily creating a 1/2" gap between the support rail and right side panel.
4. Remove the EOG from its shipping carton and pallet. Remember to remove the individual components box to lighten the appliance.
5. Slide the EOG into the cart making sure that it is all the way back in the opening as far as possible. At this point the mounting holes under the bottom of the EOG should align with the holes in the cart supports.
6. Tighten the two fasteners that were loosened in step 3 before securing the EOG to the cart.
7. Prepare to secure the EOG to the cart by removing the left drawer. Once this is out of your way locate the two assembly bolts which are inside the EOG parts package.
8. Install the bolts, then return the left side drawer to its location.
9. Before installing the right side roll out tank drawer, install the regulator and hose on the grill drawer for final gas connection.
10. Proceed to steps 4 and 5 in the EOG installation instructions for the appropriate gas and electrical connections and step 6 to verify proper operation.
11. Install the right side slide out tank shelf.
12. Five gallon LP tanks are the largest recommended tank for installation in the rollout tank drawer.



Shown: OGC36 and EOG36
Length: 41 3/8" (1051mm), Height: 36" (914mm), Width: 26 1/4" (667mm)
Not Shown: OGC52 and EOG52
Length: 57" (1448mm), Height: 36" (914mm), Width: 26 1/4" (667mm)



NOTE:

Dacor offers a protective grill or grill/cart cover. For more information concerning these covers contact your dacor appliance dealer.

STEP 3
Gas and Electrical Supply Requirements



WARNING:

Electrical grounding instructions

This outdoor cooking gas appliance is equipped with a three-prong grounding plug for your protection against shock hazard and should be plugged into a properly grounded three-prong receptacle. Do not cut or remove the grounding prong from the plug.



NOTES:

1. If the gas or electric service provided does not meet the product specifications, do not proceed with the installation.
2. The grounding plug must not, under any circumstances, be cut or removed.
3. Check your local codes for proper method of installation. In absence of local code, this appliance should be installed in accordance with the National Fuel Gas Code ANSI Z223.1. Or CAN/CGA-B149.1, Natural Gas Installation Code or CAN/CGA-B149.2, Propane Installation Code.
4. Be certain that the appliance being installed is correct for the gas service being provided.
5. This appliance must be installed by a licensed plumber or gas fitter when installed within the Commonwealth of Massachusetts.

Electrical Supply Requirements

The EOG outdoor grills are factory-equipped with a three-prong, grounding plug.

Correct voltage, frequency and amperage must be supplied to the appliance from an isolated, grounded circuit which is protected by a properly sized circuit breaker or time-delay fuse. The required voltage, frequency, and amperage ratings are listed on the product data plate and are also shown in Table 1.

These outdoor grills must be connected to a power source with copper wire only. The use of aluminum wire may result in unsatisfactory connections.

It is the owner's responsibility to ensure that the electrical connection to this appliance is installed by a qualified electrician. The electrical installation, including minimum supply wire size and grounding, must be done in accordance with National Electric Code ANSI/NPFA 70, (or the latest revision) or Canadian Electrical Code CAN/CGA C22.1, and local codes and ordinances.

Model No.	Electrical circuit required	Total connected load	Gas type	Manifold pressure	Minimum gas supply pressure
EOG303	120VAC, 60Hz, 15A	2.9 Amps (0.35 Kw)	Natural	4" Water Column	7" Water Column
EOG303LP	120VAC, 60Hz, 15A	2.9 Amps (0.35 Kw)	Liquid Propane	11" Water Column	12" Water Column
EOG36	120VAC, 60Hz, 15A	2.9 Amps (0.35 Kw)	Natural	4" Water Column	7" Water Column
EOG36LP	120VAC, 60Hz, 15A	2.9 Amps (0.35 Kw)	Liquid Propane	11" Water Column	12" Water Column
EOG52	120VAC, 60Hz, 15A	2.9 Amps (0.35 Kw)	Natural	4" Water Column	7" Water Column
EOG52LP	120VAC, 60Hz, 15A	2.9 Amps (0.35 Kw)	Liquid Propane	11" Water Column	12" Water Column
EOSB162	120VAC, 60Hz, 15A	2.9 Amps (0.35 Kw)	Natural	4" Water Column	7" Water Column
EOSB162LP	120VAC, 60Hz, 15A	2.9 Amps (0.35 Kw)	Liquid Propane	11" Water Column	12" Water Column

Table 1:
 Electrical and Gas Supply Requirements

Total connected loads noted above include the ignition system, interior lights, and rotisserie motor. Rotisserie motor should be plugged into the same grounded outlet power source on the same line as the grill.

Install 120VAC, 15 Amp duplex outlet in an accessible location under the grill inside the base enclosure. Refer to Base Enclosure planning cutout dimensions for recommended utilities locations.



NOTE:

Supply access for the rotisserie power or an alternate 120VAC duplex outlet location.

STEP 3

Gas and Electrical Supply Requirements



WARNINGS:

1. The maximum gas supply pressure to the regulator must not exceed 1/2 pound per square inch.
2. Verify proper gas supply has been provided. Refer to Table 1.
3. Do not apply excessive pressure when tightening connections and fittings.
4. Do not use plumber's putty or Teflon tape on gas compression connections. It can defeat the proper sealing of these fittings. Use plumber's putty or Teflon tape only on pipe thread fittings.
5. Turn all outdoor grill control valves to the "OFF" position, then turn on the gas supply. Check all supply lines and connections for leaks using a soap and water solution. Do not use a flame to check leaks. After verifying that there are no gas leaks, turn off the gas supply to the grill by turning the gas shut-off valve to the "OFF" position. Leak testing of the appliance shall be conducted according to the manufacturer's instructions.
6. For LP cylinder installations, the LP gas cylinder must have its own Certified high-pressure regulator (Either Type I or No. 600 Connection).
7. Natural gas installations will be connected to factory supplied natural gas regulator. Refer to Natural gas connections in this manual for details.
8. Inspect the gas line before and after installation. Also, inspect the line for damage before each use of the outdoor grill.



NOTES:

1. No adjustment of burner settings is required. All valves and air mixture shutters found in this appliance have been factory preset.
2. Liquid propane (LP) grills should be special ordered from the factory. Liquid propane units are identified by the "LP" designation at the end of the model number on the product identification chassis tag.
3. Under extenuating circumstances, outdoor grills may be field converted to operate on LP gas or at elevations in excess of 5,000 feet above sea level. However, field conversion must be completed by a qualified service agency and authorization must be granted by the factory prior to any field conversion.
4. To prevent damage to the gas regulator, install the regulator only after the grill is mounted in its permanent position in the enclosure or cart. Ensure the arrow on the regulator points in the direction of the gas flow towards the grill.

STEP 4

Gas Connections

Natural Gas Connections

Verify gas supply pressures are acceptable based on Table Number 1, on page 6.

The Dacor outdoor cooking products ship with a 3/4 inch nipple, regulator, and 1/2" reducer for gas supply connections.

Install a 3/4 inch (19mm) or 1/2 inch (13mm) natural gas supply line, with a shut off valve (not included with the outdoor product), in an accessible location under the appliance. Place the gas supply line and shut off valve inside the base enclosure within a reachable distance from the front access doors or open rear area of the enclosure. Refer to base enclosure planning and cutout dimensions page within this manual for additional detail.

Connect the, factory supplied, regulator and gas line nipple at the back right bottom corner of the grill. Use only approved gas line thread compound, regulators, and gas hose. Be certain the gas flow arrow on the regulator is installed with the flow in the correct direction.

Install approved flexible gas line from the regulator to the rough gas line shut off valve using the factory supplied regulator.

Check all gas connections for leaking by applying a water and soap solution. If you observe leakage (soap bubbles around any connections) do not attempt to operate the grill without correcting the leak.

STEP 4

Gas Connections (continued)

Liquid Propane (LP) Connections



WARNINGS:

1. A dented or rusty LP tank may be hazardous and should be checked by your LP supplier.
2. Never use a cylinder with a damaged valve.
3. A Portable Liquid Propane tank should be a 5 gallon, 20 lb. gas cylinder approximately 12 inches (305mm) in diameter and 18 inches (457mm) high, which must be constructed and marked in accordance with the specification for Liquid Propane (LP) gas cylinders of the U.S. Department of Transportation (DOT) and designed for use with a 5LP-A quick disconnect systems only.
4. Do not change the regulator/hose assembly with a standard 510 POL tank/valve assembly.
5. The cylinder must be provided with a shut-off valve terminating in a Liquid Propane (LP) gas supply cylinder valve outlet specified, as applicable, for connection No. 5LP-A.
6. The cylinder supply system must be arranged for vapor withdrawal and provided with a listed overfilling prevention device.
7. If the appliance is stored indoors, the cylinder must be disconnected and removed from the appliance.
8. Cylinders must be stored outdoors in a well vented area out of the reach of children.

Make sure the LP tank main valve is completely closed before proceeding with the installation.

Install the LP regulator and gas hose on the grill main gas stub at the right rear corner of the appliance. Follow all regulator and gas line instructions as noted in the warnings above.

Place the tank into the final position within the base enclosure or cart.



NOTE:

The Dacor outdoor grills are approved for installation on typical whole-house LP gas supply systems. For proper whole-house LP gas installation order Dacor part # 72601.

STEP 5

Connecting the Electrical



WARNINGS:

1. In the event of a power failure. Use Dacor supplied match lite tool.
2. Verify that the proper electrical power supply has been provided.
3. Verify that the electrical supply matches the ratings found on the appliance data plate before proceeding.
4. This appliance must be connected to a grounded, metallic, permanent wiring system. Alternatively, a grounding conductor should be connected to the grounding terminal or lead on the appliance. Failure to do so may result in an electrical shock hazard.
5. Do not use an extension cord with this appliance. Such use may result in fire, electrical shock, or other personal injury.
6. Do not install a fuse in the neutral or ground circuit. A fuse in the neutral or ground circuit may result in an electrical shock hazard.
7. Do not ground this appliance to a gas supply pipe or hot water pipe.
8. Keep any electrical supply cord and the fuel supply hose away from any heated surfaces.

STEP 5

Connecting the Electrical (continued)

Plug the factory supplied, three-prong plug located at the bottom back right corner of the grill into the grounded receptacle.

Also, install the rotisserie motor and spit at this time (Use and Care instruction for proper rotisserie installation) be sure to plug only into a grounded receptacle.

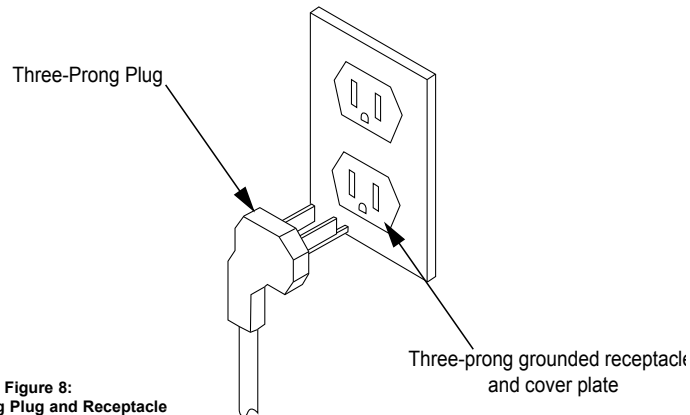


Figure 8:
Three-Prong Plug and Receptacle

STEP 6

Verifying Proper Operation



WARNINGS:

1. If the grill or cooktop fails to operate properly, ensure that the electrical power supply and gas supply are turned on and that all installation steps have been carefully followed. Call a qualified service technician if the grill still does not operate properly.
2. The grill or cooktop and shut-off valve must be disconnected from the gas supply piping during any pressure testing exceeding 1/2 psi (3.5kPA).
3. The grill or cooktop must be isolated from the gas supply piping by closing the shut-off valve during any pressure testing at or below 1/2 psi (3.5kPA).
4. The top cover (canopy) is to be closed during the outdoor cooking gas appliance pre-heat period.
5. Visually check the burner flame for carry over and proper operation.
6. Proper flame operation will show a soft blue color and stable flame.
7. Remove side burner cover before operating side burners.
8. Never place the cover over operating side burners.
9. Remove all shipping material from around side burners and side burner cover before operating side burners.

Lighting Instructions for Grills or Cooktops (Liquid Propane)

Turn ON the main tank valve, then turn all burners ON to the high position for approximately 20 seconds to allow the air in the system to purge from the grill and cooktop side burners.

Once the gas has filled the lines the automatic electronic ignition system should ignite the burner. If the system burners do not ignite within 20 seconds turn all burner controls to the OFF position and wait five minutes and attempt the ignition process again.

If the second or third attempt to ignite the burner is not successful then turn all burner controls to the OFF position. Turn off the main gas line control valve or LP tank control valve and contract your authorized Dacor service agent to schedule a service call.

When installed properly, the flame will be steady and quiet. Flame adjustment will not be necessary, all grill and side burners are factory adjusted, for proper performance.

Read and understand the accompanying Use & Care Manual prior to cooking with this appliance. The Use & Care Manual contains additional important safety, service and warranty information.

Specifications contained within are subject to change without notice. No liability is assumed for changes in specifications.

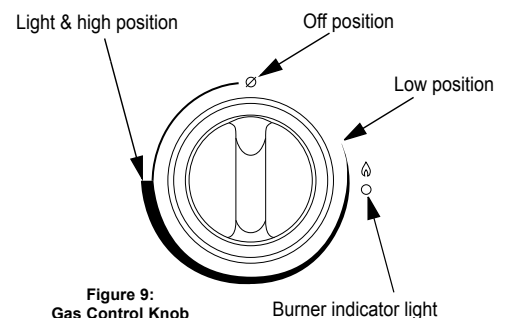


Figure 9:
Gas Control Knob

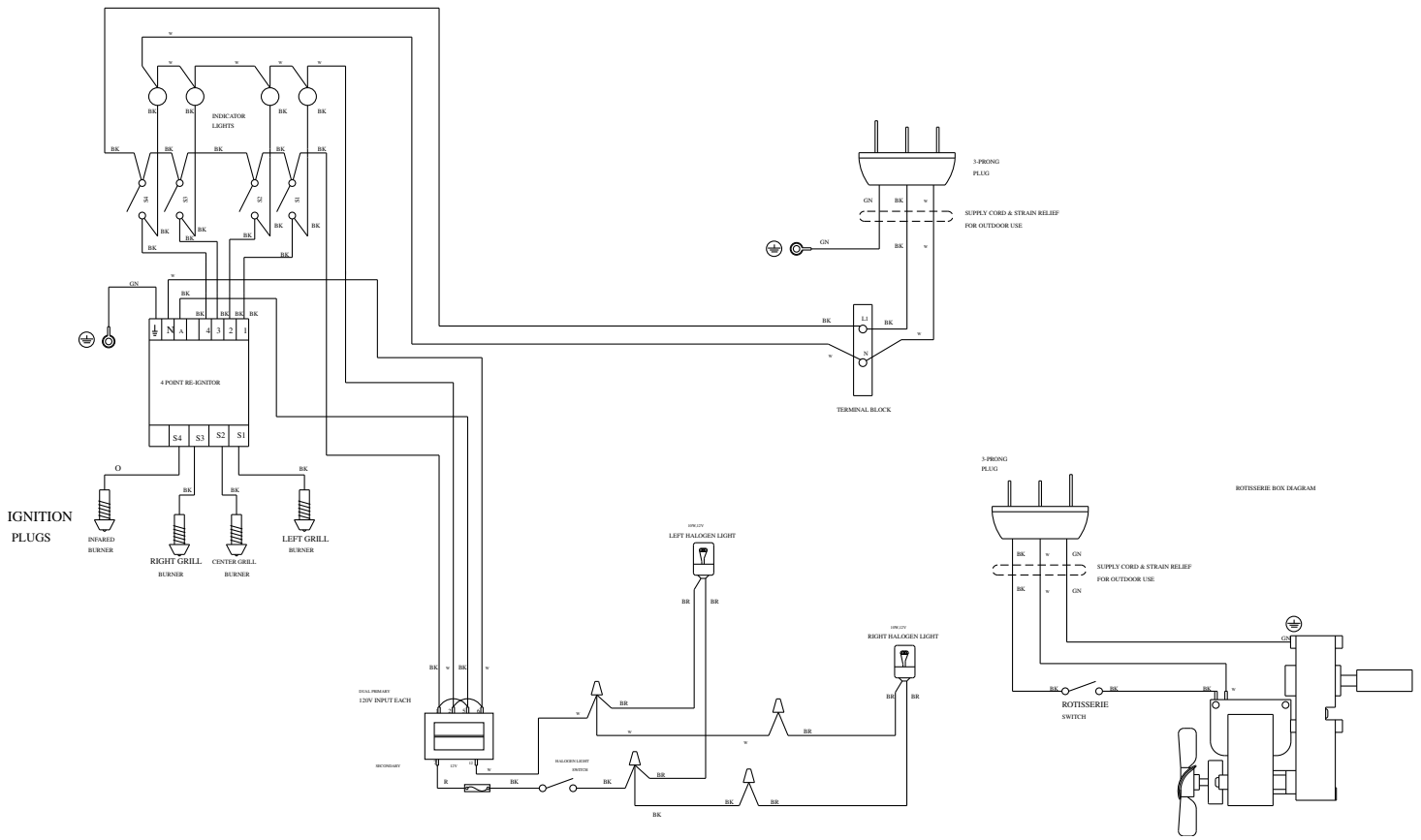


Figure 10:
EOG36 Electrical Schematic

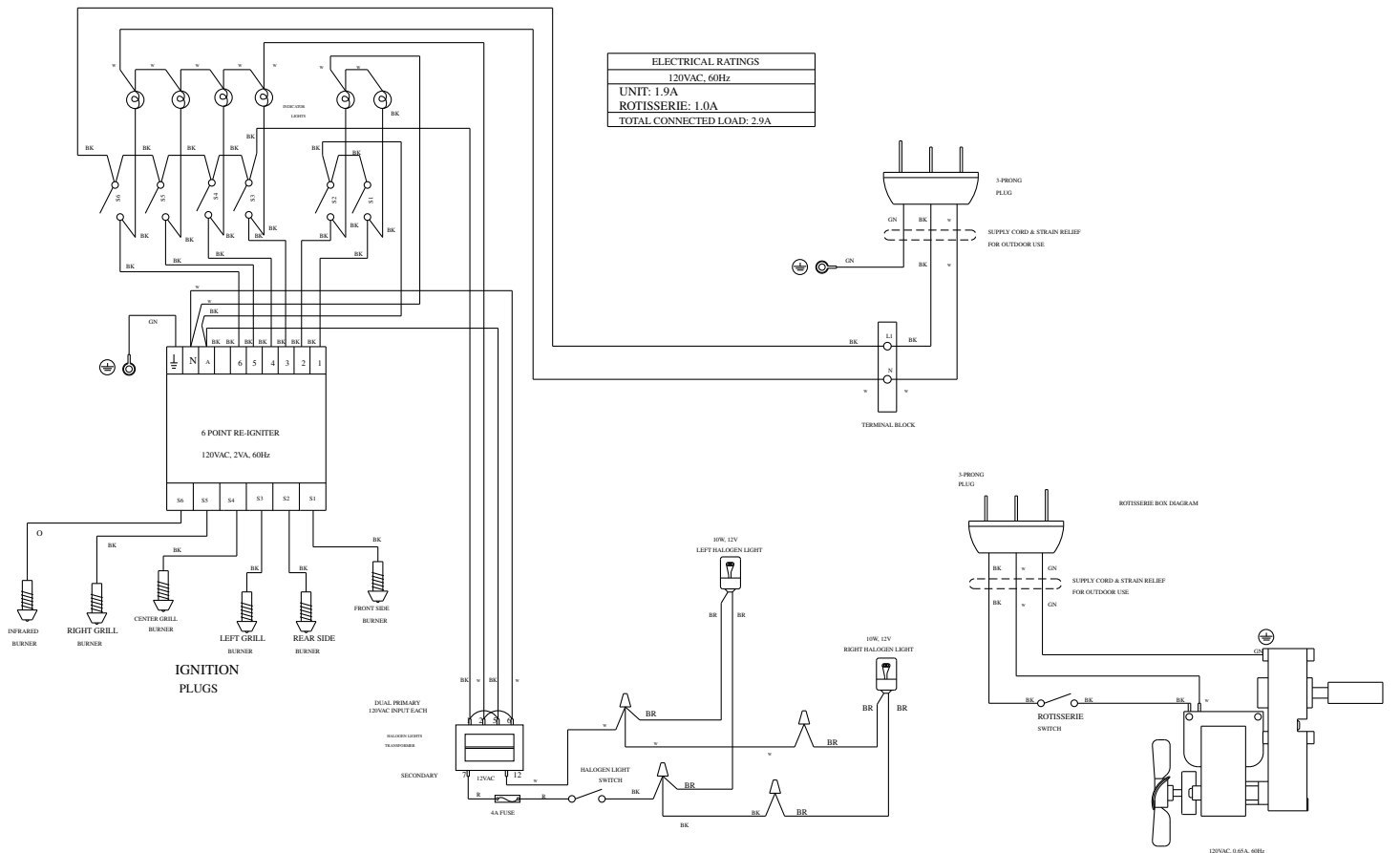


Figure 11:
EOG52 Electrical Schematic

NOTES:

NOTES:

**Specifications contained within are subject to change without notice.
No liability is assumed by DACOR for changes in specifications.**

Web Site: www.dacor.com
For a Dealer/Service: (800) 772-7778
Corporate Phone: (800) 793-0093

