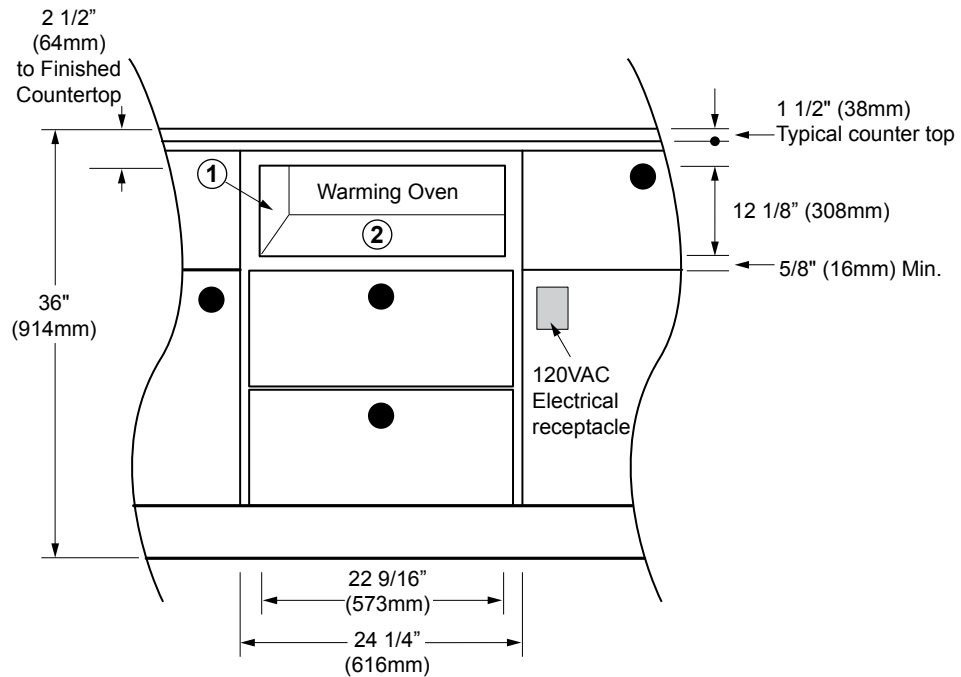


IOWO24



CUTOUT DIMENSIONS

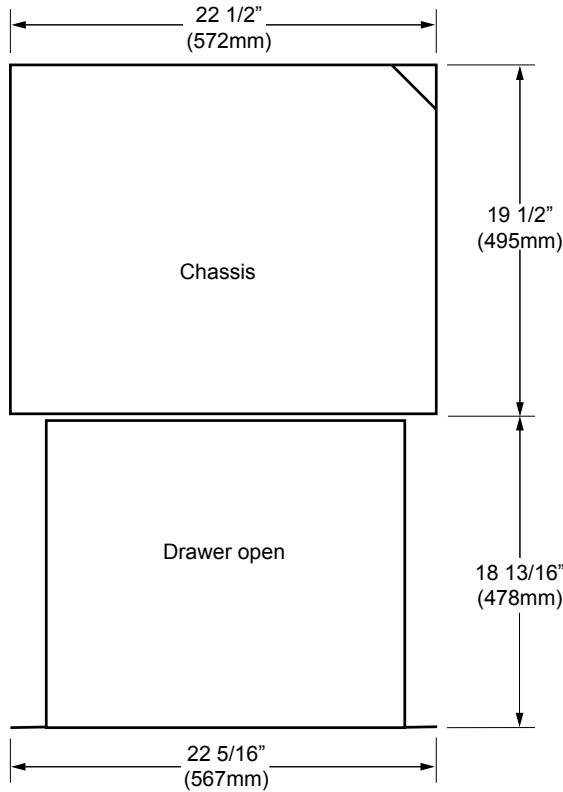
Model No.	Dedicated Circuit Required	Total Connected Load	Approximate Shipping Weight
IOWO24	120VAC, 60Hz, 15A (Breaker)	0.5kW (4A)	70 lbs.



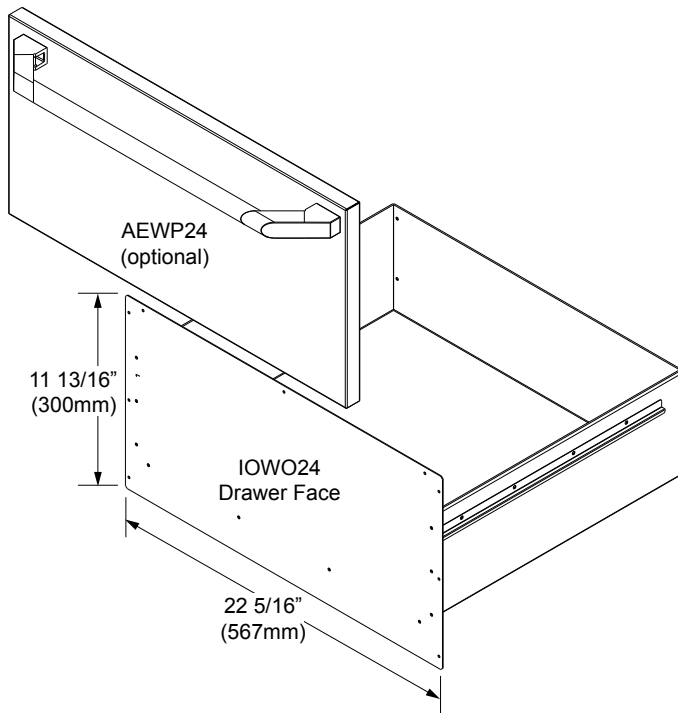
NOTES:

- 24" (610mm) minimum cabinet depth.
- 3/4" (19mm) support platform (flush with cutout).
- 1/8" (3mm) minimum clearance from appliance to adjacent cabinet doors/drawers.
- The IOWO model cannot be stacked.
- The IOWO Warming Oven is not approved for installation under a wall oven.
- The IOWO (outdoor approved) Warming Ovens are designed to receive a custom drawer front supplied by others, or for an Epicure™ front order the Epicure™ drawer front and handle accessory model number AEWP24 from your appliance dealer.

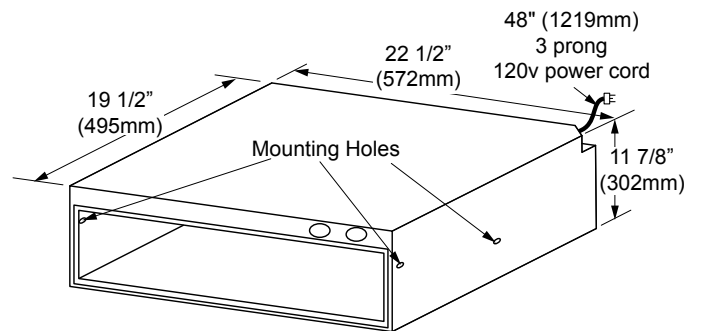
IOWO24



TOP VIEW



OVERALL DRAWER DIMENSIONS
(View with Drawer Removed)



OVERALL CHASSIS DIMENSIONS
(Chassis View Without Drawer)