



The Authority in Custom Motorized Lifts

INSTALLATION MANUAL



LIFT MODELS:

STANDARD LIFT

- 1000
- 1000.5
- 1001
- 1001.4
- 1001.5
- 1002
- 1003
- 1004
- 1005

STANDARD LIFT WITH SWIVEL

- 1000-S
- 1000.5-S
- 1001-S
- 1001.5-S
- 1002-S
- 1003-S

PLASMA LIFT

- 1000-P
- 1000.5-P
- 1001-P
- 1002-P
- 1003-P
- 1004-P

PLASMA LIFT WITH SWIVEL

- 1000-PS
- 1000.5-PS
- 1001-PS
- 1002-PS
- 1003-PS
- 1004-PS

WIDE TRAK

- 1000-W
- 1002-W
- 1003-W
- 1004-W

SLIM LIFT

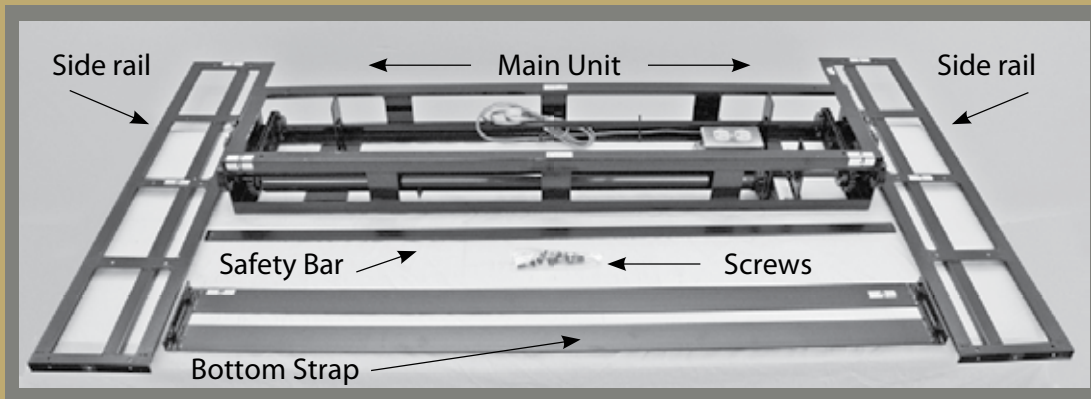
- 1001-SLM

WWW.AUTON.COM

2755 Avenue Scott | Valencia, California 91355

Phone: 661-257-9282 | Fax: 661-295-5638

E-mail: tvlifts@auton.com

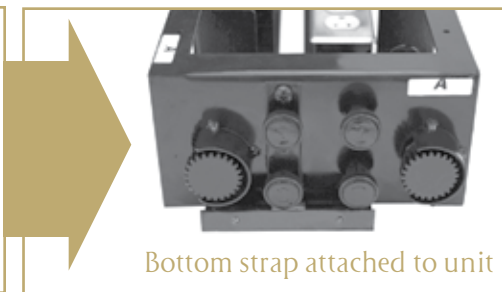
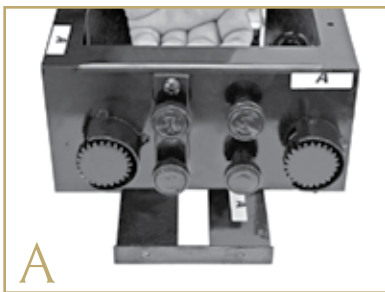


CONTENTS:

- 2 - Side rails
- 1 - Main unit
- 1 - Safety bar
- 8 - Screws
- 1 - Bottom strap
- 1 - Instruction manual
- 1 - Control box
- 1 - Remote control

STEP 1: ASSEMBLE LIFT

Use the guide below to assemble your new AUTON lift. If your unit came pre-assembled, skip to step 2.



Position main unit to bottom strap and tighten pre-inserted screw

Position side rail A lining up the gear rack over the spur gears



Secure roller attachment using 2 screws

Secure Side rail A using 2 screws. Repeat for Side rail B



CAUTION:
Keep safety bar attached until unit is installed in cabinet.



Attach safety bar to top of unit using two screws.

Fully assembled with safety bar attached

INSTALLATION SUPPORT:

We take great pride in manufacturing the best lift systems in the world. Our design and production techniques enable simple installation. In the event that you require assistance, do not hesitate to contact one of our technicians. We will be happy to answer your questions and resolve any problems you encounter during the installation process. Phone Support: 661-257-9282, ext. 104 • Email Support: tech@auton.com



CAUTION:

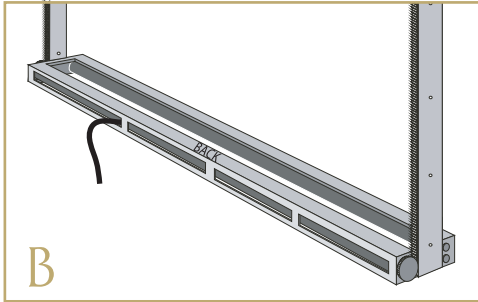
Dropping or jarring unit by hitting walls, ceilings, or other objects may cause misalignment of lift.

STEP 2: INSTALL LIFT SYSTEM INTO APPLICATION

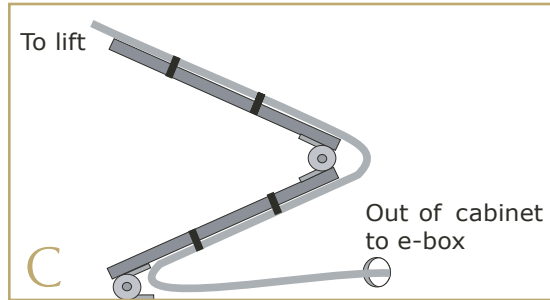
Each application may require various installation techniques. Please contact Auton for additional assistance.

PREPARATION

A. Before installing lift, determine the most appropriate method for wire management.



B. Route cables through back of lift platform, secure with wire ties



C. Attach the wires to hinged pieces of wood allowing the wires to fold neatly while staying clear of gears.



CAUTION:

If not properly installed, wires can get caught in the gears and cause damage to the lift.

INSTALLATION

A. Position the lift into the cabinet so the side rails are flush with the inside walls of your cabinet.

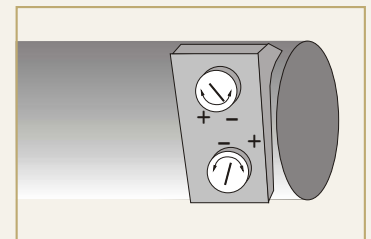
B. Mount to the inside of the cabinet using the pre-drilled holes in the side rails.
Size #8 flat head screws are recommended. Ensure screws are flush with lift surface so that they do not impede smooth operation of lift.

C. Remove the lift's installation cross bar and mount the lift platform securely to the bottom of your cabinet.

STEP 3: ADJUST LIMIT SWITCHES

The Auton lift utilizes limit switches to control your preferred positioning of the unit.

The limit switches are located on the motor. The top switch controls the lift's ending position and the bottom switch controls the lift's starting position.



A. Turn the adjusting screw with a hex key or flathead screwdriver. To prevent over-adjustment, turn screw in very small increments. Each full turn of the screw corresponds to 3/8" in travel.

B. **STARTING POSITION (down):** Turn the bottom screw clockwise to lower the lift's starting position.
Turn the screw counterclockwise to raise the lift's starting position.

C. **ENDING POSITION (up):** Turn the top screw clockwise to allow the lift to raise higher.
Turn the screw counterclockwise to lower the lift's position.

D. To test positioning run the lift approximately 6" in the opposite direction, stop and then reverse lift motion.

*If positioning requires more than 5 cycles of the lift, the built-in thermal overload protector will disable the motor to prevent overheating and possible damage. The unit will automatically re-set itself within 20-30 seconds.

STEP 4: Operation Instructions

MULTI-FUNCTION CONTROLLER

The multi-function controller operates with RF (Radio Frequency), IR (Infrared) and LV (Low Voltage) simultaneously and has 7 buttons:

- 1) Up - Press and release for up motion
- 2) Down - Press and release for down motion
- 3) Left - Press and release for swivel left motion
- 4) Right - Press and release for swivel right motion
- 5) Stop - Press and release for stop motion
- 6) Preset 1 - Press and release for Preset 1 position (See below to program position)
- 7) Preset 2 - Press and release for Preset 2 position (See below to program position)



Additional Button Functions:

- A) When in motion, press the opposite direction.
The lift will pause for 1 second and then reverse direction.
- B) When in motion, press the same button direction.
The lift will stop.
- C) When the swivel is not in center position, press the "Up" button to return to center and stay without retracting.
- D) When the swivel is not in center position, press the "Down" button to return to center and retract to "home" position.

Programming Preset Positions:

The multi-function remote has two programmable preset buttons. Use buttons 1-5 to move lift to desired position. Once there, press and hold a preset button for 5 seconds to "learn" preset position. You will hear a relay click from the receiver confirming the position has been learned. You can also repeat the procedure above to "relearn" a different preset position. Easily override the preset position by using the swivel buttons to move the swivel to another desired position.

