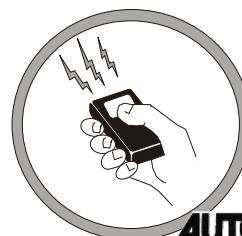
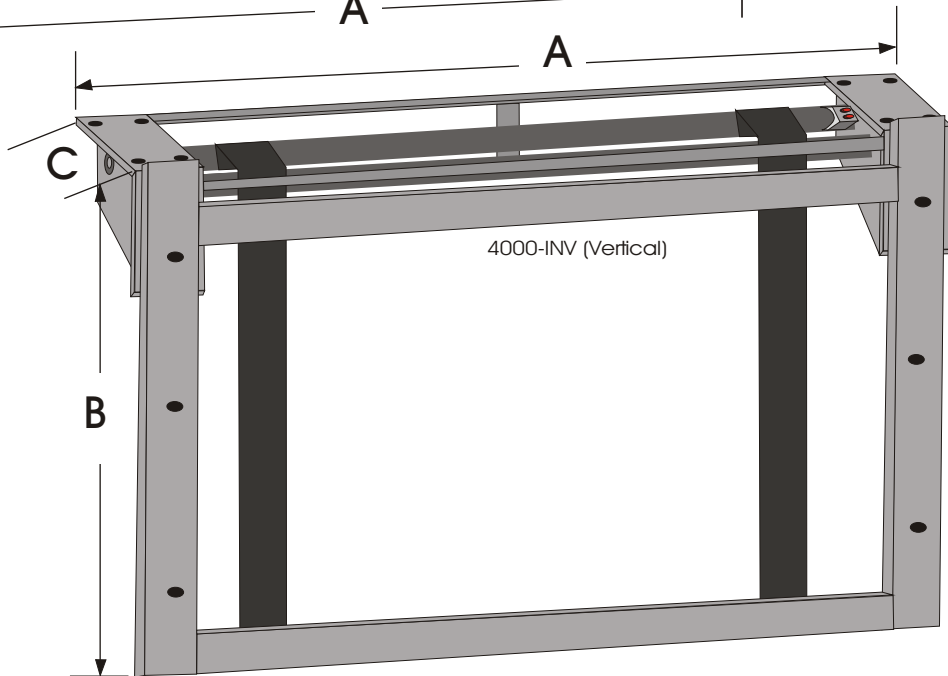
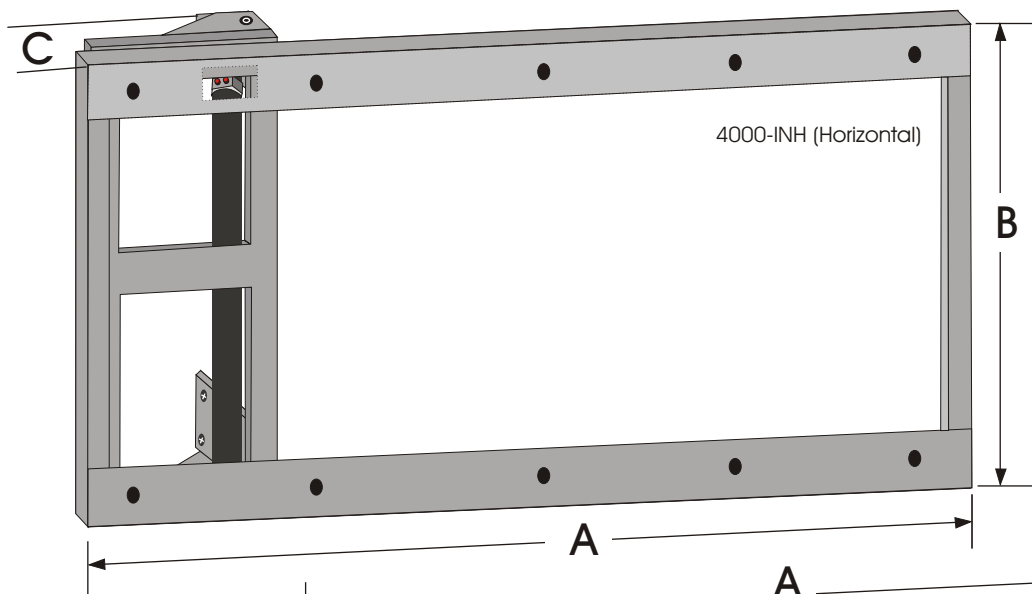


AUTON MOTORIZED INVIS-O-TRAK SERIES



AUTON POP UP TV LIFTS

AUTON MOTORIZED SYSTEMS
 2755 AVENUE SCOTT
 VALENCIA, CA 91355
 661.257.9282
 FAX 661.295.5638
 BEVERLY HILLS 310.659.1718
 E-MAIL: tvlifts@auton.com
 INTERNET <http://www.auton.com>

- Since 1955
- Inventor - Rack & Pinion TV Lift
- World's Oldest & Largest Manufacturer of TV Lifts
- Ready for Quick, Easy Installation
- Welded Steel Construction for Maximum Strength
- Smooth Rack & Pinion Operation
- Optional Controllers for this Model:
 - Radio Remote (S4P-RF)
 - Infrared Remote (S4P-IR)
 - Low Voltage/Dry Contact Control (LV56)
 - Momentary Rocker Switch (RS-3MO)
 - Maintain Rocker Switch (RS-3MA)
 - Current Sensor (S4P-CS)

EFFECTIVE: June 01, 2005

ALL MEASUREMENTS IN INCHES

Model	A		B		C	D (Travel)	Load Max
4000-INH	11 to 72	*	30 to 80	*	6	A - 11	50 Lbs
4000-INV	30 to 80	*	11 to 80	*	6	B - 11	100 Lbs

* Please specify dimensions (A) & (B) required

Travel equals A or B minus 11"

© AUTON MOTORIZED SYSTEMS 2005